



1 January 2004

*Sponsored by OSD (SO/LIC) and funded by the  
Defense Security Cooperation Agency (DSCA)*

The Iraq Ordnance Identification Guide supports the U.S. Department of Defense humanitarian mine action program. This guide provides information to facilitate international unexploded ordnance (UXO) awareness and identification. This guide is not intended for use by Explosive Ordnance Disposal (EOD) technicians. Rather, it is designed for other personnel who, of necessity, are trying to identify ordnance in the absence of trained EOD military professionals.

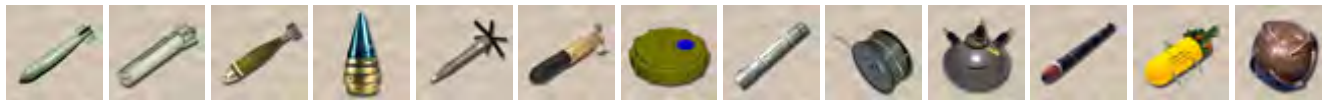


*Prepared by the Naval  
Explosive Ordnance  
Technology Division*



# TABLE OF CONTENTS

---



## Soviet Ordnance Terms

	<u>Page</u>
Ammunition Filler Codes.....	1
General Ordnance Markings.....	2
Projectile Suffixes.....	3
Soviet Projectile Weight Classifications .....	3
Caliber of using weapons identified by third- component numbers of the model code.....	4
Model Markings for Mines.....	4
Typical Mine Markings .....	5
Typical Bomb Markings .....	5
Transliteration of Russian Alphabet .....	6

## Foreign Projectile Terms

Russian .....	7
Arabic.....	10
Chinese .....	16

## Markings

Alphanumeric markings .....	19
Graphic Symbols .....	23
Map of Iraq.....	24

## Safety and General Information

Bomb.....	25
Dispenser .....	27
Projectile .....	28
Grenade .....	30

## Safety and General Information – continued

	<u>Page</u>
Fuze.....	32
Rocket .....	33
Guided Missile .....	34
Landmine .....	36
Naval Mine .....	39
Depth Charge, Sound Signal & Marker.....	41
Scatterable.....	42

## Ordnance Information

## Pages

### Volume 1

Bombs .....	1 – 46
Dispensers, Clusters & Launchers .....	1 – 16
Projectiles .....	1 – 211

### Volume 2

Fuze/Firing Device .....	1 – 139
Grenade.....	1 – 25
Rocket .....	1 – 49
Guided Missile .....	1 – 40
Landmine .....	1 – 37
Pyrotechnic .....	1 – 7
Misc Explosive Device.....	1 – 7
Naval Mine .....	1 – 7
Depth Charge or Other Underwater.....	1 – 2
Scatterable.....	1 – 19
Weapons System .....	1 – 1

## MISCELLANEOUS INFORMATION

This guide provides ordnance identification information for approximately 1200 ordnance items. The Iraq Ordnance Identification Guide supports the U.S. Department of Defense humanitarian mine action program. This guide provides information to facilitate international unexploded ordnance (UXO) awareness and identification. This guide is not intended for use by Explosive Ordnance Disposal (EOD) technicians. Rather, it is designed for other personnel who, of necessity, are trying to identify ordnance in the absence of trained EOD military professionals.

- Each weapon category is sorted by diameter (mm).
- Due to space restrictions, a maximum of seven (7) "ordnance used with" entries will be shown. On certain ordnance this list will be incomplete.
- If available, the N.E.W. (Net Explosive Weight) is listed underneath the "ordnance used with" section.

A special thanks to ARDEC EOD Technology Division (Foreign Ordnance Branch), NAVEODTECHDIV In-Country Exploitation and Imaging team members!

## DISCLAIMER/WARNING

Demining/unexploded ordnance (UXO) clearance operations are extremely hazardous and subject personnel involved to significant risk of serious injury or death. By its very nature, UXO is unpredictable and each incident presents unique problems that cannot be addressed in a general guide. While this product provides the best available information for identification of ordnance, the developers accept no legal responsibility for damage or injury to personnel or property resulting from its use.

The safe and effective use of the information in this guide assumes a certain level of technical competence in its target audience. At a minimum, users must be trained in general ordnance explosive safety and demolition procedures.

Use this information at your own risk!

# SOVIET ORDNANCE TERMS

## Ammunition Filler Codes

Marking	Meaning
A	Amatol (100% Ammonium Nitrate)
A-40	Amatol (40% Ammonium Nitrate, 60% TNT)
AT-40	Amatol (40% Ammonium Nitrate, 60% TNT Pressed)
A-80	Amatol (80% Ammonium Nitrate, 20% TNT)
AT-90	Amatol (90% Ammonium Nitrate, 10% TNT)
ATФ 40	TNT (40% Ammonium Nitrate, 60% TNT Pressed)
A-IX-1	RDX 94%, Wax 6%
A-IX-2	RDX 73%, Aluminum 23%, Wax 4%
A-IX-20	RDX 78%, Aluminum 19%, Wax 3%
A-IX-Π	RDX with unknown suffix "i=P"
ДБ	Dinitrobenzol
ДБТ	Dinitrobenzene and TNT
Г	Hexogen (cyclonite, RDX)
ГАИ-30	RDX 30%
З	Incendiary
М	Picric Acid
МС	TNT, Aluminum, RDX
К-1	TNT 70%, Dinitrobenzene 30%
К-2	TNT 80%, Dinitrobenzene 20%
ОКТОГЕН	HMX
ОКФОЛ	HMX 95%, wax 5% (normal composition)
ОКТОЛ	HMX and TNT
ОЛ	HMX 95%, wax 5% (normal composition)
ПВВ-5А	Plastic Explosive

Marking	Meaning
Т	Trotyl (TNT)
Т-80	TNT 70%, RDX 30%
ТГ	TNT and RDX
ТГ-30	TNT 30%, Hexogen (RDX) 70%
ТГ-50	TNT 50%, Hexogen (RDX) 50%
ТГАФ-5	TNT 40%, RDX 40%, Aluminum 20%
ТГАГ-5	TNT 60%, RDX 20%, Aluminum 15%, Wax 5%
ТД-42	TNT 42%, Dinitronaphthalene 58%
ТД-50	TNT 50%, Dinitronaphthalene 50%
ТДУ	TNT with spotting charge
ТС	TNT sulfite
Ш	Schneiderite (Ammonium Nitrate 88%, Napthalene)
ШТ	Schneiderite and TNT
Р-4	White and Yellow Phosphorus
Р-5	Mustard gas (H)
РС	Lewisite gas (L)
РЮ	Phosgene gas (CG)
Р-15	Adamsite gas (DM)
Р-2	Hydrogen Cyanide gas (AC)
Р-35	Sarin gas (GB)
Р-43	Lewisite gas (L)
Р-55	Soman gas (GD)
Р-74	Mustard gas (H)
РК-7	Mustard/Lewisite mixture (H+L)

# SOVIET ORDNANCE TERMS

## General Ordnance Markings

Cyrillic	English	Meaning
А	A	Propaganda or fragmentation
Б	B	Armor-Piercing
З	Z	Incendiary
Р	R	Tracer
БР	BR	Armor-Piercing, Tracer
БЗ	BZ	Armor-Piercing, Incendiary
БЗА	BZA	Armor-Piercing, Incendiary (improved)
БЗР	BZR	Armor-Piercing, Incendiary Tracer
БМ	BM	Armor-Piercing Discarding Sabot (fin or Spin Stabilized)
БП	BP	HEAT Spin Stabilized
БК	BK	HEAT Fin Stabilized
Д	D	Smoke
ДЦ	DTs	Target Marker Smoke
О	O	Fragmentation (Oskolochno)
Ф	F	High Explosive (Fugaasnymi)
ОФ	OF	Fragmentation, High Explosive
Г	G	Concrete-Piercing
ОГ	OG	Fragmentation (launched grenades)
ОФР	OFR	Fragmentation, High Explosive, Tracer
ОФЗТ	OFZT	Fragmentation, High Explosive, Incendiary, Tracer
ОР	OR	Fragmentation, Tracer
ОЗ	OZ	Fragmentation, Incendiary
ОХ	OKh	Fragmentation, Gas

Cyrillic	English	Meaning
ПБР	PBR	Armor-Piercing, Target Practice
ПГ	PG	HEAT (launched grenades)
ПУ	PU	Target Practice
РПО	RPO	Infantry Flame Weapon
С	S	Illumination
СП	SP	Solid Shot, Armor-Piercing
Ш	Sh	Shrapnel
Щ	Shch	Canister
Х	Kh	Gas
ИНЕРТ	INERT	Inert
МАКЕТ	MAKET	Model
ОСКОЛ	OSKOL	Fragmentation
ПРАКТ	PRACT	Practice

# SOVIET ORDNANCE TERMS

---

## Projectile Suffixes

Cyrillic	English	Meaning
А	A	Cast Iron
Б	B	Improved Projectile (Mostly AP Types)
Д	D	Improved Projectile (Mostly AP Types)
ДУ	DU	Improved Projectile (Mostly Frag Types)
Ж	Zh	Sintered Iron Rotating Band
К	K	Improved Projectile (Mostly AP Types)
М	M	Usually HEAT Projectile (Copper Liner)
Н	N	Improved Projectile (Mostly Frag)
П	P	Usually Improved HVAP Projectile
ПК	PK	Usually Improved HVAP Projectile
С	S	Improved HEAT Projectile
СП	SP	Improved AP Projectile
У	U	Usually Improved AP Projectile
УМ	UM	Improved HEAT Projectile

## Soviet Projectile Weight Classifications

Symbol	Meaning
ПГ	Greater than 3% below standard
----	2.33% to 3% below standard
---	1.66% to 2.33% below standard
--	1% to 1.66% below standard
-	0.33% to 1% below standard
Н	0.33% below to 0.33% above standard
+	0.33% to 1% above standard
++	1% to 1.66% above standard
+++	1.66% to 2.33% above standard
++++	2.33% to 3% above standard
ТЖ	Greater than 3% above standard

## SOVIET ORDNANCE TERMS

### Caliber of using weapons identified by third-component numbers of the model code.

Third-Component Number	Weapon Caliber	Third-Component Number	Weapon Caliber
132	25-mm	883	107-mm (recoilless gun)
167	37-mm	1*, 3*, 5*, 6*	115-mm
240, 243	45-mm	843	120-mm (mortar)
822	50-mm (mortar)	3*, 5*, 6*, 460, 462, 463, 471, 472	122-mm
271, 281	57-mm	482	130-mm
343, 344, 350, 352, 353, 354, 355, 356, 361, 363, 364	76-mm	501, 530, 533, 534, 536, 540, 542, 543, 544, 545, 551	152-mm
832	82-mm (mortar)	852, 853	160-mm (mortar)
881	82-mm (recoilless gun)	23*, 572	180-mm
1*, 365, 366, 367	85-mm	620, 621, 624, 625	203-mm
412, 415	100-mm	864	240-mm (mortar)
420, 422, 423, 425	107-mm	674, 675	280-mm
841	107-mm (mortar)	724	305-mm

\* Denotes an observed deviation from established three-number system.

**EXAMPLE: OF-412=Fragmentation, High Explosive, 100mm**

### Model Markings for Mines

Cyrillic	English	Meaning
Б	B	Large or Paper
В	V	Fuze
Д	D	Wooden
Э	E	Electrical
З	Z	Obstacle
К	K	Shaped Charge
М	M	Mine, Metal, or Improved
Н	N	Anti-Handling, Tread Operated, or Directional
О	O	Fragmentation or Obstacle
П	P	Anti-Personnel or Plastic
С	S	Self Destruct or Booby-Trap
Т	T	Anti-Tank
У	U	Training
Ф	F	Explosive, FAE, or Dropped
Х	Kh	Chemical
Ч	Ch	Clockwork or Timer
Ш	Sh	Tilt Rod
Я	Ya	Box (Old Designation) or Anchored
Р	R	Water

# SOVIET ORDNANCE TERMS

---

## Typical Mine Markings

Cyrillic	English	Meaning
МВЗ	MVZ	Mine Fuze Pressure Operated
ЯМ	YaM	Anti-Tank Mine Wooden (Old Designation)
МППМ	MPM	Mine-Bullet-Improved
ЭХЗ	EkhZ	Electric Chemical Fuze
ЧЗ	ChZ	Clockwork/Timer Fuze
МВЧ	MVCh	Clockwork Mine Fuze
УВ	UV	Pull Fuze
МВШ	MVSh	Mine Fuze Tilt-Rod
ОЗМ	OZM	Fragmentation Obstacle Mine
ТМД-Б	TMD-B	Anti-Tank Wooden Cased
ЗТ	ZT	Time Fuze Igniter
МУВ	MUV	Mine Fuze Pull
ТМК	TMK	Anti-Tank Mine With Shaped Charge
ПМД	PMD	Anti-Personnel Mine Wooden Cased
ПОМЗ	POMZ	Anti-Personnel Mine Obstacle
ПМН	PMN	Anti-Personnel Mine Tread Operated
ВПФ	VPF	All Ways Acting Fuze
ТМБ	TMB	Anti-Tank Mine Paper Cased
ТМ	TM	Anti-Tank Mine
МВ	MV	Mine Fuze Pressure Operated
МВМ	MVM	Mine Fuze Improved
МВН	MVN	Mine Fuze Magnetic Influence
ТМН	TMN	Anti-Tank Mine With Anti-Handling Fuze
МОН	MON	Mine Fragmentation Directional

## Typical Bomb Markings

Cyrillic	English	Meaning
ФАБ	FAB	General Purpose, High Explosive
ОФАБ	OFAB	General Purpose, Frag-HE
БРАБ	BRAB	Semi-Armor Piercing
БЕТАБ	BETAB	Armor Piercing
ПТАБ	PTAB	Anti-Tank
МАБ	MAB	Light-Case Blast
АО	AO	Fragmentation
ЗАБ	ZAB	Incendiary
РРАБ	RRAB	Container (Cluster)
ХАБ	KhAB or ChAB	Chemical
КРАБ	KRAB	Toxic Smoke
ДАБ	DAB	Incendiary Smoke
ОДАБ	ODAB	Fuel Air Explosive
ФОТАБ	FOTAB	Photo Flash
АНАБ	ANAB	Marker Float
АБ	AB	Propoganda
ДС	DS	Rocket Assisted
АОХ	AOKh or AOCh	Frag-Chemical
САБ	SAB	Flare
АГИТАБ	AGITAB	Leaflet



# SOVIET ORDNANCE TERMS

## Transliteration of Russian Alphabet

Russian		English		Russian		English		Russian		English	
А	а	A	a	Л	л	L	l	Ц	ц	Ts	ts
Б	б	B	b	М	м	M	m	Ч	ч	Ch	ch
В	в	V	v	Н	н	N	n	Ш	ш	Sh	sh
Г	г	G	g	О	о	O	o	Щ	щ	Shch	shch
Д	д	D	d	П	п	P	p	Ъ	ъ	(")	(")
Е	е	Ye, E	ye, e <sup>1</sup>	Р	р	R	r	Ы	ы	Y	y
Ж	ж	Zh	zh	С	с	S	s	Ь	ь	(')	(')
З	з	Z	z	Т	т	T	t	Э	э	E	e
И	и	I	i	У	у	U	u	Ю	ю	Yu	yu
Й	й	Y	y	Ф	ф	F	f	Я	я	Ya	ya
К	к	K	k	Х	х	Kh	kh				

<sup>1</sup>ye initially, after vowels, and after **ъ, ь**; e elsewhere. When written as **ë** in Russian, translate as **yë** or **ë**. Use of diacritical marks is preferred, but such marks may be omitted when expediency dictates.

## FOREIGN PROJECTILE TERMS

---

### Russian

Аматол	-----	<b>Amatol</b>
Боевой	-----	<b>Live</b>
Боевые припасы	-----	<b>Ammunition</b>
Бомба	-----	<b>Bomb</b>
Бронебойный	-----	<b>Armor-piercing</b>
Взведенный	-----	<b>Armed</b>
Взрыв	-----	<b>Explosion; burst</b>
Взрыватель	-----	<b>Fuze</b>
Радиовзрыватель	-----	<b>Proximity fuze</b>
Взрывчатое вещество (ВВ)	-----	<b>Explosive</b>
Головное зарядное отделение	-----	<b>Warhead</b>
Граната	-----	<b>Grenade; shell</b>
Детонатор	-----	<b>Detonator</b>
Дистанционная трубка	-----	<b>Time fuze</b>
Дымовой	-----	<b>Smoke (adj)</b>
Зажигательный	-----	<b>Incendiary</b>
Зажигательный пристрелочный	-----	<b>Incendiary ranging</b>
Замедление	-----	<b>Delay</b>

## FOREIGN PROJECTILE TERMS

---

### Russian - Continued

Запальник	-----	<b>Igniter</b>
Кумулятивный бронепрожигающий	-----	<b>High-explosive antitank</b>
Кумулятивный заряд	-----	<b>Shaped charge</b>
Кумулятивный снаряд	-----	<b>Shaped-charge projectile</b>
Марка	-----	<b>Mark; stamp; model</b>
Мгновенный	-----	<b>Instantaneous</b>
Мина	-----	<b>Mortar projectile; mine</b>
Миномет	-----	<b>Mortar</b>
Наконечник	-----	<b>Cap</b>
Незаряженный	-----	<b>Inert; empty</b>
Неконтактный взрыватель	-----	<b>Proximity fuze</b>
Окончательно снаряженный (ок. сн., ок. снар.)	-----	<b>Fuzed</b>
Опасно ВВ	-----	<b>Danger! Explosives</b>
Осветительный	-----	<b>Illuminating</b>
Осветительный снаряд	-----	<b>Flare; illuminating shell; star shell</b>
Осколочный (оск., оско.)	-----	<b>Fragmentation; antipersonnel</b>
Подрывной	-----	<b>Demolition</b>

## FOREIGN PROJECTILE TERMS

---

### Russian - Continued

Предохранитель	-----	<b>Safety</b>
Противопехотный	-----	<b>Antipersonnel</b>
Противотанковый	-----	<b>Antitank</b>
Ракета	-----	<b>Rocket</b>
Ракетный снаряд	-----	<b>Rocket projectile</b>
Снаряд	-----	<b>Projectile; shell</b>
Тетрил	-----	<b>Tetryl</b>
Тетритол	-----	<b>Tetrytol</b>
Тринитротолуол	-----	<b>Trinitrotoluene</b>
Тритонал	-----	<b>Tritonal</b>
Тротил	-----	<b>Trinitrotoluene; trotyl</b>
Трубка	-----	<b>Fuze; tube; pipe</b>
Ударный	-----	<b>Impact (adj)</b>
Усилитель детонатора	-----	<b>Booster</b>
Фосфор	-----	<b>Phosphorus</b>
Фугасный	-----	<b>High explosive</b>
Химический	-----	<b>Chemical; gas</b>
Циклонит	-----	<b>Cyclonite</b>
Чувствительный	-----	<b>Sensitive</b>

# FOREIGN PROJECTILE TERMS

---

## Arabic

0	-----	٠
1	-----	١
2	-----	٢ / ٢
3	-----	٣ / ٣
4	-----	٤
5	-----	٥
6	-----	٦
7	-----	٧
8	-----	٨
9	-----	٩
10	-----	١٠
11	-----	١١
20	-----	٢٠

## FOREIGN PROJECTILE TERMS

### Arabic - Continued

<b>antiaircraft</b> -----	مضاد للطائرات (م/ط)
<b>antipersonnel</b> -----	مضاد للأشخاص (م/أ)
<b>antitank</b> -----	مضاد للدبابات (م/د)
<b>armor-piercing</b> -----	ثاقب المدرع (ث/م) • ثاقب (ث)
<b>bomb (aircraft)</b> -----	قنبلة (قن)
<b>bomb (mortar)</b> -----	بمبة
<b>delay</b> -----	تعويق
<b>electrical</b> -----	كهربائية • كهربائي
<b>explosive</b> -----	أنفجار

## FOREIGN PROJECTILE TERMS

### Arabic - Continued

<b>fuze</b> -----	. طابية . صمامة
<b>base fuze</b> -----	. صمامة القاعدة
<b>fuze cap</b> -----	. غطاء الصمامة
<b>delay fuze</b> -----	. صمامة تعوييق
<b>electrical fuze</b> -----	. صمامة كهربائية
<b>base fuze</b> -----	. صمامة مصادة
<b>instantaneous fuze</b> -----	. صمامة فورية . طابية لحظية
<b>mechanical-time fuze</b> -----	. صمامة آلية زمنية
<b>point fuze</b> -----	. صمامة الرأس
<b>quick fuze</b> -----	. صمامة سريعة
<b>safety fuze</b> -----	. طابية الامن
<b>time fuze</b> -----	. طابية زمنية

## FOREIGN PROJECTILE TERMS

### Arabic - Continued

<b>grenade</b> -----	قنبلة .
<b>handgrenade</b> -----	قنبلة يدوية .
<b>high explosive</b> -----	شديد الانفجار (ش/ف) . متفجرة .
<b>illumination</b> -----	مضية .
<b>impact</b> -----	مصادمة .
<b>incendiary</b> -----	حارق .
<b>inert</b> -----	خامد .
<b>instantaneous</b> -----	لحظية .
<b>mine</b> -----	لغم .
<b>model</b> -----	نموذج . طراز .
<b>mortar</b> -----	هاون (ها) .



## FOREIGN PROJECTILE TERMS

### Arabic - Continued

<b>projectile</b> -----	قنبلة . مقذوف . قذيفة .
<b>illumination projectile</b> -----	مقذوف مضية .
<b>AP projectile</b> -----	مقذوف ثاقب المدرع .
<b>concrete-piercing</b> -----	مقذوف ثاقب خرسانة .
<b>HE projectile</b> -----	مقذوف شديد الانفجار .
<b>HEAT projectile</b> -----	مقذوف ذات حسنة جوفاء قذيفة جوفاء
<b>incendiary projectile</b> -----	مقذوف حارق .
<b>practice projectile</b> -----	مقذوف تمرين .
<b>smoke projectile</b> -----	مقذوف دخان .
<b>tracer projectile</b> -----	مقذوف بكاشف .

## FOREIGN PROJECTILE TERMS

---

### Arabic - Continued

rocket

-----

. صاروخ

smoke

-----

. دخان

tracer

-----

. كاشف . خطاطة

type

-----

. طراز . نوع

year

-----

. عام . سنة

# FOREIGN PROJECTILE TERMS

---

## Chinese

一	-----	1
二	-----	2
三	-----	3
四	-----	4
五	-----	5
六	-----	6
七	-----	7
八	-----	8
九	-----	9
十	-----	10
十	-----	11
一百 or 百	-----	100
杀	-----	Antipersonnel

# FOREIGN PROJECTILE TERMS

## Chinese - Continued

杀爆变铜	-----	Antipersonnel HE fragmentation
彈底信管	-----	Base-detonating fuze
黑火药	-----	Black-powder
延	-----	Delayed Action (fire)
炸藥	-----	Explosive
輕放	-----	Fragile (no rough handling)
杀爆	-----	Fragmentation
信管	-----	Fuze
破壞藥	-----	High explosive
曳石破	-----	High Explosive Antitank (HEAT)
碰炸信管	-----	Impact fuze
燒夷彈	-----	Incendiary shell
	-----	Black incendiary (thermite)

## FOREIGN PROJECTILE TERMS

### Chinese - Continued

瞬發信管	Instantaneous fuze
迫擊炮彈	Mortar shell
瞬	Nondelay
彈頭信管	Point-detonating fuze
彈豆 or 彈丸 or 炮彈	Projectile
火箭	Rocket
破	Shaped charge
短時延期信管	Short-delay fuze
煙藥彈	Smoke shell
定時信管	Time fuze
梯恩梯 / 茶褐火藥	TNT
式	Type

# MARKINGS

Below is a list of common alphanumeric markings that may be found on ordnance.

Alphanumeric Markings	Country
9M	USSR
AA	USSR
AK	NETHERLANDS
AMA	DENMARK
AMC	FRANCE
APX	FRANCE
ARF	ITALY
ARGES	AUSTRIA
ARS	FRANCE
AS	FRANCE
AS	USSR
ASS	FRANCE
AT	USSR
ATM	NORTH KOREA
AZDM	GERMANY (FEDERAL REPUBLIC POST WWII)
AZZ	GERMANY (FEDERAL REPUBLIC POST WWII)
BAE	UNITED KINGDOM
BCK	GERMANY (FEDERAL REPUBLIC POST WWII)
BCK	GERMANY (PRE WWII)
BK	USSR
BL	FRANCE
BMP	BELGIUM
BPD	ITALY
BR	SPAIN
BR	USSR
BRP	SPAIN
BT	FRANCE
C	CANADA

Alphanumeric Markings	Country
CAA	CHINA
CIS	SINGAPORE
CSA	CHINA
CSS	CHINA
CSSC	CHINA
DM	GERMANY (FEDERAL REPUBLIC POST WWII)
DM	GERMANY (FEDERAL REPUBLIC POST WWII)
DYNAMITE NOBEL	GERMANY (FEDERAL REPUBLIC POST WWII)
EAB	FRANCE
ECIA	SPAIN
ECN	FRANCE
ECP	FRANCE
EF	SINGAPORE
EHD	BELGIUM
EM	CHINA
ET	CHINA
ET	USSR
EURO	NETHERLANDS
EVR	CZECHOSLOVAKIA
F	CHILE
F	SWEDEN
F	USSR
FAB	USSR
FB	CHILE
FB	ITALY
FERRANTI	UNITED KINGDOM
FFR	SWEDEN
FFV	SWEDEN
FL	NETHERLANDS
FMK	ARGENTINA

## MARKINGS

Alphanumeric Markings	Country
<b>FN</b>	BELGIUM
<b>FROG</b>	USSR
<b>FrSv</b>	CZECHOSLOVAKIA
<b>FUI</b>	FRANCE
<b>GIAT</b>	FRANCE
<b>gts</b>	CZECHOSLOVAKIA
<b>H</b>	FRANCE
<b>HBS</b>	UNITED KINGDOM
<b>HGC</b>	IRAQ
<b>HGE</b>	IRAQ
<b>HE</b>	IRAQ
<b>HP</b>	AUSTRIA
<b>IMB</b>	UNITED KINGDOM
<b>IMI</b>	ISRAEL
<b>JNS</b>	NETHERLANDS
<b>KAAKAA</b>	EGYPT
<b>KB</b>	YUGOSLAVIA
<b>KV/YU</b>	YUGOSLAVIA
<b>KY/KU</b>	YUGOSLAVIA
<b>L</b>	UNITED KINGDOM
<b>LOS</b>	GERMANY (FEDERAL REPUBLIC POST WWII)
<b>LU</b>	FRANCE
<b>LUL</b>	FRANCE
<b>M</b>	BELGIUM
<b>M</b>	CHILE
<b>M</b>	ISRAEL
<b>M</b>	ITALY
<b>M</b>	SOUTH AFRICA
<b>M</b>	SPAIN
<b>M</b>	SWEDEN
<b>M</b>	SWEDEN

Alphanumeric Markings	Country
<b>M</b>	SWEDEN
<b>M</b>	SWEDEN
<b>M</b>	YUGOSLAVIA
<b>M.Md1</b>	FRANCE
<b>MA</b>	BELGIUM
<b>MA</b>	NETHERLANDS
<b>MAUSER</b>	GERMANY (FEDERAL REPUBLIC POST WWII)
<b>MCR</b>	BELGIUM
<b>MDH</b>	VIETNAM
<b>MK</b>	FRANCE
<b>MK</b>	ISRAEL
<b>MK</b>	ITALY
<b>MK</b>	PAKISTAN
<b>MK</b>	SWEDEN
<b>MK</b>	UNITED KINGDOM
<b>MKE</b>	TURKEY
<b>MKS</b>	ISRAEL
<b>MKS</b>	UNITED KINGDOM
<b>MLE</b>	FRANCE
<b>MN</b>	ITALY
<b>MOD</b>	TURKEY
<b>MODEL</b>	AUSTRIA
<b>MODEL</b>	BELGIUM
<b>MODEL</b>	EGYPT
<b>MODEL</b>	FRANCE
<b>MODEL</b>	FRANCE
<b>MODEL</b>	GERMANY (FEDERAL REPUBLIC POST WWII)
<b>MODEL</b>	ITALY
<b>MODEL</b>	SPAIN
<b>MODEL</b>	SWEDEN
<b>MODEL</b>	SWITZERLAND

## MARKINGS

Alphanumeric Markings	Country
<b>MP</b>	CHINA
<b>MPA</b>	BELGIUM
<b>MR</b>	FRANCE
<b>MVA</b>	SWEDEN
<b>MZ</b>	CZECHOSLOVAKIA
<b>NASR</b>	EGYPT
<b>NICO</b>	GERMANY (FEDERAL REPUBLIC POST WWII)
<b>NICO</b>	GERMANY (PRE WWII)
<b>NO.</b>	AUSTRIA
<b>NO.</b>	ISRAEL
<b>NO.</b>	UNITED KINGDOM
<b>NR</b>	BELGIUM
<b>NR</b>	NETHERLANDS
<b>NWN</b>	NETHERLANDS
<b>NZ</b>	CZECHOSLOVAKIA
<b>O</b>	USSR
<b>OF</b>	CZECHOSLOVAKIA
<b>OF</b>	USSR
<b>OZM</b>	USSR
<b>OZT</b>	CZECHOSLOVAKIA
<b>P</b>	ITALY
<b>P</b>	PAKISTAN
<b>PBR</b>	BELGIUM
<b>PDB</b>	SPAIN
<b>PDM</b>	BULGARIA
<b>PDM</b>	USSR
<b>PI</b>	GERMANY (FEDERAL REPUBLIC POST WWII)
<b>PI</b>	GERMANY (PRE WWII)
<b>P-ISV</b>	CZECHOSLOVAKIA
<b>PL</b>	CHINA
<b>PMA</b>	CZECHOSLOVAKIA

Alphanumeric Markings	Country
<b>PMA</b>	YUGOSLAVIA
<b>PMP</b>	GERMANY (PEOPLES REPUBLIC POST WWII)
<b>PO</b>	SPAIN
<b>POM</b>	YUGOSLAVIA
<b>PP</b>	CZECHOSLOVAKIA
<b>PPD</b>	NORWAY
<b>PP-MI</b>	CZECHOSLOVAKIA
<b>PRB</b>	BELGIUM
<b>PRB</b>	NETHERLANDS
<b>PROM</b>	YUGOSLAVIA
<b>PS</b>	SOUTH KOREA
<b>PSM</b>	BULGARIA
<b>PSV</b>	CZECHOSLOVAKIA
<b>PT</b>	CZECHOSLOVAKIA
<b>PT-MI</b>	CZECHOSLOVAKIA
<b>R77</b>	PHILIPPINES
<b>RBK</b>	USSR
<b>RBS</b>	SWEDEN
<b>RHEIMENTALL</b>	GERMANY (FEDERAL REPUBLIC POST WWII)
<b>RKV</b>	SWITZERLAND
<b>RKVDIR</b>	SWITZERLAND
<b>RMS</b>	FRANCE
<b>RO</b>	CZECHOSLOVAKIA
<b>RTE</b>	FRANCE
<b>RYN</b>	FRANCE
<b>S</b>	ITALY
<b>S</b>	SINGAPORE
<b>S</b>	USSR
<b>SA</b>	USSR
<b>SAE</b>	FRANCE
<b>SC</b>	FRANCE



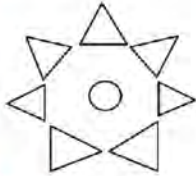
## MARKINGS

Alphanumeric Markings	Country
<b>SET</b>	USSR
<b>SM</b>	FRANCE
<b>SNILA</b>	ITALY
<b>SOL</b>	ISRAEL
<b>SPRA</b>	UNITED KINGDOM
<b>SS</b>	FRANCE
<b>SS</b>	USSR
<b>TAAS</b>	ISRAEL
<b>TAM</b>	FINLAND
<b>TECTEL</b>	SOUTH AFRICA
<b>TMA</b>	CZECHOSLOVAKIA
<b>TMA</b>	YUGOSLAVIA
<b>TYPE</b>	CHINA
<b>TYPE</b>	DENMARK
<b>TYPE</b>	FRANCE
<b>TYPE</b>	GERMANY (FEDERAL REPUBLIC POST WWII)
<b>TYPE</b>	GERMANY (PRE WWII)
<b>TYPE</b>	JAPAN
<b>UMR</b>	YUGOSLAVIA
<b>UPM</b>	YUGOSLAVIA
<b>UT</b>	YUGOSLAVIA
<b>UTI</b>	YUGOSLAVIA
<b>UTM</b>	YUGOSLAVIA
<b>UTU</b>	YUGOSLAVIA
<b>V</b>	FRANCE
<b>V</b>	USSR
<b>VS</b>	ITALY
<b>W</b>	SPAIN
<b>WALLOP</b>	UNITED KINGDOM
<b>YAM</b>	USSR
<b>ZAB</b>	USSR

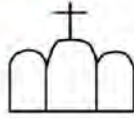
# MARKINGS

Below are common graphic symbols and markings found on ordnance.

**Italy**



**Denmark**



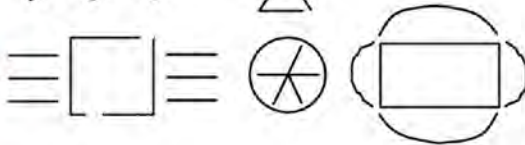
**Bulgaria**



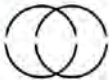
**Belgium**



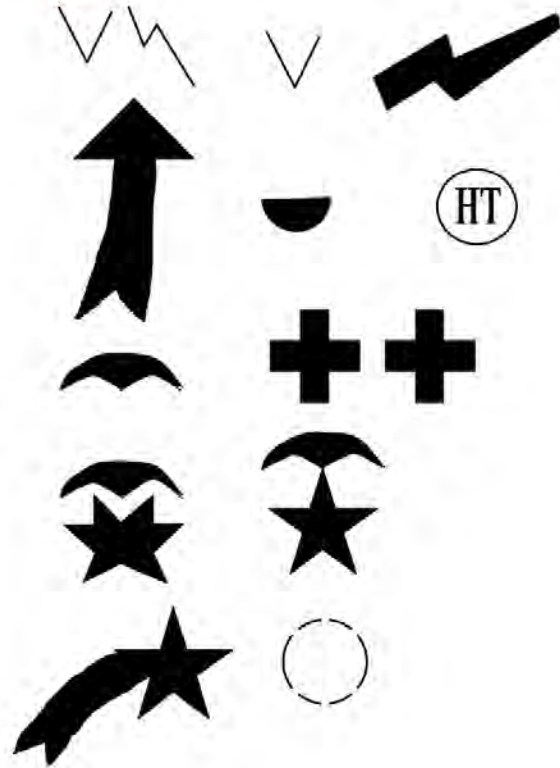
**China**



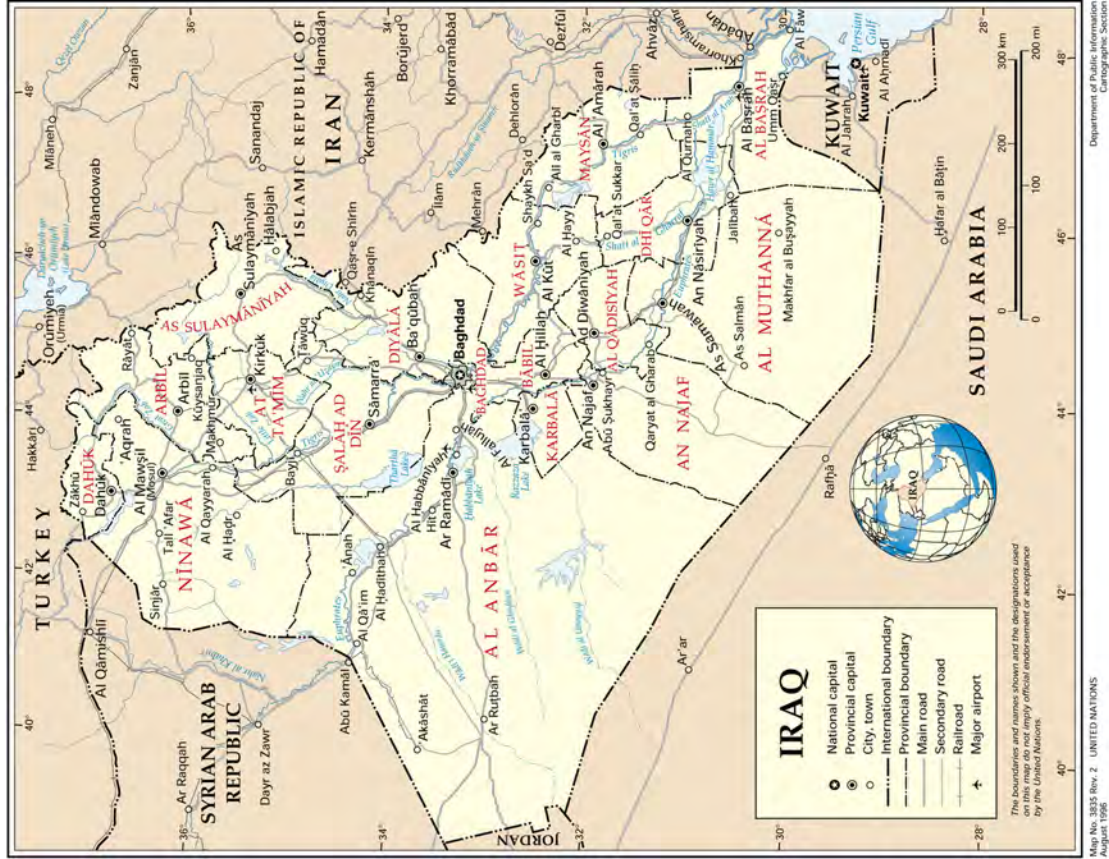
**USSR**



**France**



# MAP OF IRAQ



# SAFETY AND GENERAL INFORMATION

---

## BOMB

---

### INTRODUCTION:

- Positively identify the bomb.
- HE-filled bombs may have rocket motors or fillers such as chemical agents, photoflash composition, or incendiary material.
- Observe safety precautions for the applicable fuze(s) during fin removal.
- Presuppose the most dangerous fuze(s) installed if visual recognition cannot be performed.
- Protective works should be considered before demolition.
- Tail sections may break away during impact altering appearance.
- Nose fuzes may be unidentifiable after impact.
- Tail sections may conceal a fuze, be badly damaged, or unremovable.

### SAFETY:

- Do not move/jar except by remote means; fuzes may contain a hung cocked striker, antisturbance device, etc.
- Do not move/jar a bomb until determination of fuzing type.
- Do not drop/jar a fuze; the fuze may start or resume functioning, or may release a hung cocked striker.
- Do not turn arming vanes, insert safety pins or pop-out pins, pull or cut arming lanyards, or attempt fuze removal.
- Tail sections may incorporate hazardous components such as ejection charges and powerful springs.
- Recognition of anti-disturbance, electronic multifunction, and long-delay fuzes is a priority.
- Do not use fuze-related accessories, such as lanyard lock, lanyard adjusters, closure ring/closure plug as positive identification features.

### SAFETY CONSIDERATIONS

#### HIGH EXPLOSIVE/FRAGMENTATION:

- Observe magnetic, seismic, and acoustic precautions during the approach and continue to observe until it is ascertained that the precautions are not present.
- Do not remove fuzes by hand on picric acid filled bombs, fuze removal could detonate the bomb if salts are present.
- Do not pack a fuze well with plastic explosive if the well contains a detonator. Detonators are sensitive to heat, shock, and friction.
- Do not attempt to separate the detonator from the pistol, if attached, after pistol is removed from bomb. The firing pin may be embedded in the detonator, or explosive salts may have formed between the detonator and the pistol.
- Do not remove a United Kingdom tail pistol by hand if it has been in the bomb in excess of 14 days. Removal may function the detonator if explosive salts have formed between the detonator and the pistol.
- Thermal coating will attenuate the power of demolition charges.

# SAFETY AND GENERAL INFORMATION

---

## **BOMB - continued**

---

### **SAFETY CONSIDERATIONS - continued**

#### **CHEMICAL:**

- Large carrier bombs may contain linear cutting charges/central bursters.
- Most are thin-walled and therefore liable to rupture leaking contents.
- Personnel Protective Clothing and breathing apparatus may be required.
- Identification of fill is vital before any action.
- Leak sealing and packaging may be necessary.
- Downwind hazard areas should be calculated.

#### **PYROTECHNIC:**

- Photoflash bombs must be handled with the same care as black powder, and with even greater care than conventional explosive-loaded bombs. When loose photoflash powder is observed, stop all work until the loose powder has been desensitized and the leaking bomb has been removed from the operating area.
- Do not manually remove a fuze from a photoflash bomb. The bomb burster charge or photoflash powder may be in the fuze threads, and may detonate the bomb if pinched in the threads.
- Non-stabilized incendiary bombs may use all-way acting fuzes.

# SAFETY AND GENERAL INFORMATION

---

## DISPENSER

---

### INTRODUCTION:

- Observe all safety precautions applicable to the fuze.
- Observe all safety precautions applicable to the payload.
- Positively identify the dispenser and payload. It may contain random delay fuzing and a payload of HE, incendiary, chemical, or smoke munitions.

### SAFETY CONSIDERATIONS

- Approach a dispenser from an upwind direction until certain that no chemical or other toxic agent is present.
- Approach and work from the side of a dispenser only. Should an actuation occur, payload items may be ejected with dangerous force.
- Consider a dispenser loaded. The presence or absence of a payload may not be obvious from an external examination.
- Exercise caution around a dispenser or cluster adapter that contains no payload. The dispenser may contain explosive detents, ejection cartridges, or other explosive devices.
- Remain clear of retracted dispenser fins; actuation may cause injury.
- Do not jar or unnecessarily move the fuze or dispenser. Such action may initiate the dispenser and eject its contents.
- Do not remove munitions from a dispenser unless absolutely necessary. Many of the contained munitions are designed to arm as soon as they leave the dispenser.
- Render safe any separated contents before performing the procedures on the cluster adapter. Bombs outside the adapter/dislodged within it may be armed.
- If multi-fuzed, evaluate all conditions and render safe the most dangerous fuze first.

# SAFETY AND GENERAL INFORMATION

---

## PROJECTILE

---

### INTRODUCTION:

- Projectiles include guns, mortars, howitzers, and recoilless rifles other than small arms and may be rocket assisted.
- Carry any type of payload, including high explosive, chemical, incendiary, pyrotechnic, biological, inert, training, and spotting payloads.
- Sizes from less than 20 millimeters to over 16.00 inches in diameter.
- Vary widely in fuze functioning and operating principles.
- May have multi-fuzing in a single projectile.

### SAFETY CONSIDERATIONS:

- Consider armed if fired.
- Determine the condition of the fuze or fuzes before moving.
- Ascertain type and amount of projectile main charge or filler and the number and types of any other explosive or pyrotechnic components which may be present.
- Physical characteristics and engraved/stamped.
- Determine the country of origin of the projectile and compare its color marking against known national markings and color codes, if possible.
- Examine a projectile for the presence or absence of an unfired tracer.
- Stay clear of front and rear of ejection projectile.
- Do not pick up a fired projectile.
- Observe rocket motor precautions with a rocket-assisted projectile.
- Do not dismantle, disassemble, or strip unexploded projectiles.
- Personnel Protective Equipment (PPE) available when handling smoke and/or riot-control agents
- Do not approach a smoking WP/PWP projectile unless absolutely necessary.
- Assume a practice projectile contains a live charge until determined.
- Some cartridges contain powdered metals, which may react violently and liberate explosive or toxic fumes when exposed to moisture.
- Extreme caution when handling explosive-loaded components which have been separated from the projectile.

# SAFETY AND GENERAL INFORMATION

---

## PROJECTILE - continued

---

### FUZES:

- Exercise extreme care in handling graze-sensitive, electric, switch-actuated, piezoelectric, spring-loaded, and cocked-striker fuzes.
- Wait 1 hour before approaching a possible armed VT fuze to permit the electrical charge to bleed off.
- Do not attempt to remove base fuzes from projectiles unless remote stripping facilities are available.
- Extreme care in handling air column fuzes; Many are always armed.
- Do not disturb or remove any foreign matter embedded in an armed fuze.
- Do not attempt to replace safety pins/wires, or to reset.
- Seal the open end of the flash tube with tape/suitable material.
- Protect the primer when handling or transporting ammunition/propellant case.
- Observe EMR precautions on fuzes with stored electric energy or electric-producing crystals (piezo).



# SAFETY AND GENERAL INFORMATION

---

## GRENADE

---

### INTRODUCTION:

- Hand or rifle projected.
- Main charge includes HE, riot-control agents, smokes, and incendiary and pyrotechnic materials.
- Fuzing is varied and may be time-delay or impact fuzed.
- Are easily and frequently boobytrapped.
- Practice grenades are usually externally identical to the grenades they simulate

### SAFETY:

- Do not drop or jar.
- Do not disturb, except remotely, until fuze condition can be determined.
- Do not handle unless safety pin and fly-off lever in place and secured.
- Wait at least 30 minutes before approaching a suspected dud-fired grenade, deterioration/dampness may prolong the burning time of the delay.
- Do not attempt to remove the fuze from a dud-fired grenade.
- Do not attempt to replace the safety pin in a dud-fired grenade.
- Manually handle an armed grenade as a last resort and after considering all methods of remote disposal.
- Wear protective equipment with known/suspected chemical grenades.
- Do not approach a smoking WP grenade unless absolutely necessary.
- Move an embedded grenade remotely, it may contain a piezoelectric fuzing system.
- Do not dispose by functioning normally, may be boobytrapped.
- Observe cover and safe distances before disposal. Fragments may be projected over a radius of 650 feet (198 meters).

### SAFETY CONSIDERATIONS

#### ANTI-ARMOR/HEAT:

- Armed or damaged anti-armor/heat grenades should not be touched.
- Stab-sensitive detonator assembly contains a substantial booster charge.
- Ensure shaped charge cone is crushed during disposal.
- Ensure presence of fuze-cover securing stable prior to removing handle.

# SAFETY AND GENERAL INFORMATION

---

## **GRENADE - continued**

---

### **SAFETY CONSIDERATIONS - continued**

#### **FRAGMENTATION:**

- Fly-off lever partially released – dangerous condition.
- Percussion cap not struck sufficiently hard.
- Pyrotechnic fuse not ignited or fails to burn completely to detonator.
- Fuze loosens or unscrews on contact – separating detonator and main charge.
- Fragmentation grenades may be single thickness of steel deeply serrated or double thickness with inner-notched fragmentation coil.

#### **IMPACT FRAGMENTATION:**

- In addition to conventional design, have added all-way acting fuze
- Armed all-way acting fuzes may be sensitive to movement
- Mechanical fuze may be fully armed and functional even when delay detonator has failed.

#### **RIFLE:**

- Nose fuzes on fired unexploded rifle grenades are likely to be damaged.
- Observe shaped charge precautions until positive identification.
- Often difficult to identify warhead type, e.g., HEAT warheads may not have their normal characteristic profile.
- Fuze mechanisms vary widely and not readily identifiable unless marked.

#### **CHEMICAL/SMOKE:**

- Smoke grenades are usually made of thin sheet metal
- Riot-control grenades have emission holes covered with tape, spherical plastic, or synthetic rubber case.
- Incendiary grenades are usually sheet metal.

#### **SPIN-STABILIZED (CANISTER/CARTRIDGE TYPE LAUNCHED):**

- During demolition, ensure unfired grenades are not launched.
- Impacted fuzes may make unexploded grenades sensitive to shock.
- Despite size, these can be lethal at significant distances.
- Observe shaped precautions unless positively identified.

# SAFETY AND GENERAL INFORMATION

---

## FUZE

---

### INTRODUCTION:

- Fuzes contain, in a single unit, an explosive initiating charge and the means for initiating this charge. Fuzing systems divide these elements and functions among several units.
- Certain elements of fuzing systems closely resemble fuzes and should be treated similarly to fuzes. Safety and arming (S&A) devices containing explosives, electrical circuits, and arming systems are typical of these.
- Fuzes and fuzing systems are used in a wide variety of surface ordnance, including bombs, dispensers, clusters, launchers, projectiles, grenades, rockets, landmines, guided missiles, pyrotechnic devices, and in some types of underwater ordnance.
- Fuzes and fuzing systems may be mechanical, pyrotechnic, chemical, electrical, electronic, or combinations of these. They function in a variety of designed modes such as impact, long delay, time after launch, and antidisturbance.

### SAFETY CONSIDERATIONS:

- When identification of a fuze is impossible, the type of arming device and type of firing device in the fuze must be determined.
- When a fuze can be identified only as one of several types, treat the fuze as the most hazardous type.
- Do not drop, strike, or jar an armed fuze. It may be in a very sensitive condition and may be fired by such action.
- Avoid any unnecessary movement of an armed fuze.
- The fuze is considered the most hazardous component of explosive ordnance, regardless of type or condition.
- Observe magnetic, seismic, infrared, and acoustic precautions when approaching an unidentified fuze.
- Do not allow movement of equipment in the area until it is determined to be safe to do so. Some fuzes are designed to function on passage of a predetermined number of targets.
- Some fuzes contain boobytraps that function on fuze removal.
- Do not attempt to reset an adjustable clockwork fuze to an indicated safe position or reinsert any fuze safety device.
- Assume that an electric fuze is sensitive to shock, heat, discharges of static electricity, and stray electric current.
- Turn off any source of radio-frequency energy in the vicinity of a known or suspected proximity (VT) fuze. A proximity fuze may be capable of being fired by radio-frequency energy transmitted to the fuze by an outside transmitter.
- If the munition is known to contain a VT fuze, do not approach it until the prescribed waiting time has expired.
- Do not drop, jar, or strike a fuze, or subject it to heat or any other force likely to fire a possibly armed fuze. Many fuzes are fired by spring-loaded firing pins. In addition, the firing pin or other metal fuze part may be embedded in an explosive component.
- Keep a fuze which has been removed from ordnance separated from other explosive ordnance. A fuze located near another explosive charge may induce its detonation should the fuze accidentally explode.
- When transporting any fuze, position the fuze in the most neutral orientation possible, considering its design and all forces which may act on it or its components.

# SAFETY AND GENERAL INFORMATION

---

## ROCKET

---

### INTRODUCTION:

- Rockets may be launched from aircraft, ships, vehicles, fixed positions, and by individuals.
- May contain a HE main charge or a variety of fillers including chemicals, submunitions, pyrotechnics, incendiaries, or combinations of these agents.
- The hazards include the warhead section and the propulsion system.

### SAFETY CONSIDERATIONS:

- Approach/work from the side. Ignition will create a missile hazard/hot exhaust.
- Do not jar or disturb an armed warhead. If necessary to move, do remotely.
- Perform initial movement of an embedded rocket remotely.
- Positively ID, or assume most hazardous type fuze.
- Work most hazardous fuze first.
- Wait a sufficient time (at least 1 hour) for charged capacitors to discharge.
- Protect rockets within in an EMR field/environment.
- Do not dismantle, disassemble, or strip unexploded rockets or components.
- Wear Personnel Protective Equipment (PPE) for suspected chemical agents.
- Do not approach a smoking WP warhead unless absolutely necessary
- Wash thoroughly (soap and water) after handling rocket motor propellant.
- Do not expose electrically fired rocket motors within 25.0 feet (7.6 meters) of any exposed electronic transmitting equipment or exposed antenna leads.
- Do not transport an unfired rocket unless the motor igniter is shielded from EMR.

# SAFETY AND GENERAL INFORMATION

---

## GUIDED MISSILE

---

### INTRODUCTION:

- Launched from aircraft, ships, vehicles, and by individuals.
- Size from large, fixed/mobile weapon to being carried/fired by one person.
- Warhead may contain HE, chemical, or biological agents.
- Propulsion may be solid propellant or liquid fuels and oxidizers.
- May be multi-fuzed and incorporate a self-destruct system.
- Most proximity fuzes have some type of impact backup.
- Location of explosive components should be verified before demolition
- Ensure venturi is destroyed during demolition to prevent flight.
- Unburned propellant may be capable of detonation under some circumstances.
- Unconventional fuzes may not be recognizable.
- The possible presence of tandem warheads must be considered.

### SAFETY CONSIDERATIONS

#### APPROACH:

- Restrict all vehicle movement in the vicinity of the missile.
- Avoid entanglement with the wires of a wire-guided missile.
- Terminate radio transmissions as per safe distance recommendations of service directives.
- Approach an unidentified guided missile from the side. Many missiles have proximity fuzes, IR fuzes, and some produce microwave radiation.
- Do not approach a guided missile that has been in a fire until sufficient time has elapsed for it to cool. If the missile has a specified waiting period, the period should commence after the missile has cooled.
- When approaching an unidentified guided missile, observe chemical and fuel precautions until monitoring has verified that the missile does not contain a chemical warhead or a leaking motor.
- Approach/work on an unfired rocket motor from the side.
- Do not approach an armed guided missile that has proximity fuzing while using a fluorescent light. Fluorescent light has been known to function armed proximity fuzes.
- Impact fuzes may be located on the leading edge of fins.

# SAFETY AND GENERAL INFORMATION

---

## GUIDED MISSILE - continued

---

### SAFETY CONSIDERATIONS - continued

#### IDENTIFICATION:

- Remotely perform initial movement necessary for missile identification.
- An air-to-air or surface-to-air missile generally contains an HE-fragmentation warhead.
- A surface-to-surface or air-to-surface missile may contain any type of warhead.
- Single-piece rocket motor probably contains solid propellant, while a two/ or three-piece construction may be an engine containing liquid propellant.
- Some liquid-propellant engines may have a solid-propellant grain (gas generator) for combining the fuel and oxidizer.
- If possible, wait for a period after impact before approaching an unknown missile. (Wait requirements vary widely; observe a minimum of 3 hours, if possible.) This period may allow the missile to self-destruct, shut off, or exhaust its firing power.

#### FUZING SYSTEMS:

- Consider the warhead armed if the missile's has been fired.
- Do not strike or jar any missile components.
- Some also contain an anti-breakup device along the length of the warhead.
- Do not disconnect or cut any electrical cable. A fuzing and firing circuit can fire because of a loss of or drop in voltage.

#### PROPULSION SYSTEMS:

- Wear protective clothing/respiratory equipment when working on a liquid-propellant rocket engine.
- Observe maximum fire-prevention precautions for the rocket motor.
- Remain upwind when missile is suspected of leaking fuels and oxidizers.
- Do not allow fuels to mix with oxidizers. Mixture of the two liquids will result in a violent hypergolic reaction.
- Thoroughly wash the outer surface of protective clothing after working in the presence of fuels and/or oxidizers.
- Do not attempt to remove an igniter from a missile motor section.
- Guidance and control systems.
- Protect against burns and toxic dust/gases from a thermal battery.
- Avoid body contact with the highly corrosive electrolyte used in wet-cell batteries.
- Do not move, bend, cut, or disconnect any high-pressure lines until certain that the system is void of pressure. Remotely cut or separate any line suspected of being under pressure. Almost all guidance and control systems contain high-pressure air, hydraulic liquid under pressure, or both.

# SAFETY AND GENERAL INFORMATION

---

## LANDMINE

---

### INTRODUCTION:

- Landmines are emplaced area-denial weapons, from small antipersonnel (apers) types to larger antitank (AT) or special-purpose types (off-route).
- Landmines may be designed to be boobytrapped with anti-lift devices.
- Landmines may be loaded with high explosives, chemicals, or pyrotechnic materials.
- Fuzed in a variety of ways, including mechanical, electrical, chemical, acoustic/seismic, infrared, magnetic-influence, or controlled firing systems. They may be fired by pressure, tripwire, tension release, explosive pressure pulse, pressure release, magnetic field changes, or direct electrical circuit closure.

### SAFETY:

- Observe magnetic precautions when approaching/working with a known or suspected magnetic influence fuze.
- If it is absolutely necessary to walk into a mined area, move slowly, looking at the ground carefully to note disturbances in the soil and the presence of any tripwires.
- Permit only one person at a time to work on one mine.
- Probe and examine the ground around a mine before starting to work on it.
- Take boobytrap precautions.
- Before lifting a mine, neutralize all external fuzes.
- Perform all initial movement of the mine remotely.
- Assume the presence of other mines nearby whenever a landmine is located.
- Before disarming, determine the number and types of fuzes within the mine to ensure proper safety precautions are followed.
- A nonmagnetic probe is safer to use, as the mine may have a magnetic fuze.
- AT mines may be protected by apers mines.
- Do not manually disturb, drop, or strike an armed mine or mine fuze. It may contain a cocked-striker firing system.
- Consider an emplaced landmine armed and remove remotely.
- Do not cut/pull a taut wire; never pull a slack one.
- Take cover before pulling a mine and wait for at least 60 seconds.
- Do not handle an AT mine that has been pulled from its emplacement until after closely examining the mine case to ensure that the case was not deliberately altered to permit separation at its base. Separation of the mine case from its base and main charge will function an internal pressure/pressure-release fuze.
- Do not use force on a mine or boobytrap. If a part cannot be removed without applying an undue amount of force, cease removal procedures and destroy the mine in place.
- If a mine or boobytrap must be left unlifted, mark the location prominently and notify the proper authorities.
- Improvised grapnels may be used to clear tripwire-actuated mines.

# SAFETY AND GENERAL INFORMATION

---

## LANDMINE - continued

---

- When cutting the wires of an electric detonator, cut and tape them one at a time to avoid closing the circuit with the wire cutters. A mine is harmless if the firing train is broken, but there may be more than one firing train.
- Do not stack fuzed mines. Many types contain pressure-actuated fuzing which may be fired by such action.
- If possible, destroy in place all mines loaded with picric acid explosive. Extremely sensitive explosive salts may have formed wherever the explosive contacts the metal.
- Observe acoustic/seismic precautions when approaching or working on landmines with a known or suspected acoustic/seismic fuze.
- Do not remove a mine from its emplacement if the pressure plate is compressed or deformed. The fuze may contain a hung cocked firing pin.
- The preferred disposal procedure for antipersonnel and antitank landmines is to detonate or burn using incendiary grenades for the situation found.
- Do not permit personnel, vehicles, or any heat-generating source to pass in front of an infrared receiver.
- Some fuzes may not have a safety feature, or a safety device may not be available or cannot be applied.

## SAFETY CONSIDERATIONS

### ANTI-TANK (AT) MINES:

- Do not uncover until the ground has been thoroughly checked for anti-lift devices. Probe cautiously, for even nearby disturbance by the probe may release the fuze striker.
- Exercise care when disarming wooden AT mines by hand. Frequently, holes are drilled through the bottom of the case and pull-wires connected to auxiliary fuzes are threaded and anchored to a stake underneath. If the stake is driven deep enough, it is not easy to locate the wire by probing. A pressure-release fuze or pull fuze with pullwire may be actuated by raising or removing the pressure plate or lid. Some wooden mines have a special mousetrap device that is actuated in this way.
- Exercise care with wooden AT mines that have been buried for a long time. Because of soil conditions, the wood deteriorates and the slightest inadvertent pressure on the top may initiate the fuze.

### ANTIPERSONNEL:

- Be alert for small apers mines laid along the side of or underneath the tripwire to hinder disarming.
- Always trace the tripwire from the friendly side - do not straddle it - as a safeguard against accidental tripping or stepping on a small apers mine laid underneath the tripwire.



# SAFETY AND GENERAL INFORMATION

---

## LANDMINE - continued

---

### SAFETY CONSIDERATIONS - continued

#### OFF-ROUTE:

- Electronic off-route mines may contain an anti-handling option.
- Contact with fuzing sensor or into field of view may initiate.
- Do not cut connected electric wires/breakwires – collapsing circuit.
- Precautions to prevent formation of HEAT jet or self-forging fragment.

#### FUZES:

- Be extremely cautious disarming tilt fuzes by hand, especially if they have been partially initiated. There must be no movement of the tiltrod when the fuze is removed from the mine.

# SAFETY AND GENERAL INFORMATION

---

## NAVAL MINE

---

### INTRODUCTION:

- Naval mine may be air-laid, submarine-laid, or surface-laid.
- Identification of a naval mine is inherent in the features of the mine case and fittings as influenced by the laying agent, and features inherent in its firing system.
- Most naval mines employ a case shape involving a sphere, some part of a sphere, a cylinder, or a combination of these
- Mine case identifying elements include the size and shape of the case, details of its external features, and any attached fittings or accessories.
- Painting and markings, as well as the type of material of the case and components, are valuable data if they can be readily determined without disturbing the mine.

### SAFETY:

- Observe influence precautions when approaching all unidentified mines until the firing means is identified, then observe the appropriate precautions.
- Do not touch an unidentified mine with any metallic object.
- Do not assume all mine in a minefield are of the same type or setting.
- Do not approach a mine in the surf. Wait until the tide drops or surf subsides.
- Attempt to locate and stay clear of flooders.
- Assume the mine contains the most hazardous component combination for which it is designed.
- Do not disturb or move an armed mine except by remote means from a safe distance.
- Assume all mines contain a self-destruct capability.
- Use nonmagnetic tools and equipment to gain access to an unknown mine buried no land.
- Assume an unknown mine is fitted with antirecovery devices.
- Consider all mines adrift on the surface to be armed and functional.

# SAFETY AND GENERAL INFORMATION

---

## NAVAL MINE - continued

---

### CONSIDERATIONS

#### CONTACT MINES:

- Chemical horn, cocked striker and sea water battery firing systems have an indefinite firing life.
- Chemical horn mine may remain functional even if the case is flooded.
- Avoid all lines and cables attached to the mine as they may be snag lines or function as galvanic antennas.
- Move a beached/sunken mine remotely. Mine movement can function a chemical or switch horn or whisker, or actuate an inertial firing device.
- Do not move any protruding object on a mine until its function has been positively identified.
- Do not put tension on a baseplate mooring spindle.
- Do not tamper with switches on a baseplate.
- Do not lift or move a mine by the mooring cable or place a strain on the cable unless it is determined such action will not close an internal mooring switch.

#### INFLUENCE MINES:

- Approach bottom mines from the nose end within a 45 to 90 degree angle of either side of the nose.
- Consider all influence mines of recent development to use magnetometers as the magnetic sensor
- Maintain influence precautions until the mine is determined to be unarmed, neutralized, or rendered safe.
- Keep all craft, other than the diving platform, at least 600 feet from the mine.
- Do not chip or scrape marine growth or rust from an armed influence mine.

#### CONTROLLED MINES

- If possible, determine the mine control point and ensure the actuation means is safed.
- Consider the possibility that more than one mine may be controlled from a single point, and that a single mine may have more than one control point.

# SAFETY AND GENERAL INFORMATION

---

## DEPTH CHARGE, SOUND SIGNALS, MARKERS, & MISCELLANEOUS

---

### INTRODUCTION:

- It must be assumed personnel are reasonably familiar with procedures and have experience in these areas.
- There is no safe procedure for disposal of ordnance, but merely a procedure that is considered least dangerous.
- An operation involving both diving and explosives must be based on all safety considerations.
- No "always correct" rule or set of rules apply.
- Assume ordnance is in an armed condition and ready to fire unless it is determined to be otherwise.

### CONSIDERATIONS

#### DEPTH CHARGES AND DEPTH BOMBS:

- Allow at least one passage of high tide before diving on a depth charge (bomb). An increase in water depth may take the fuze past its firing pressure, resulting in detonation.
- Observe magnetic safety precautions until it is established the charge/bomb does not contain a magnetic-influence firing mechanism.
- DO NOT rely on retraction of the booster extender to safe a depth charge.

#### PYROTECHNIC MARKERS AND SIGNALS:

- Consider these types of markers/signals to be armed if they have been subjected to water.
- DO NOT look directly at a burning marker/signal.
- DO NOT crush or break crusted phosphorus residue that may be present on an expended marker/signal.
- DO NOT inhale gases produced by markers/signals.
- DO NOT allow either end of a marker/signal to come in line with personnel, as ejected elements are a missile hazard.
- Be aware when red phosphorus is burned, incomplete combustion may produce deposits of red and white phosphorus which may contaminate surrounding areas.

#### PRACTICE DEPTH CHARGES AND SIGNALS, UNDERWATER SOUND (SUS):

- DO NOT disassemble a practice depth charge or SUS. Explosive exudate may be in the threads.
- DO NOT depress or retract a detonator holder. Depressing will align the detonator with the firing pin and explosive train while retraction could cause detonation if the firing pin has been driven into the detonator.
- DO NOT subject an armed practice depth charge or SUS to rough treatment. It may contain a cocked striker.

# SAFETY AND GENERAL INFORMATION

---

## SCATTERABLE

---

### INTRODUCTION:

- From the very small, simple, cheap devices to the large, highly complex and expensive 'smart' munitions.
- Delivered by missiles, rockets, projectiles, and mortars.
- Fillers include HE, pyrotechnics, illuminants, and chaff.
- Dispensed by nose ejection, rear ejection, or case rupture.
- Stabilization includes fins, a streamer, or parachute.
- Most incorporate a separate arming mechanism.
- Targets include personnel, equipment, machinery, and area-denial.
- Most function upon impact but some are victim-operated or contain delays.

### SAFETY:

- May incorporate stab-sensitive or all-way acting fuze(2).
- All-way acting fuze mechanisms can behave like an anti-disturbance device.
- Large numbers at a contaminated site complicates a clearance operation.
- Often found above ground in vegetation or manmade structures.
- Dispensers contain hazardous components such as ejection charges and linear cutting charges.
- Presence is indicated by empty containers and packaging.
- Armed bomblets prone to failure if impact angle too great or fall broken by vegetation or soft ground.
- May fail to arm if drop height is insufficient.
- Presence of an unexploded scatterable may indicate others are present.

### CONSIDERATIONS

#### CHUTE-STABILIZED:

- May not arm if release altitude too low.
- Impacted fuzes may be in a highly sensitive state.

#### DPICM:

- Subject to a high failure rate.
- If armed, munition is highly sensitive to pressure on the fuze.
- They often become tangled in vegetation and structures.

## SAFETY AND GENERAL INFORMATION

---

### SCATTERABLE - continued

---

#### FIN-STABILIZED (HEAT):

- May penetrate soft ground and be buried due to high sectional density.
- Impacted fuzes may be highly sensitive especially piezoelectric types.

#### FIN-STABILIZED (FRAGMENTATION):

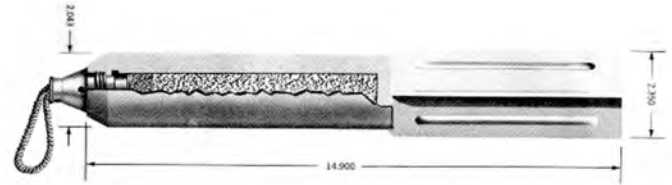
- Thick-walled varieties can produce heavy fragments, lethal at substantial ranges.

#### SPIN-ARMED:

- Due to failure in the fully armed condition due to insufficient impact energy.
- Armed with all-way acting fuzes sensitive to movement.
- Despite external corrosion, fuze mechanisms and detonators may be fully operational after many years.

## U.S.S.R. BOMBLET, FRAG, AO-2.5

Ordnance used with:  
AGM 1, BOMB, NOSE  
AGM 3, BOMB, NOSE  
AM B, BOMB, NOSE  
AM B B/V, BOMB, NOSE  
TM-4A, NOSE, MT  
RBK-250, CLUSTER, ADAPTER  
RBK-500, DISPENSER (OLD STYLE)  
N.E.W. 0.09 KG

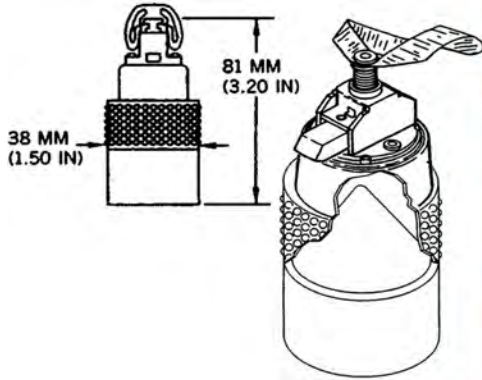


## U.S. UNDESIGNATED STAINLESS STEEL ROD ASSEMBLY, INERT, LARGE

Ordnance used with:  
SUU-66/B, DISPENSER (WCMD)  
CBU-107/B PASSIVE ATTACK WEAPON (PAW)

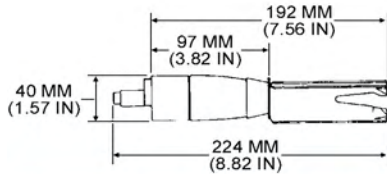
N.E.W. 0.00 G





**IRAQI GRENADE, DUAL-PURPOSE, MODEL UNKNOWN**

N.E.W. 35.00 G



**U.S. BOMB UNIT, APERS, HEAT, BLU-77/B**

Ordnance used with:

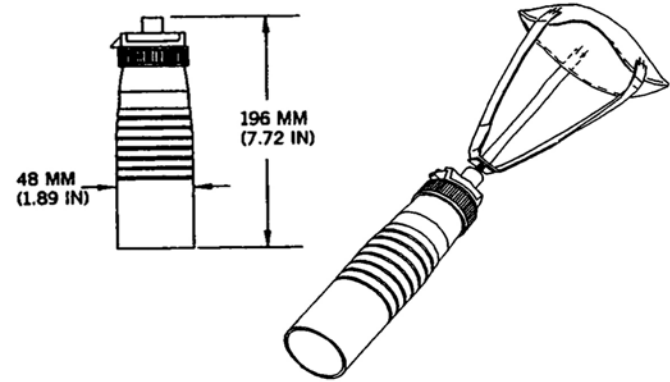
- MK 7 MOD 2, DISPENSER
- MK 7 MOD 3, DISPENSER
- MK 7 MOD 4, DISPENSER
- MK 7 MOD 6, DISPENSER
- APAM CLUSTER WEAPON
- CBU-59/B
- FMU-88/B, BOMB, IMPACT

N.E.W. 2.25 OZ



## CHILEAN BOMB, HEAT, PM-2

Ordnance used with:  
CB-500 K-2, CLUSTER BOMB, 485 KG

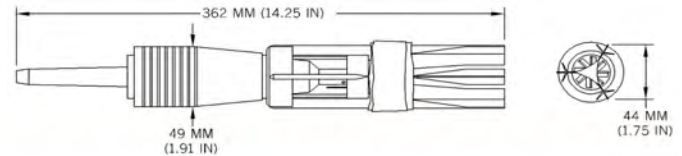


N.E.W. 153.00 G

---

## CHILEAN BOMB, AV/AT, PM-1

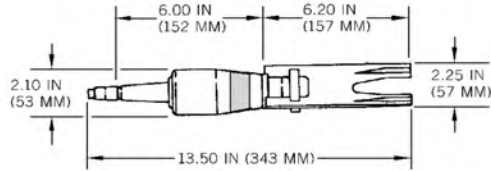
Ordnance used with:  
CB-250-K, CLUSTER BOMB  
CB 500, CLUSTER BOMB, 245 KG  
CB 500-K, CLUSTER BOMB, 500 KG  
CBU, NAAMAN-500



N.E.W. 257.00 G

---

## U.S. BOMB, HEAT/FRAG, MK 118 MODS 0 & 1



Ordnance used with:

MK 7 MOD 2, DISPENSER

MK 7 MOD 3, DISPENSER

MK 7 MOD 4, DISPENSER

MK 7 MOD 6, DISPENSER

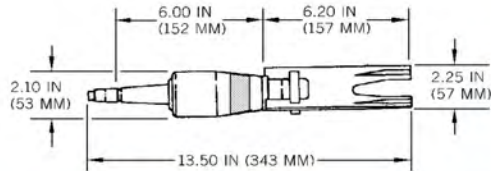
GRM, CLUSTER, GUIDED ROCKEYE MUNITION

MK 20 MOD 2 CBU

MK 20 MOD 3 CBU

N.E.W. 175.00 G

## U.S. BOMB, HEAT/FRAG, VECP MODIFIED



Ordnance used with:

MK 7 MOD 2, DISPENSER

MK 7 MOD 3, DISPENSER

MK 7 MOD 4, DISPENSER

MK 7 MOD 6, DISPENSER

MK 20 MOD 4 CBU

KMU-388/B, LASER GUIDANCE KIT,

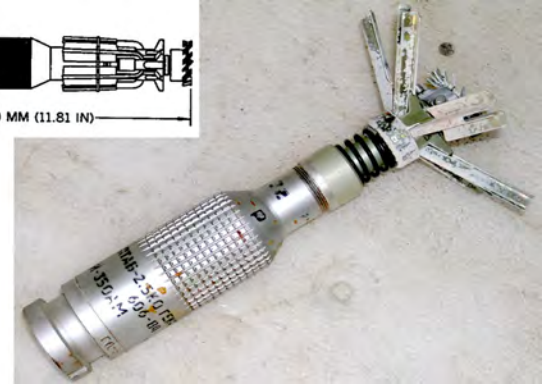
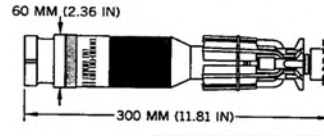
MK 96 MOD 0, ELECTRIC DETONATOR

N.E.W. 185.50 G

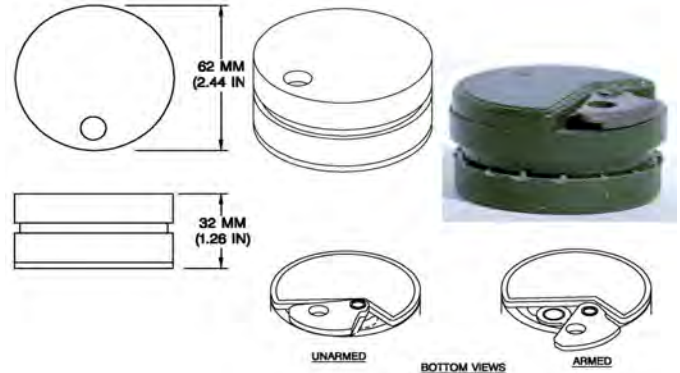
## U.S.S.R. BOMB, HEAT/FRAG, PTAB-2.5KO

Ordnance used with:  
KMGU  
KMGU-2, DISPENSER, CAPTIVE  
I-351A, IMPACT  
I-351AM, IMPACT, SD  
BKF PTAB-2.5 KO, SUBM. CONT. UNIT, BOMB DISP., EXPENDABLE

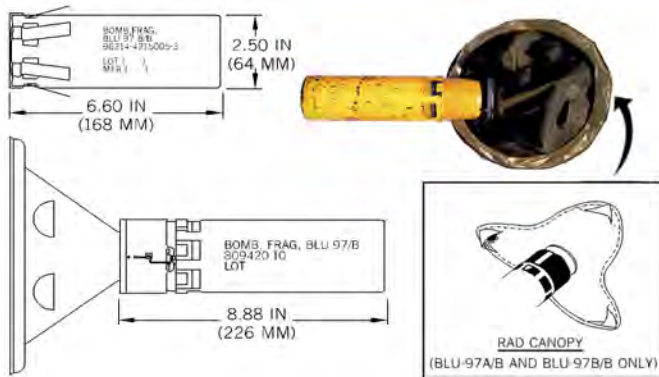
N.E.W. 200.00 G



## U.K. LANDMINE, APERS, L10A1 (RANGER)



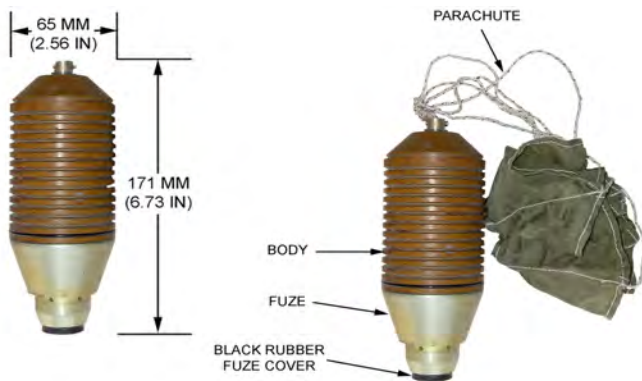
N.E.W. 10.00 G



**U.S. BOMB UNITS, LIVE, FRAG/HEAT, BLU-97/B, BLU-97A/B, AND BLU-97B/B; BOMB UNITS, TRAINING, BLU-97(T-1)/B, BLU-97(T-1)A/B,**

Ordnance used with:  
 SUU-65/B, DISPENSER  
 MK 10 MOD 0, MISSILE CAN. SYS (USED IN MK 44 MOD 2 (ABLS))  
 RGM-109D-3, GUIDED MISSILE, SURF-TO-SURF (TOMAHAWK)  
 RGM-109D-31, GUIDED MISSILE, SURF-TO-SURF (TOMAHAWK)  
 RGM-109D-4, GUIDED MISSILE, SURF-TO-SURF (TOMAHAWK)  
 RGM-109D-41, GUIDED MISSILE, SURF-TO-SURF (TOMAHAWK)  
 UGM-109D-1, GUIDED MISSILE, SUB-TO-SURF (TOMAHAWK)

N.E.W. 13.00 OZ

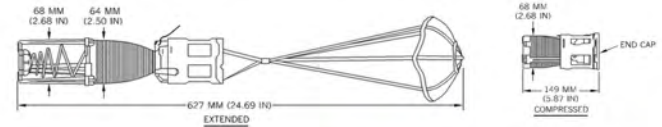


**FRENCH GRENADE, HE, FRAG, GR-66-EG**

Ordnance used with:  
 GDB, DISPENSER, 285 KG (BELOUGA)

N.E.W. 396.00 G

## U.K. BOMB, HEAT/FRAG, NO. 2 MK 1 (BL-755)



Ordnance used with:

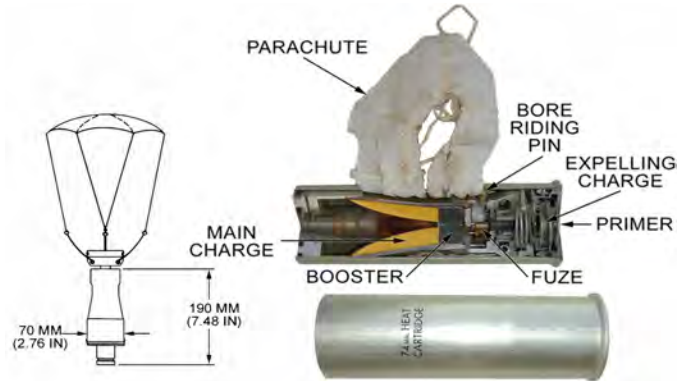
- NO. 1 MK 1, DISPENSER, HE, 600 LB (BL 755)
- NO. 1 MK 2, DISPENSER, HE, 600 LB (BL 755)
- NO. 1 MK 4, DISPENSER, HE, 600 LB (BL 755)
- NO. 1A MK 1, DISPENSER, HE, 600 LB (BL-755)
- NO. 1A MK 4, DISPENSER, HE, 600 LB (BL 755)
- NO. 1 MK 3, DISPENSER, HE, 600 LB (BL 755)



## FRENCH SUBMUNITION, 74-MM, HEAT, MODEL UNKNOWN

Ordnance used with:

- ALKAN GROUND ATTACK CARTRIDGE LAUNCHER, TYPE 500
- TYPE 500, DISPENSER (ALKAN)
- ALKAN GROUND ATTACK CARTRIDGE LAUNCHER, TYPE 530
- TYPE 530, DISPENSER (ALKAN)
- ALKAN GROUND ATTACK CARTRIDGE LAUNCHER, TYPE 5030
- TYPE 5030, DISPENSER (ALKAN)
- ALKAN GROUND ATTACK CARTRIDGE LAUNCHER, TYPE 5050

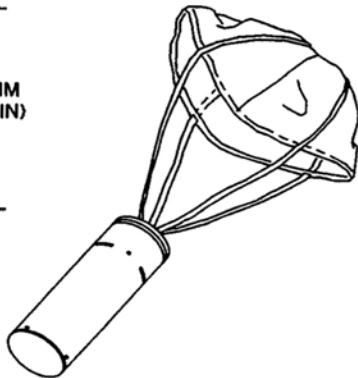
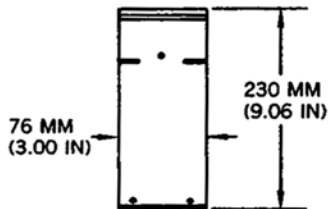




## U.K. BOMB, HEAT/FRAG, NO. 1 MK 1 (BL 755)

Ordnance used with:

- NO. 1 MK 1, DISPENSER, HE, 600 LB (BL 755)
- NO. 1 MK 2, DISPENSER, HE, 600 LB (BL 755)
- NO. 1 MK 4, DISPENSER, HE, 600 LB (BL 755)
- NO. 1A MK 1, DISPENSER, HE, 600 LB (BL-755)
- NO. 1A MK 4, DISPENSER, HE, 600 LB (BL 755)
- NO. 1 MK 3, DISPENSER, HE, 600 LB (BL 755)



## CHILEAN BOMBLET, AREA DENIAL, FRAG, INCENDIARY, PM-3

Ordnance used with:

- CB 770, CLUSTER BOMB, 400 KG

N.E.W. 588.00 G

**U.S. BOMB UNITS, BLU-63/B, BLU-63A/B, BLU-86/B  
AND BLU-86A/B; AND BOMB UNITS, TRAINING,  
BLU-63(T-1)/B; AND BLT(T-1)/B**

Ordnance used with:

GBU-2A/B

SUU-30B/B, DISPENSER

SUU-30H/B, DISPENSER

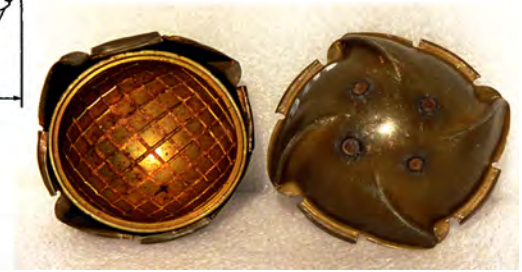
MGM-52C, GUIDED MISSILE, SURFACE-TO-SURFACE (LANCE)

CBU-71A/B

CBU-71/B

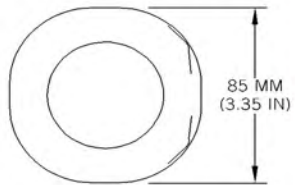
M219E1, FUZE, IMPACT FIRED

N.E.W. 113.00 G

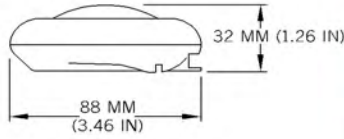


**BULGARIAN RADIO FREQUENCY JAMMERS, RO-045  
AND RO-046**

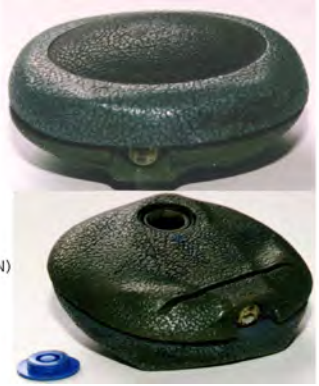
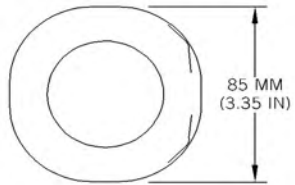




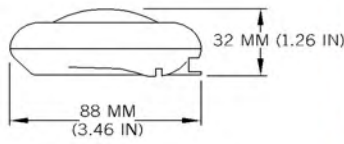
**ITALIAN LANDMINE, APERS, ANTI-DISTURBANCE, SB-33/AR; PORTUGUESE M412; SPANISH P-5; AND GREEK EM-20**



N.E.W. 17.00 G



**ITALIAN LANDMINE, APERS, SB-33; PORTUGUESE M412; AND SPANISH P-5**

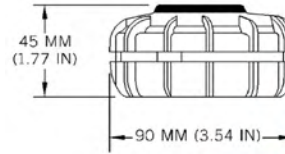


N.E.W. 36.00 G



## EGYPTIAN LANDMINE, APERS, T/79

Ordnance used with:  
VS-AR4, ANTILIFT DEVICE

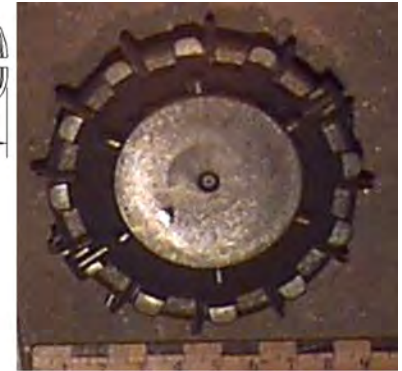
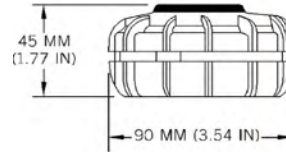


N.E.W. 54.00 G

---

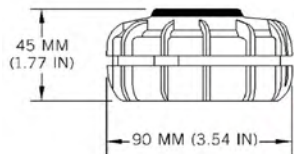
## IRANIAN LANDMINE, APERS, YM-I

Ordnance used with:  
VS-AR4, ANTILIFT DEVICE



N.E.W. 54.00 G

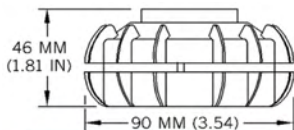
---



## ITALIAN LANDMINE, APERS, VS-50; AND TRAINING

Ordnance used with:  
VS-AR4, ANTILIFT DEVICE

N.E.W. 44.00 G



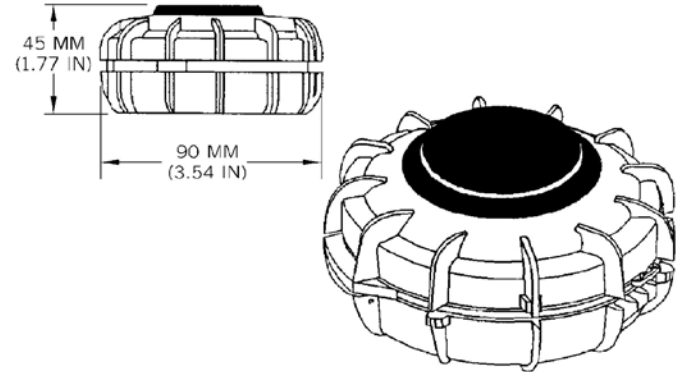
## ITALIAN LANDMINES, APERS TS-50; AND TRAINING

Ordnance used with:  
VS-AR4, ANTILIFT DEVICE

N.E.W. 54.00 G

## SINGAPORE LANDMINE; APERS, SPM-1

Ordnance used with:  
VS-AR4, ANTILIFT DEVICE



N.E.W. 44.00 G

---

## U.S. BOMB UNIT, FRAG, BLU-61A/B

Ordnance used with:  
SUU-30B/B, DISPENSER  
SUU-30H/B, DISPENSER  
SUU-51B/B, DISPENSER, AIRCRAFT  
CBU-52B/B  
M219A1, FUZE, IMPACT  
M219E1, FUZE, IMPACT FIRED  
CBU-76/B



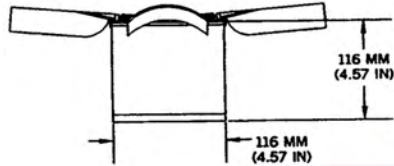
N.E.W. 278.40 G

---



### U.K. LANDMINE, AREA DENIAL, HB876

Ordnance used with:  
NO. 2 MK 1, DISPENSER  
JP233, AIRFIELD ATTACK WEAPON SYSTEM



### YUGOSLAV MINE, ANTITANK, ABABEEL/ABABEL/KPTM/KRTM, /YU-S-AT (MULTIPLE COUNTRY DEVELOPED MINE)

Ordnance used with:  
ABABEL 50, 262MM, HE, M87



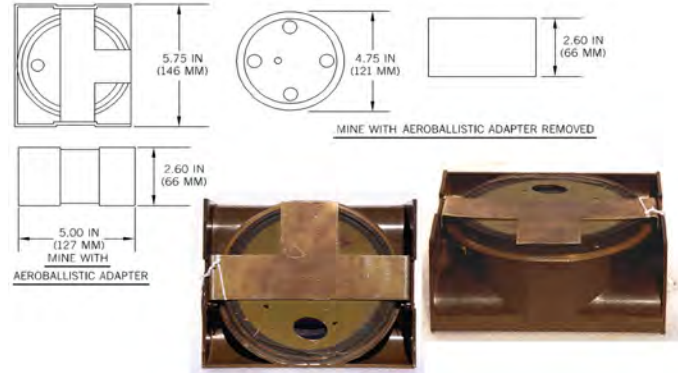
N.E.W. 700.00 G

## U.S. LANDMINE, APERS, BLU-92/B (GATOR)

Ordnance used with:

MK 7 MOD 2, DISPENSER  
MK 7 MOD 3, DISPENSER  
MK 7 MOD 4, DISPENSER  
MK 7 MOD 6, DISPENSER  
SUU-58/B, DISPENSER  
SUU-64/B, DISPENSER  
CBU-89/B

N.E.W. 437.00 G

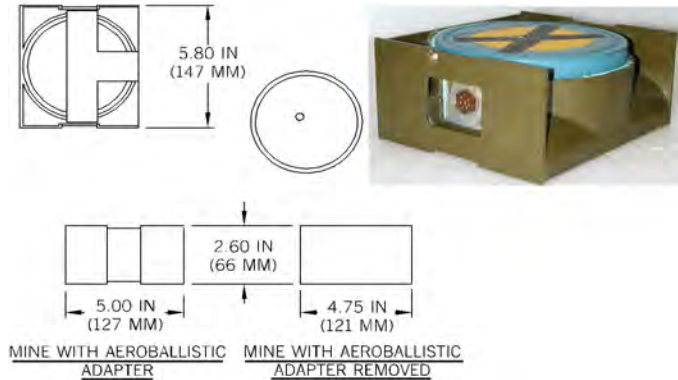


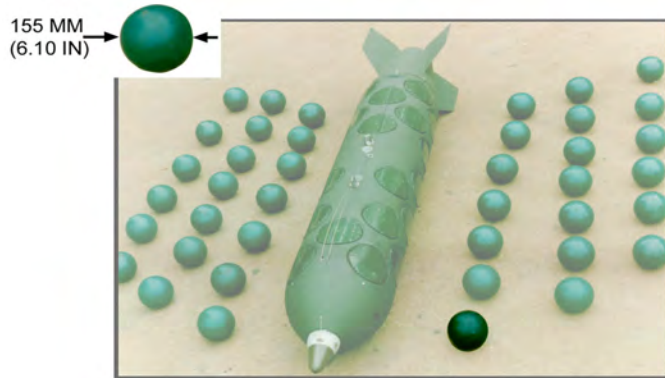
## U.S. LANDMINE, AT/AV, BLU-91/B (GATOR)

Ordnance used with:

MK 7 MOD 2, DISPENSER  
MK 7 MOD 3, DISPENSER  
MK 7 MOD 4, DISPENSER  
MK 7 MOD 6, DISPENSER  
SUU-58/B, DISPENSER  
SUU-64/B, DISPENSER  
CBU-89/B

N.E.W. 1.40 LB

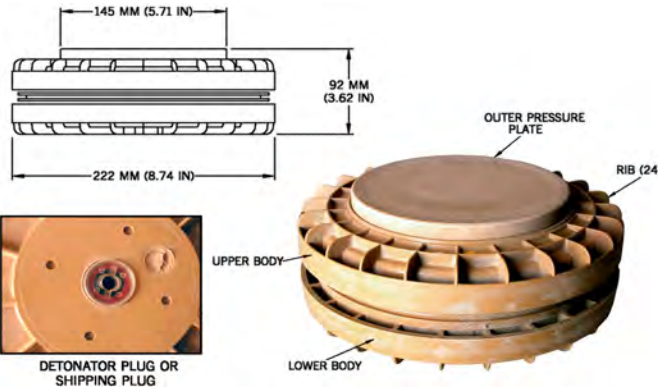




## SOUTH AFRICAN BOMB, 6.20-KG, APERS, ALPHA

Ordnance used with:  
CB 470, CLUSTER BOMB, 450 KG

N.E.W. 1.80 KG



## ITALIAN LANDMINE, AT, MODEL VS 1.6 MOD 1

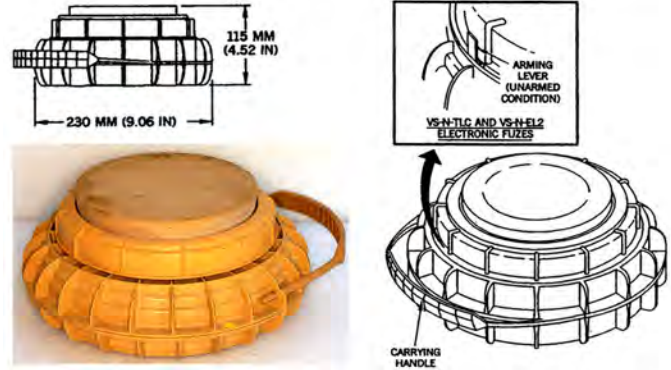
Ordnance used with:  
VS-AR4, ANTILIFT DEVICE

N.E.W. 1.92 KG

## ITALIAN LANDMINE, AT, VS-2.2 (TYPE 2)

Ordnance used with:  
VS-AR4, ANTI-LIFT DEVICE  
VS-N-TLC, ELECTRONIC, FIELD PGM, R/C PRESS.-ACTUATED  
VS-N-EL2, ELECT., FIELD PGM, PRESS./ANTIDISTURBANCE  
VS-N/AR-AN, ELECTRONIC, ANIT-REMOVAL/DISTRUBANCE  
VS-N, PRESSURE-ACTUATED

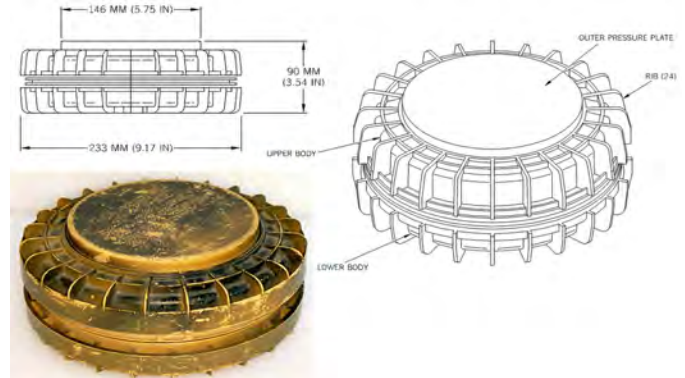
N.E.W. 2.27 KG

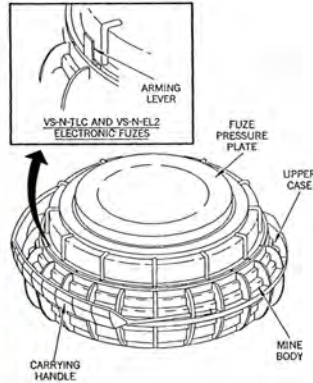
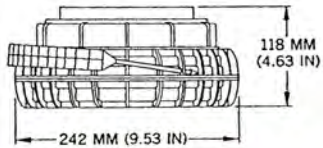


## ITALIAN LANDMINE, AT, MODEL VS 1.6

Ordnance used with:  
VS-AR4, ANTI-LIFT DEVICE  
MODEL UNKNOWN, DETONATOR, STAB

N.E.W. 1.92 KG





## ITALIAN LANDMINES, AT, VS-2.2 TYPE 1

Ordnance used with:

VS-AR4, ANTILIFT DEVICE

VS-N-TLC, ELEC., FIELD PGM, R/C PRESSURE-ACTUATED

VS-N-EL2, ELEC., FIELD PGM, PRESS./ANTIDISTURBANCE

VS-N/AR-AN, ELECTRONIC, ANIT-REMOVAL/DISTRUBANCE

VS-N, PRESSURE-ACTUATED

N.E.W. 2.17 KG

## U.K. BOMB RUNWAY PENETRATOR, 26-KG, NO. 1 MK 1 (SG-357)



Ordnance used with:

NO. 1 MK 1, DISPENSER

JP233, AIRFIELD ATTACK WEAPON SYSTEM



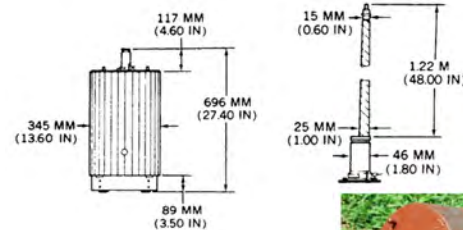
## U.S.S.R. LANDMINE, APERS, POM-2S

Ordnance used with:  
9M18, 122 MM, MINE DISPENSING, APERS  
PKM, PORTABLE LANDMINE DISPENSING SYSTEM  
PKPI, DISPENSER, CAPTIVE, HELICOPTER MOUNTED  
PKPI-1  
UMZ, MULTI-PURPOSE MINE LAYER



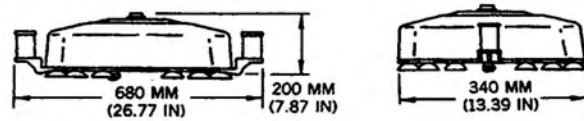
## U.S. BOMB UNITS, FAE, BLU-73/B (OBSOLETE) AND BLU-73A/B

Ordnance used with:  
SUU-49/B, DISPENSER  
SUU-49A/B, DISPENSER  
CBU-72/B  
CBU-58A/B  
CBU-55A/B  
FMU-95/B, IMPACT



N.E.W. 368.00 G

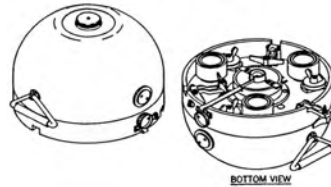
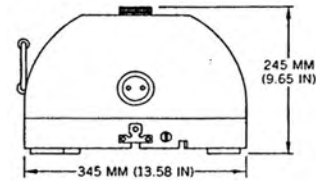
## ITALIAN LIMPET MINE, VS-SS-22



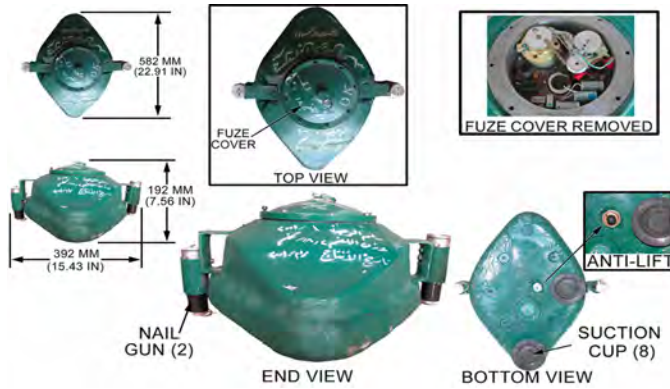
N.E.W. 9.50 KG

## YUGOSLAV LIMPET MINE, M71

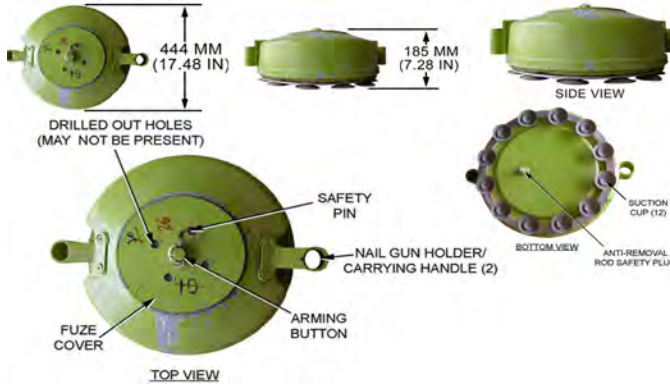
Ordnance used with:  
SU-10C M66/1, FIRING DEVICE



N.E.W. 3.28 KG



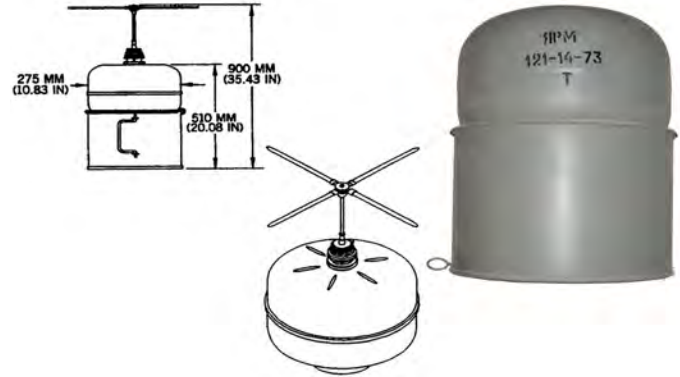
**IRAQI LIMPET MINE, MODEL UNKNOWN, IMPROVISED**



**UNKNOWN COUNTRY LIMPET MINE, MODEL UNKNOWN**

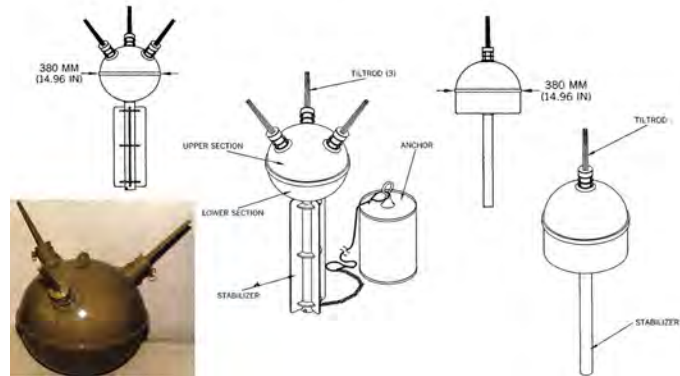
## U.S.S.R. NAVAL MINE, SHALLOW-WATER, MOORED, CONTACT, YARM

Ordnance used with:  
VRM, TILTROD, STIKER RELEASE

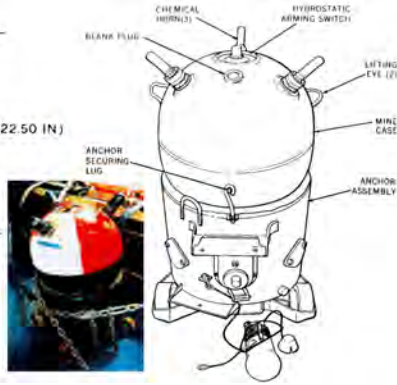
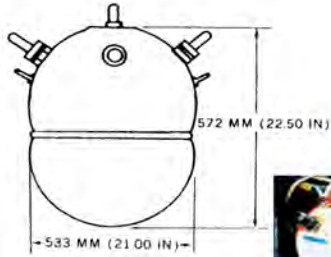


N.E.W. 3.03 KG

## EGYPTIAN NAVAL MINES, MOORED, CONTACT, SHALLOW WATER

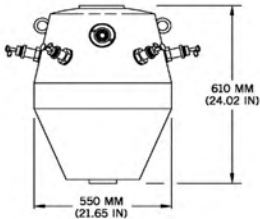


N.E.W. 18.00 KG



**U.S.S.R. NAVAL MINE, CONTACT MYAM, (IRAQI AL MARA) (IRANIAN SADAF-01)**

N.E.W. 43.00 LB



**IRAQI NAVAL MINE, MOORED/DRIFTING, CONTACT, AL-MUTHENA/35**

N.E.W. 35.00 KG

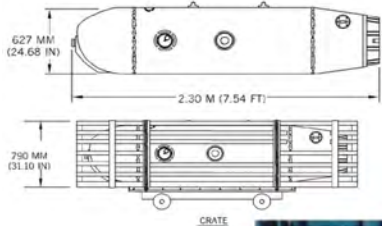
**IRAQI NAVAL MINE, MOORED/DRIFTING, CONTACT,  
AL-MUTHENA/45**



N.E.W. 45.00 KG

**MODEL UNKNOWN, DRIFTING CONTACT,  
IMPROVISED**





**U.S.S.R. NAVAL MINE, BOTTOM,  
ACOUSTIC-INFLUENCE, UDM**

N.E.W. 645.35 KG



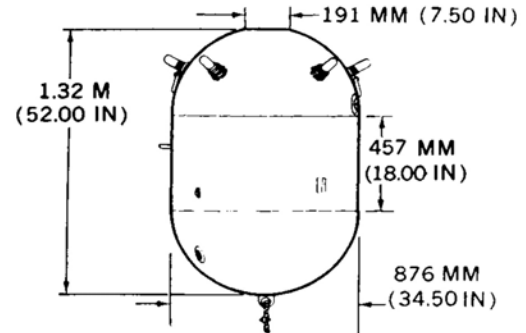
**IRAQI NAVAL MINE, MOORED, CONTACT, TAHADDI**

**U.S.S.R. NAVAL MINE, MOORED, CONTACT, M-08**

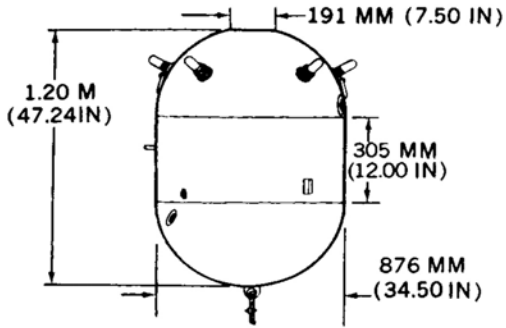


**U.S.S.R. NAVAL MINE, MOORED, CONTACT, MKB**

Ordnance used with:  
ANTIPARAVANE DEVICE







### U.S.S.R. NAVAL MINE, MOORED, CONTACT, MKB-3

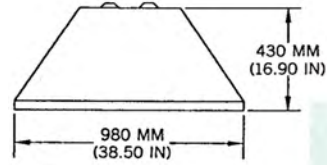
Ordnance used with:  
ANTIPARAVANE DEVICE



### IRAQI NAVAL MINE, BOTTOM, INFLUENCE SIGEEL/400

N.E.W. 400.00 KG

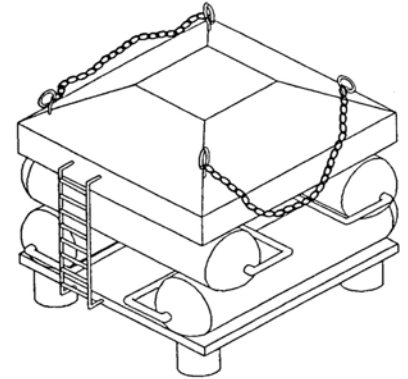
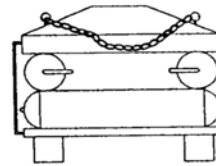
**ITALIAN NAVAL MINE, BOTTOM, INFLUENCE, MANTA**



N.E.W. 180.00 KG

---

**IRAQI DEMOLITION MINE, ALKAAKAA/16**

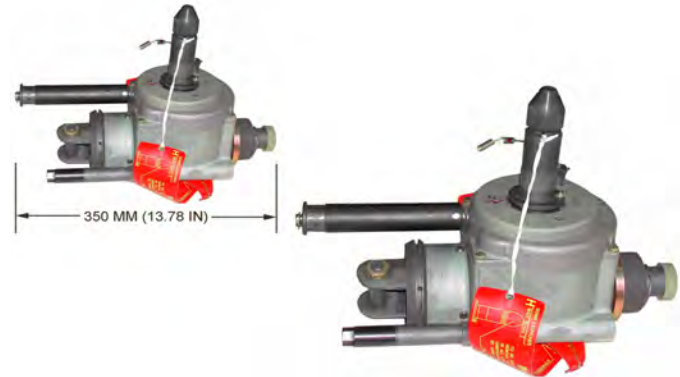


N.E.W. 26000.00 LB

---

## FRENCH BOMB FIN ASSEMBLY, AIR INFLATABLE RETARDER, COMBINED SYSTEM, TYPE 200 F

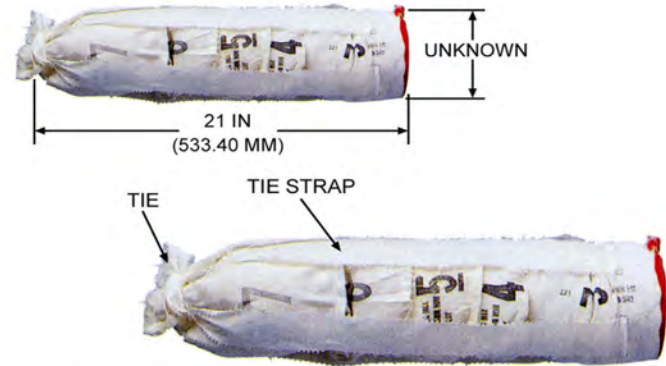
Ordnance used with:  
TYPE 200A, AIR INFLATABLE RETARDER



---

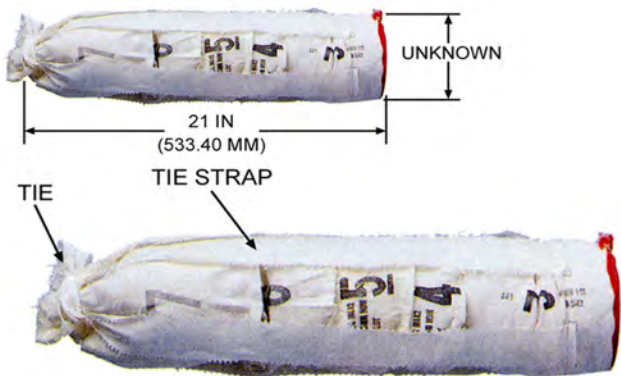
## U.S. PROPELLING CHARGE, 155-MM, M4A1

Ordnance used with:  
M121A1, 155-MM, GAS, VX OR GB  
M804, 155-MM, PRACTICE  
M107, 155 MM, HE  
M110, 155 MM, GAS, H OR HD  
MK 2A4, PERCUSSION PRIMER



N.E.W. 6.16 KG

---



## U.S. PROPELLING CHARGE, 155-MM, M4A2

Ordnance used with:

M692, 155-MM, HE, ADAM

M731, 155MM, HE, ADAM

M795, 155-MM, HE

M804, 155-MM, PRACTICE

M107, 155 MM, HE

MK 2A4, PERCUSSION PRIMER

M107, 155 MM, HE

N.E.W. 6.21 KG



## YUGOSLAV SIMULATOR, BLAST, M81

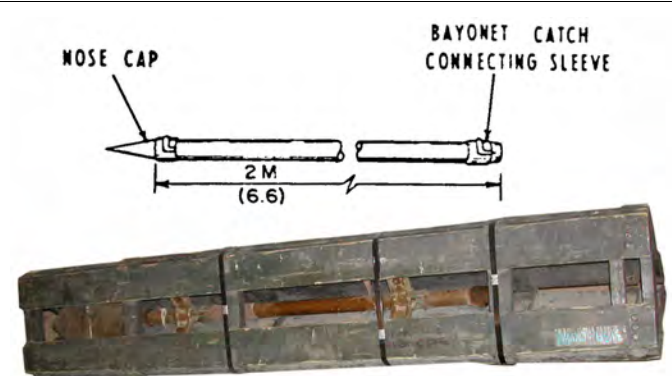
N.E.W. 65.00 G

## U.K. CHARGE, DEMOLITION, EXTRUDABLE, DEMEX 400

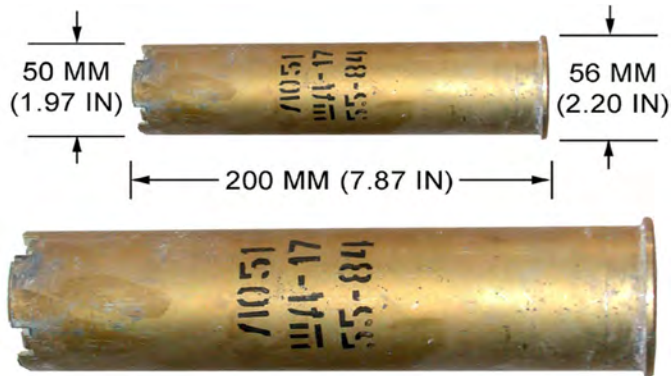


N.E.W. 200.00 G

## U.S.S.R. LINE CHARGE, BDT



N.E.W. 117.60 LB



**U.S.S.R. SIGNAL FLARE, 50-MM, LO51**



**ITALIAN DEMOLITION CHARGE, 200 G.**

N.E.W. 200.00 G

## ITALIAN DEMOLITION CHARGE, 500 G

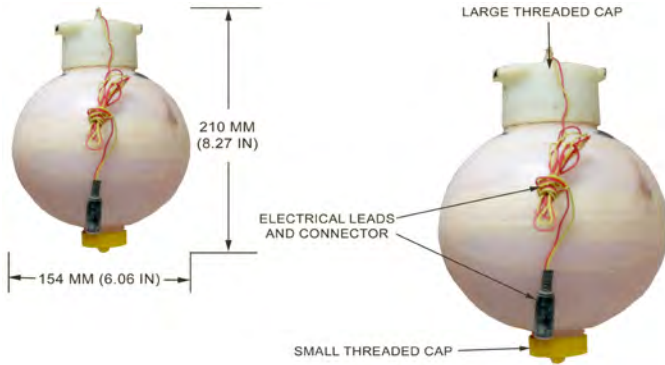


N.E.W. 500.00 G

## SPANISH FIRE BOMB IGNITER, WP, MODEL UNKNOWN

Ordnance used with:  
EMBI, BOMB, NOSE/TAIL, IMPACT

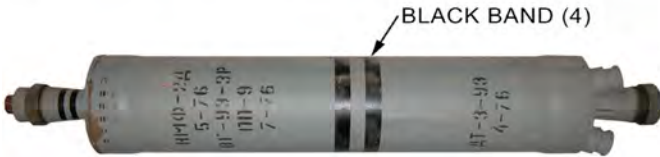




**FRENCH CHEMICAL ATTACK SIMULATOR,  
SIMULTOX**

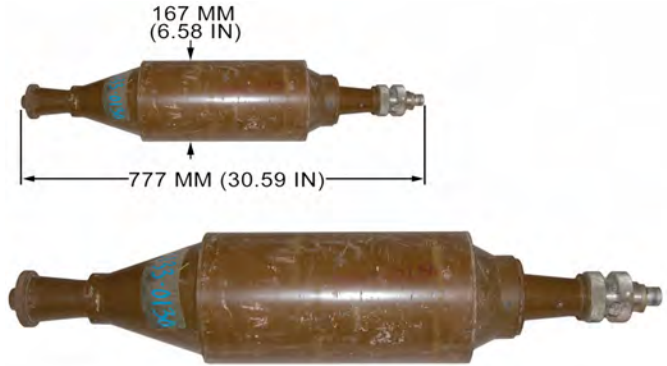


**U.S.S.R. ROCKET MOTOR, NMF-2D**





## U.S.S.R. ROCKET MOTOR, MODEL UNKNOWN



## IRAQI IMPROVISED DEMOLITION MUNITION (BICYCLE WHEEL/HOOVER DEVICE)

Ordnance used with:  
TD 641, TIMER, DEMOLITION  
MDL UNK, TIME & POWER UNIT (FOR BICYCLE WHEEL/HOOVER...

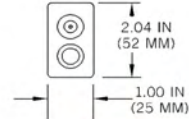
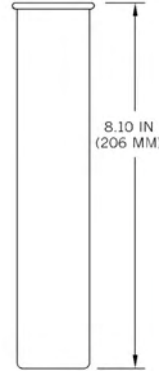


## U.S. CARTRIDGE, FLARE, INFRARED COUNTERMEASURES, MJU-7/B

Ordnance used with:

AN/ALE-40 (V), DISPENSER, COUNTERMEASURES, AIRCRAFT  
AN/ALE-45, DISPENSER, COUNTERMEASURE, AIRCRAFT  
AN/ALE-47, DISPENSER, COUNTERMEASURES, AIRCRAFT  
MJU-12/A, MAGAZINE, AIRCRAFT, FLARE  
MODEL UNDESIG, PELLET, FLARE (MECHANICAL VERSION)  
MODEL UNDESIG, PELLET, SMOKE (PARASITIC VERSION)  
AN/ALE-52, DISPENSER, CNTRMSRES, AIRCRAFT, FLARE/CHAFF

N.E.W. 1.00 G

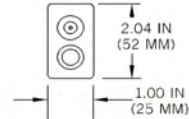
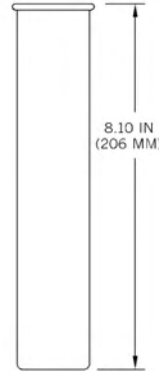


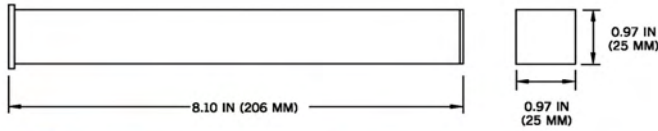
## U.S. CARTRIDGE, FLARE, INFRARED COUNTERMEASURES, MJU-7A/B

Ordnance used with:

AN/ALE-40 (V), DISPENSER, COUNTERMEASURES, AIRCRAFT  
AN/ALE-45, DISPENSER, COUNTERMEASURE, AIRCRAFT  
AN/ALE-47, DISPENSER, COUNTERMEASURES, AIRCRAFT  
MJU-12/A, MAGAZINE, AIRCRAFT, FLARE  
MODEL UNDESIGNATED, PELLET, SMOKE (PARASITIC VERSION)  
AN/ALE-52, DISPENSER, CNTRMSRES, AIRCRAFT, FLARE/CHAFF  
MULTI-PAYLOAD DISPENSER ASSY, FLARE/CHAFF (F/A-22)

N.E.W. 1.00 G



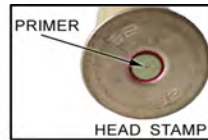
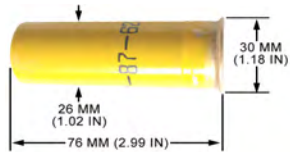


## U.S. CARTRIDGE, FLARE, M206

Ordnance used with:

- AN/ALE-40 (V), DISPENSER, COUNTERMEASURES, AIRCRAFT
- AN/ALE-45, DISPENSER, COUNTERMEASURE, AIRCRAFT
- AN/ALE-47, DISPENSER, COUNTERMEASURES, AIRCRAFT
- M130, DISPENSER, AIRCRAFT, GENERAL PURPOSE
- XM130, DISPENSER, AIRCRAFT, GENERAL PURPOSE
- CH-53A, AIRCRAFT, HELICOPTER, (SEASTALLION)
- CH-53C, AIRCRAFT, HELICOPTER, (SEA STALLION)

N.E.W. 6.00 OZ



## CHINESE SIGNAL FLARE, CARTRIDGE, 26-MM, COLORED, TYPE 57



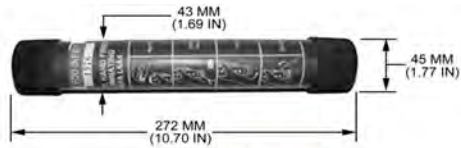
N.E.W. 44.00 G

**UNKNOWN COUNTRY SIGNAL FLARE, HAND, GREEN STAR, MODEL UNKNOWN**

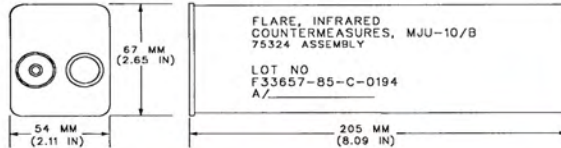


**U.S.S.R. FLARE, HAND, DAY-NIGHT, MODEL UNKNOWN**





## U.K. ILLUMINATION FLARE, CARTRIDGE, PARACHUTE, L5A4



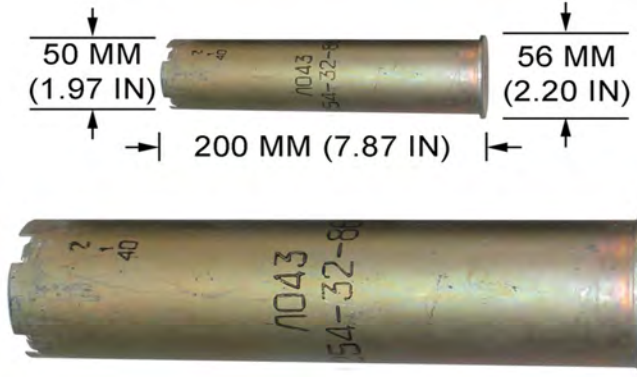
## U.S. CARTRIDGE, FLARE, COUNTERMEASURES, MJU-10/B



Ordnance used with:

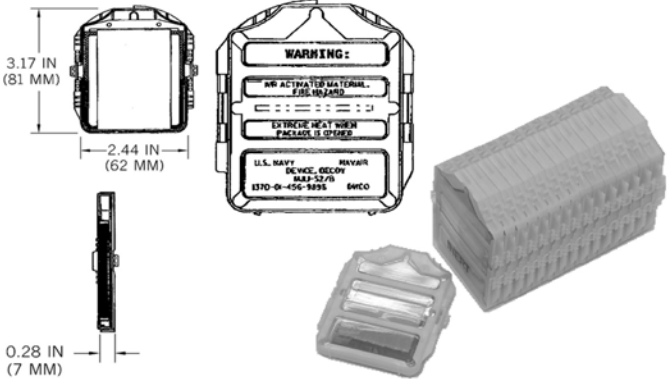
- AN/ALE-40 (V), DISPENSER, COUNTERMEASURES, AIRCRAFT
  - AN/ALE-45, DISPENSER, COUNTERMEASURE, AIRCRAFT
  - C-5A, AIRCRAFT, CARGO (GALAXY)
  - C-5B, AIRCRAFT, CARGO (GALAXY)
  - F-15E, AIRCRAFT, FIGHTER (EAGLE)
  - MJU-17/A, MAGAZINE, AIRCRAFT, FLARE
  - MJU-41/A, MAGAZINE, FLARE, COUNTERMEASURE, AIRCRAFT
- N.E.W. 2.00 LB

**U.S.S.R. SIGNAL FLARE, 50-MM, LO43**

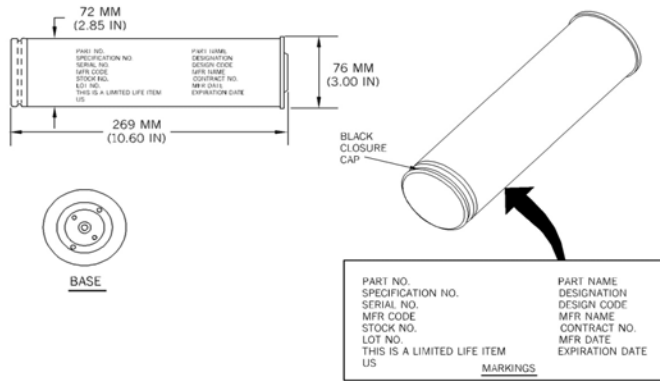


**U.S. FLARE DECOY, INFRARED, MJU-52/B (BOL-IR)**

Ordnance used with:  
 LAU-138A/A, DISPENSER, FLARE/CHAFF, COUNTERMEASURE  
 AN/ALE-58, DISPENSER, CNTRMSRES, AIRCRAFT, FLARE/CHAFF  
 BOL-515, DISPENSER, CNTRMSRES, AIRCRAFT, FLARE/CHAFF



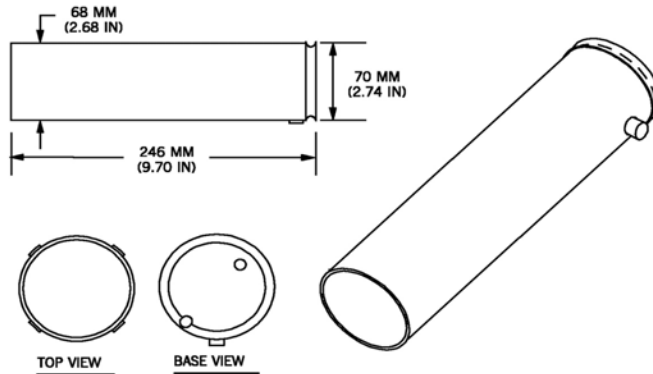
N.E.W. 1.50 OZ



## U.S. CARTRIDGE, FLARE, INFRARED COUNTERMEASURES, MJU-23/B

Ordnance used with:  
AN/ALE-49, DISPENSER, AIRCRAFT, FLARE (B-1B)

N.E.W. 3.20 LB

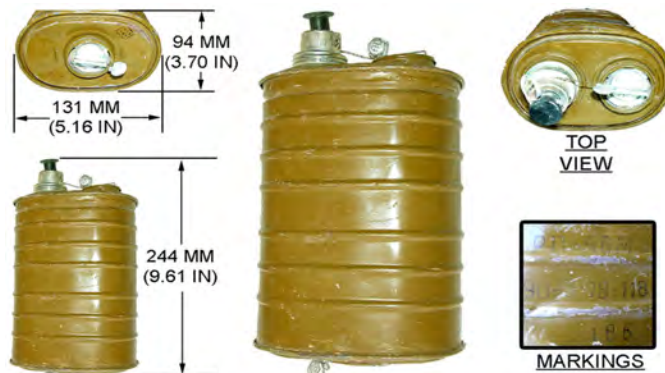


## U.S. CARTRIDGE, FLARE, INFRARED COUNTERMEASURES, MJU-23A/B

Ordnance used with:  
AN/ALE-49, DISPENSER, AIRCRAFT, FLARE (B-1B)

N.E.W. 3.10 LB

## U.S.S.R. SMOKE POT, RP-46M



## U.S.S.R. SMOKE POT, DM-11

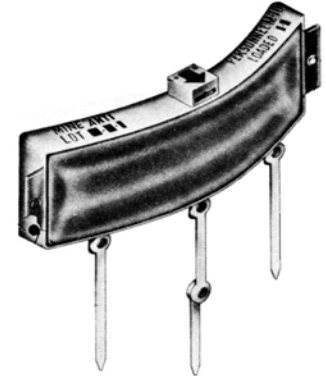
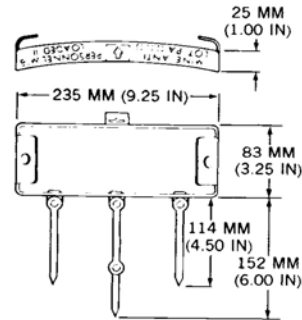




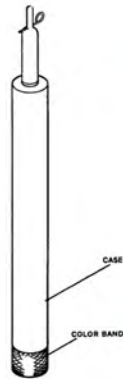
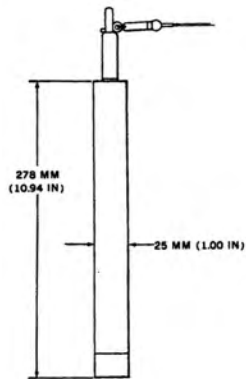
**CHINESE LANDMINE, APERS, CLAYMORE, TYPE 66**



**U.S. LANDMINE, APERS, HE, M18**

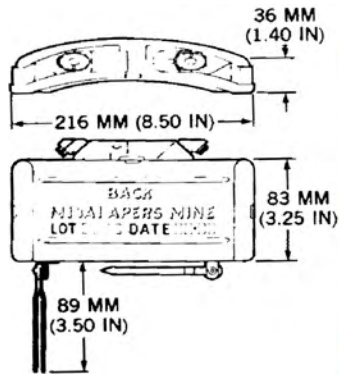


N.E.W. 340.00 G



## U.S.S.R. LANDMINE, SIGNAL, SM

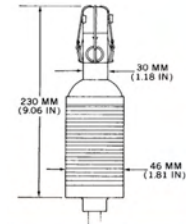
Ordnance used with:  
 MUV, PULL  
 MUV-2, FIRING DEVICE, PULL/PRESSURE  
 MUV-3, FIRING DEVICE, PULL/PRESURE



## U.S. LANDMINE, APERS, HE, M18A1; & PRACTICE, M68

N.E.W. 680.00 G

## BELGIAN LANDMINE, APERS, MODEL NR 413



N.E.W. 95.00 G

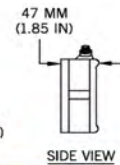
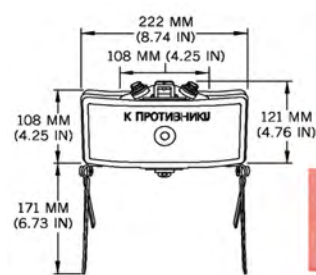
## U.S.S.R. LANDMINE, APERS, FRAG, MON-50

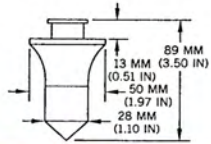
Ordnance used with:

MUV-4, PULL

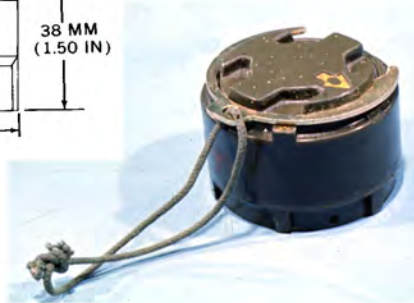
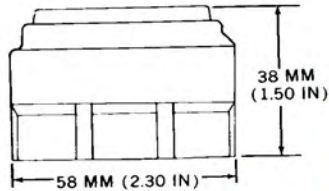
MUV, PULL

MUV-2, FIRING DEVICE, PULL/PRESSURE





## CANADIAN LANDMINE, APERS, C-3A1 (ELSIE)



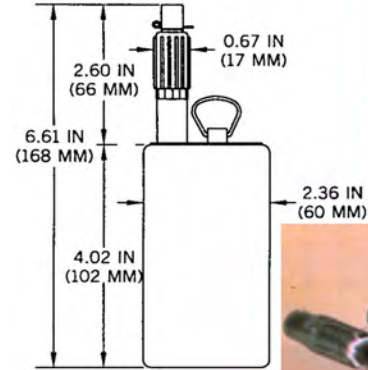
## U.S. LANDMINES, APERS, HE, M14 & M14E1; & LANDMINE, APERS, PRACTICE, M17

Ordnance used with:  
T1204, AP

N.E.W. 29.00 G

## CHINESE LANDMINE, APERS (BOUNDING), TYPE 69

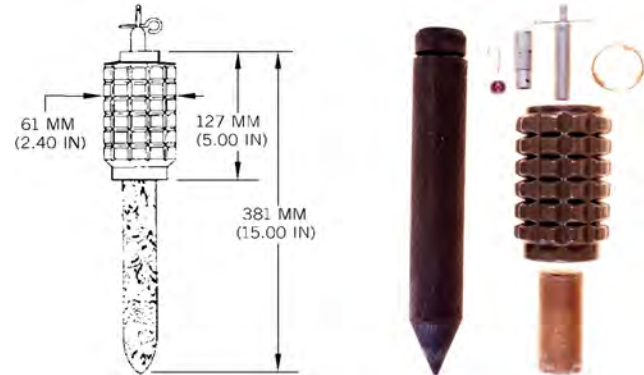
Ordnance used with:  
MODEL UNKNOWN, LANDMINE, PULL/PRESSURE

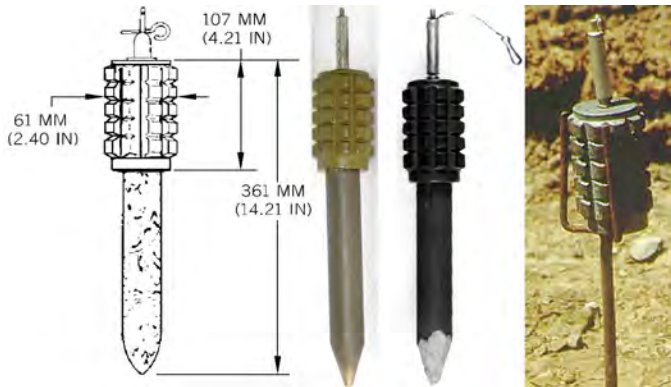


N.E.W. 110.00 G

## U.S.S.R. LANDMINE: APERS, POMZ-2 AND PRACTICE, UIPOMZ-2

Ordnance used with:  
MUV-4, PULL  
MODEL UNKNOWN, PULL  
MUV, PULL  
MUV-2, FIRING DEVICE, PULL/PRESSURE  
MUV-3, FIRING DEVICE, PULL/PRESSURE  
MV-5, FUZE, LANDMINE, AT, PRESSURE  
NM, INITIATOR, ELECTRIC

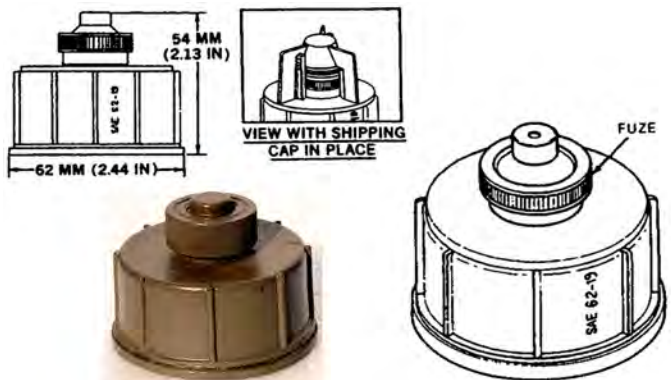




## U.S.S.R. LANDMINE: APERS, POMZ-2M

Ordnance used with:  
 MUV-4, PULL  
 MODEL UNKNOWN, PULL  
 MUV, PULL  
 MUV-2, FIRING DEVICE, PULL/PRESSURE  
 MUV-3, FIRING DEVICE, PULL/PRESSURE  
 MV-5, FUZE, LANDMINE, AT, PRESSURE  
 NM, INITIATOR, ELECTRIC

N.E.W. 75.00 G



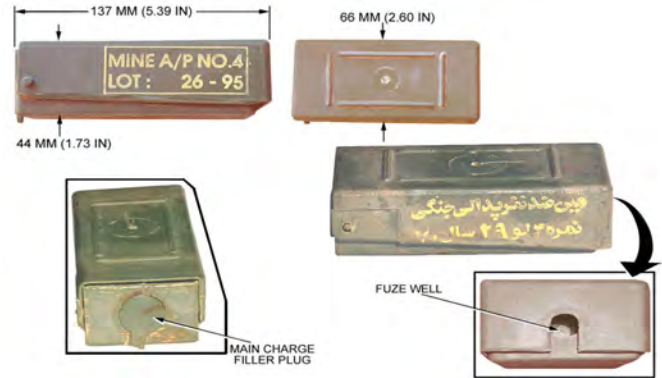
## FRENCH LANDMINE, APERS, HE & PRACTICE, MODEL 59 "INKSTAND"

Ordnance used with:  
 NM SAE 59, LANDMINE, APERS, PRESSURE

N.E.W. 74.00 G

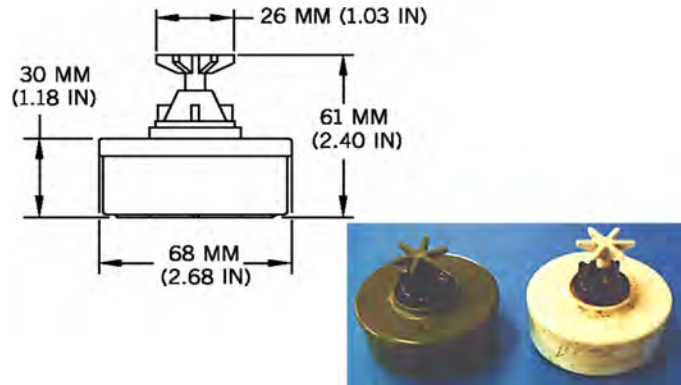
## IRANIAN LANDMINE, APERS, NO. 4 (PEDAL)

Ordnance used with:  
MODEL UNKNOWN, LANDMINE, PRESSURE (FOR NO. 4 PEDAL)



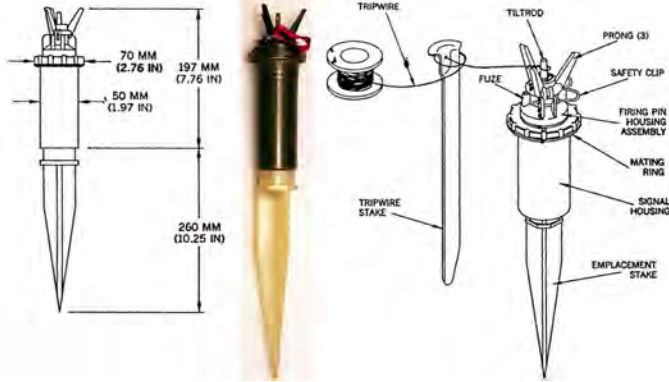
## YUGOSLAV LANDMINES, APERS, PMA-2; AND PRACTICE, VPMA-2

Ordnance used with:  
UPMAH-2, LANDMINE, APERS, PRESSURE

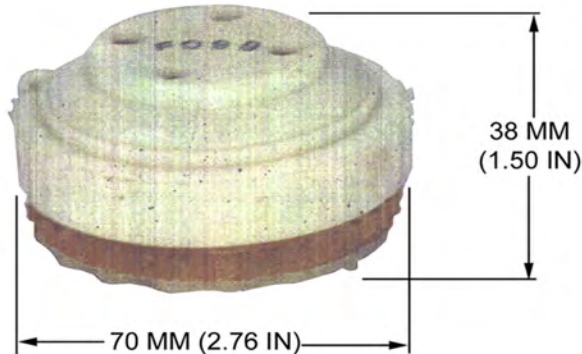


N.E.W. 100.00 G

## ITALIAN LANDMINE, ILLUMINATION, VS-T



## PAKISTANI LANDMINE, APERS, P2 MK2



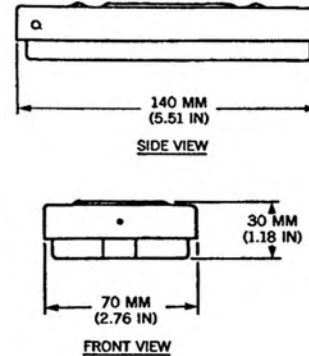
Ordnance used with:  
P2 MK2, AT, NONMETALLIC  
P3 MK 2, AT

N.E.W. 58.00 G



## YUGOSLAV LANDMINES, APERS, PMA-1, PMA-1A, & PRACTICE, VPMA-1A

Ordnance used with:  
UPM-1, FIRING DEVICE, PULL/PRESSURE/TENSION RELEASE  
UPMAH-1, LANDMINE, APERS, PRESSURE



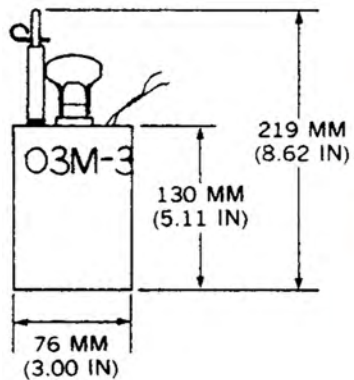
N.E.W. 200.00 G

## YUGOSLAV LANDMINES, APERS, BOUNDING, (FRAG), PROM-1 AND PRACTICE VPROM-1

Ordnance used with:  
UPROM-1, LANDMINE, APERS, PRESSURE/PULL  
M61-1, LANDMINE, APERS, PULL

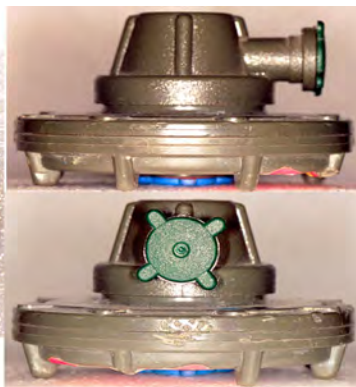


N.E.W. 448.00 G



**U.S.S.R. LANDMINE, APERS, OZM-3**

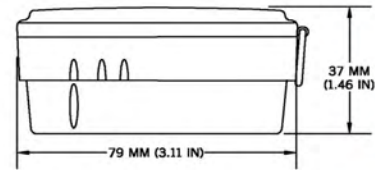
N.E.W. 75.00 G



**ITALIAN LANDMINE, APERS, MODEL VAR/40**

N.E.W. 49.00 G

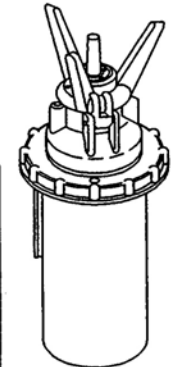
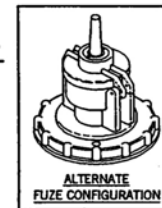
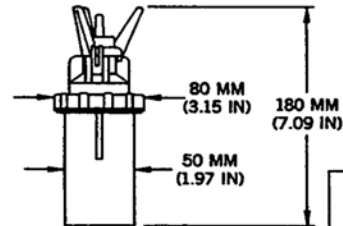
## CHINESE LANDMINES, APERS, TYPES 72, 72B, AND 72C

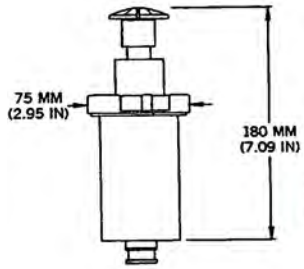


N.E.W. 51.00 G

## ITALIAN LANDMINE, APERS, P-25 (W/TYPE 1 FUZE)

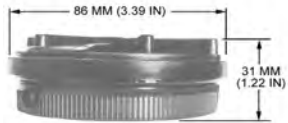
Ordnance used with:  
TYPE 1, LANDMINE, APERS, PULL/PRESSURE  
TYPE 2, LANDMINE, APERS, PULL/PRESSURE





## ITALIAN LANDMINE, APERS, P-25 (W/TYPE 2 FUZE)

Ordnance used with:  
 TYPE 1, LANDMINE, APERS, PULL/PRESSURE  
 TYPE 2, LANDMINE, APERS, PULL/PRESSURE

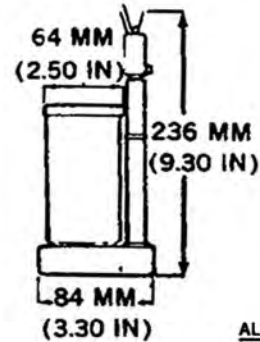


## BELGIAN LANDMINE, APERS, PRB-M409

N.E.W. 0.18 LB

## U.S. LANDMINE, APERS, HE, M2A4

Ordnance used with:  
M6A1, LANDMINE, APERS, COMBINATION  
UNDESIGNATED, WARHEAD, LANDMINE, APERS



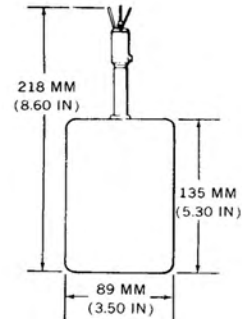
**ALTERNATE FUZE  
M2 SERIES**



N.E.W. 200.50 G

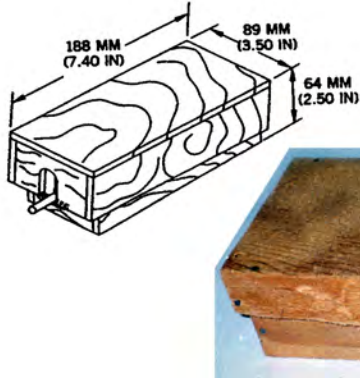
## U.S. LANDMINES, APERS, HE, M3, M3A1, & M3B1; LANDMINE, INERT, M3

Ordnance used with:  
M3, LANDMINE, APERS, PULL/PRESSURE  
M7, LANDMINE, PULL/PRESSURE

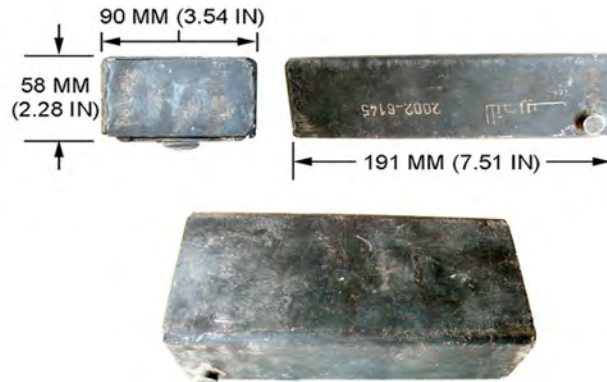


N.E.W. 1.00 LB

## U.S.S.R. LANDMINES, APERS, PMD-6 AND PMD-6M



N.E.W. 200.00 G

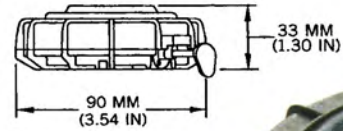


## IRAQI LANDMINE, APERS, TRAINING, MODEL UNKNOWN

Ordnance used with:  
MODEL UNKNOWN, LANDMINE, PRESSURE

## ITALIAN LANDMINE, APERS, VS-MK 2 AND VS-MK 2 AR-AN

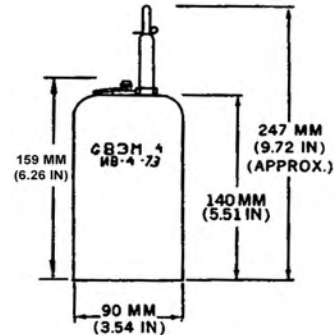
Ordnance used with:  
FIROS-30, 122-MM, ICM  
GRILLO, 95MM, MINE LAUNCHER

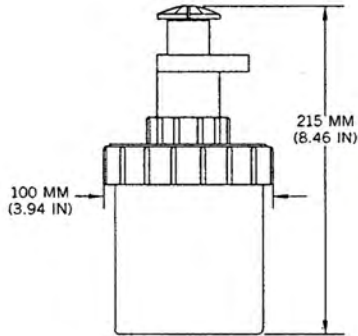


N.E.W. 23.00 G

## U.S.S.R. LANDMINE, APERS, BOUNDING, OZM-4

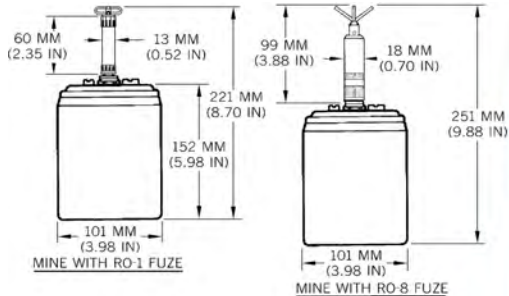
Ordnance used with:  
MUV-4, PULL  
MUV, PULL  
MUV-2, FIRING DEVICE, PULL/PRESSURE  
MUV-3, FIRING DEVICE, PULL/PRESURE  
VPF, FIRING DEVICE, PULL





## ITALIAN LANDMINE, P-40 TYPE 2

Ordnance used with:  
 TYPE 1, LANDMINE, APERS, PULL/PRESSURE  
 TYPE 2, LANDMINE, APERS, PULL/PRESSURE



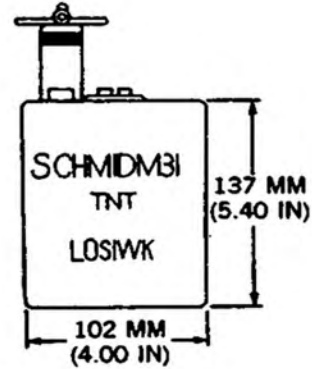
## CZECHOSLOVOKIAN LANDMINES, APERS, PP-MI-SR AND PP-MI-SR II

Ordnance used with:  
 RO-1, LANDMINE, PULL/PRESSURE  
 RO-8, LANDMINE, PRESSURE  
 UPM-1, FIRING DEVICE, PULL/PRESSURE/TENSION RELEASE



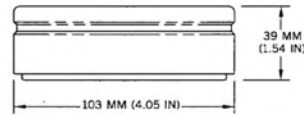
## GERMAN LANDMINE, APERS, DM-31

Ordnance used with:  
DM 56, LANDMINE, APERS, PULL/PRESSURE

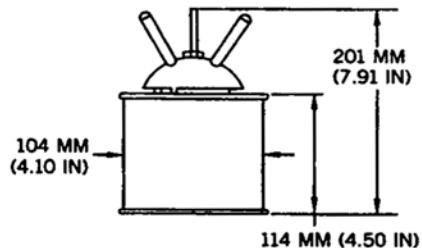


## YUGOSLAV LANDMINE, APERS, PMA-3

Ordnance used with:  
UPMAKH-3, LANDMINE, APERS, PRESSURE  
UPMAX-3, FUZE, LANDMINE, PRESSURE



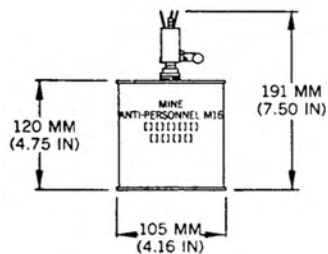
N.E.W. 35.00 G



## ITALIAN LANDMINES, APERS, VALMARA AND VALMARA 59

Ordnance used with:  
UNDESIGNATED, LANDMINE, APERS, PRESSURE/PULL

N.E.W. 564.00 G



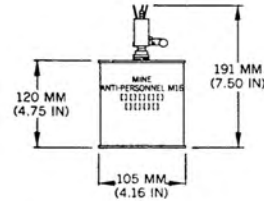
## U.S. LANDMINE, APERS, HE, M16A2; AND LANDMINE, INERT, M16A2

Ordnance used with:  
M605, FUZE, LANDMINE, AP, COMBINATION  
PA 504, FLASH DETONATOR

N.E.W. 608.00 G

## U.S. LANDMINES, APERS, HE, M16 AND M16A1; AND LANDMINES, INERT, M16 AND M16A1

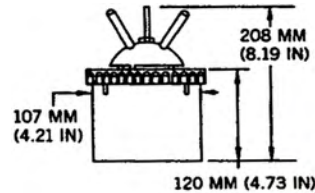
Ordnance used with:  
M605, FUZE, LANDMINE, AP, COMBINATION



N.E.W. 553.00 G

## ITALIAN LANDMINES, APERS, VALMARA 69 PRACTICE, VALMARA 69

Ordnance used with:  
VS-AR4, ANTILIFT DEVICE  
UNDESIGNATED, LANDMINE, APERS, PRESSURE/PULL





## U.S.S.R. LANDMINE, APERS, MODEL OZM-72

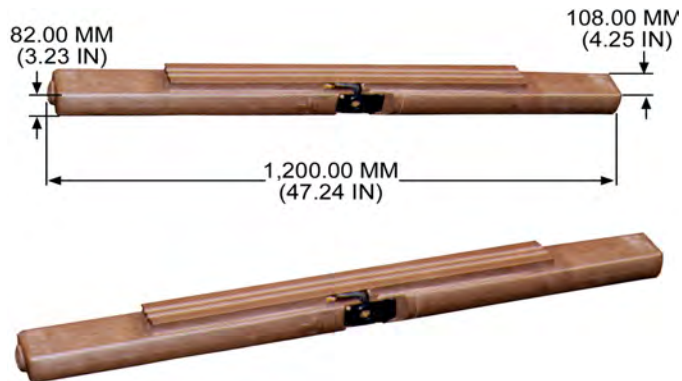
Ordnance used with:

MUV, PULL

MUV-2, FIRING DEVICE, PULL/PRESSURE

MUV-3, FIRING DEVICE, PULL/PRESSURE

NM, INITIATOR, ELECTRIC



## U.K. LANDMINE, AT, L9A1 (BARMINE)

Ordnance used with:

L114A1, LANDMINE, AT, ELECTRONIC, ANTIDISTURBANCE

M/88, MAGNETIC INFLUENCE, LANDMINE

L90A1, LANDMINE, AT, PRESSURE

L128A1, LANDMINE, AT, MAGNETIC INFLUENCE

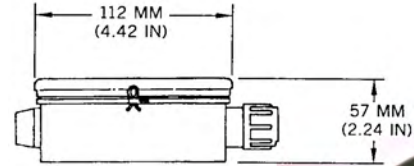
L89A1, LANDMINE, AT, PRESSURE

L131A1, LANDMINE, AT, ANTIDISTURBANCE

XL128E2, LANDMINE, AT, MAGNETIC INFLUENCE

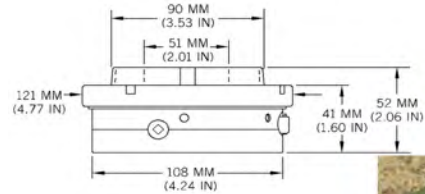
## U.S.S.R. LANDMINE, APERS, PMN

Ordnance used with:  
SVP, PYROTECHNIC ARMING DEVICE

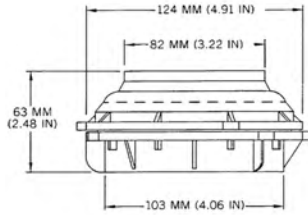


N.E.W. 227.00 G

## U.S.S.R. LANDMINE, APERS, PMN-2



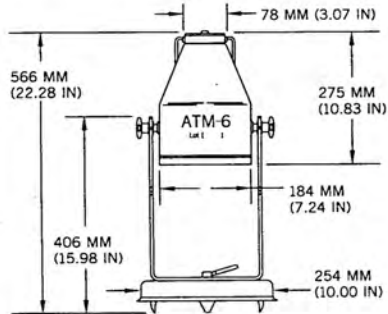
N.E.W. 115.00 G



## GERMAN (PEOPLE'S REPUBLIC) LANDMINES, APERS, PPM-2; AND PRACTICE, PPM-2 UB

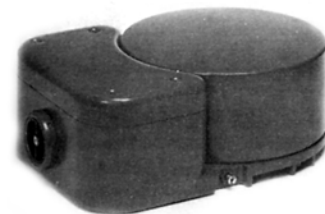
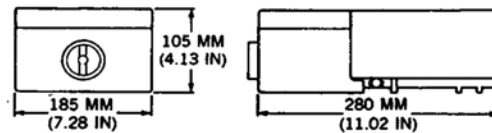
Ordnance used with:  
MDL UNK, DET, ELECTRIC SPARK GAP (FOR PPM-2 APERS MINE)

N.E.W. 112.00 G



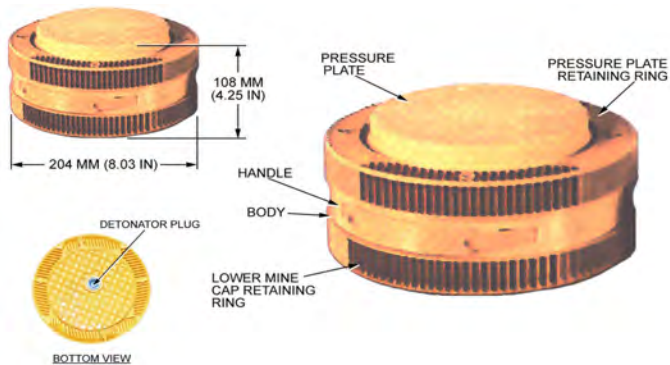
## AUSTRIAN LANDMINE, AT, OFF-ROUTE, ATM-6

**FRENCH LANDMINE, AT, HPD F2**



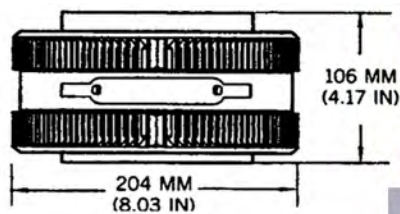
**ITALIAN LANDMINE, AT, VS-HCT4**





## EGYPTIAN LANDMINE, AT, M/80

N.E.W. 2.40 KG

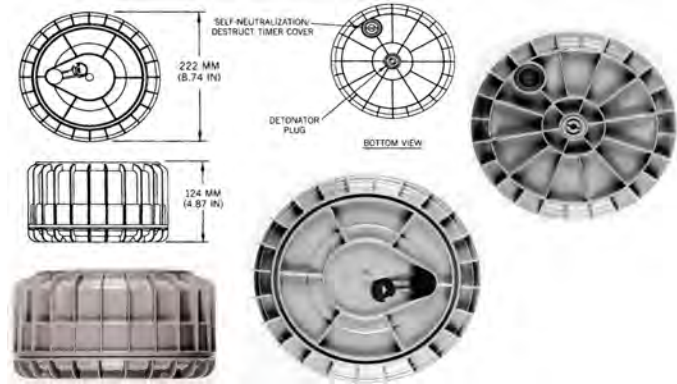


## ITALIAN LANDMINE, AT, TC/2.4

Ordnance used with:  
MODEL UNKNOWN, ANTILIFT



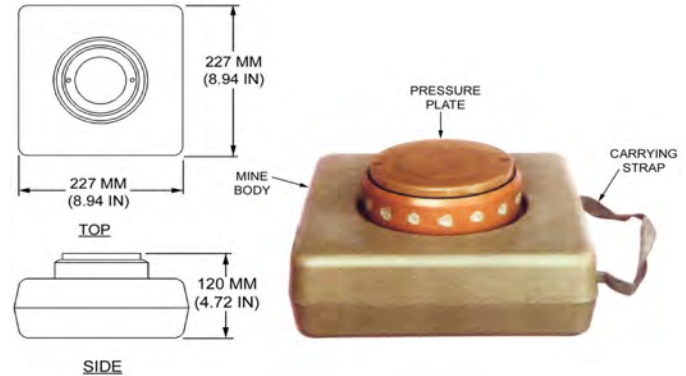
## ITALIAN LANDMINE, AT, VS-HCT



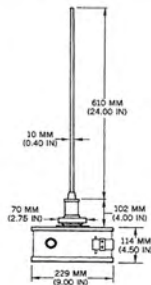
N.E.W. 2.40 KG

## BELGIAN LANDMINE, AT, PRB M3A1

Ordnance used with:  
PRB-M30, ANTILIFT DEVICE  
M60, LANDMINE, PRESSURE  
PRB MIG M60, LANDMINE, PRESSURE  
PRB 2144, FIRING DEVICE, PULL



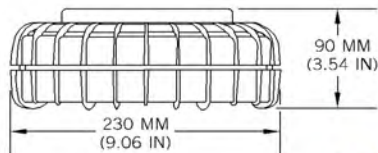
N.E.W. 6.00 KG



## U.S. LANDMINE, AT, HE, M21

Ordnance used with:  
M607, LANDMINE, AT, TILTROD

N.E.W. 10.70 LB

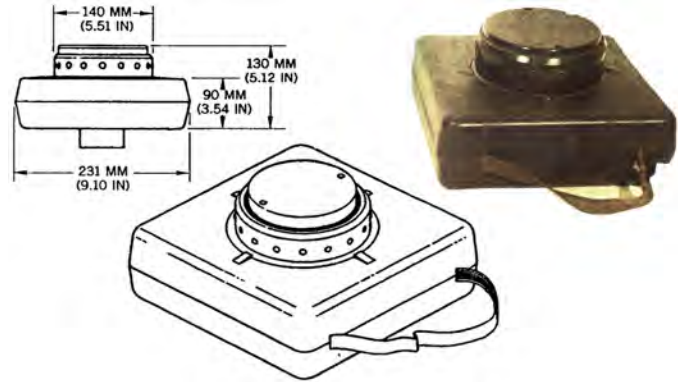


## ITALIAN LANDMINE, AT, SB-81; SPANISH C-5; PORTUGUESE M/453; AND IRANIAN YM-II

N.E.W. 2.20 KG

## BELGIAN LANDMINE, AT, PRB-ATK-M3

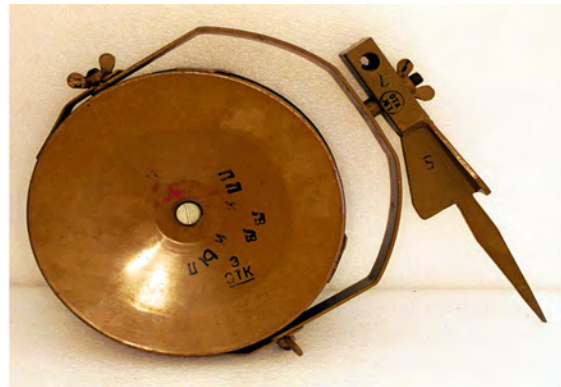
Ordnance used with:  
M30, LANDMINE, AT, PRESSURE  
PRB-M30, ANTILIFT DEVICE



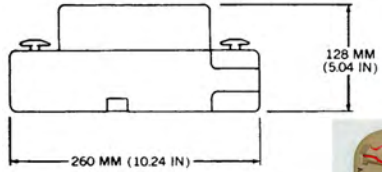
N.E.W. 13.20 LB

## U.S.S.R. LANDMINE, APERS, MON-100

Ordnance used with:  
MUV-4, PULL  
MUV, PULL  
MUV-2, FIRING DEVICE, PULL/PRESSURE  
MUV-3, FIRING DEVICE, PULL/PRESURE



N.E.W. 2.16 KG



### ITALIAN LANDMINE, AT, VS-HCT2 (MOD 1)



Ordnance used with:  
MODEL UNKNOWN, LANDMINE, AT, DETONATOR

N.E.W. 2.30 KG



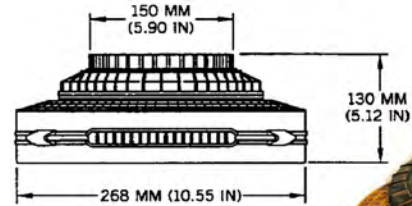
### U.K. LANDMINE, AT, NONMAGNETIC, L3A1

## ITALIAN LANDMINE, AT, SH-55

Ordnance used with:

VS-N-TLC, ELECTRONIC, FIELD PGM, R/C PRESS.-ACTUATED  
VS-N-EL2, ELECTRONIC, FIELD PGM, PRES/ANTIDISTURBANCE  
VS-N/AR-AN, ELECTRONIC, ANIT-REMOVAL/DISTRUBANCE  
VS-N, PRESSURE-ACTUATED  
FD-64, LANDMINE, AT, PRESSURE  
SH-160, LANDMINE, AT, PRESSURE

N.E.W. 5528.00 G

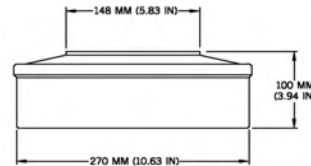


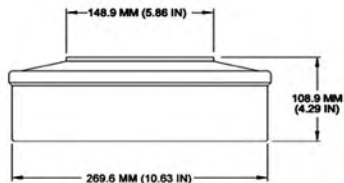
## CHINESE LANDMINE, AT, TYPE 72

Ordnance used with:

TYPE 69, LANDMINE, AT, DOUBLE IMPULSE  
TYPE 72A, LANDMINE, AT, (SINGLE IMPULSE)  
TYPE 81, LANDMINE, AT (SINGLE IMPULSE)  
TYPE 72, LANDMINE, AT, PRESSURE (BLAST RESISTANT)  
TYPE 74, 284MM, CARGO

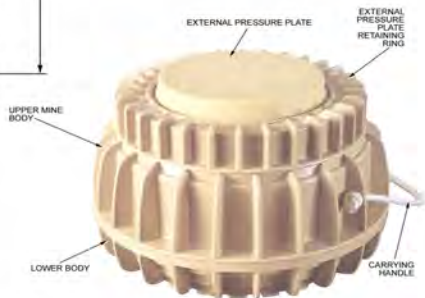
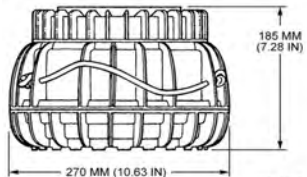
N.E.W. 6.60 KG





## IRANIAN LANDMINE, AT, YM-III

Ordnance used with:  
MODEL UNKNOWN, AT, PRESSURE

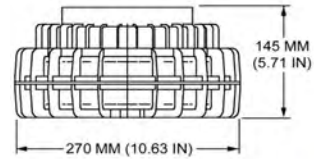


## ITALIAN LANDMINE, AT, ELECTRONIC, TCE/6

Ordnance used with:  
MODEL UNKNOWN, AT, ELECTRONIC FUZE, (TCE/6)

## ITALIAN LANDMINE, AT, TC/3.6

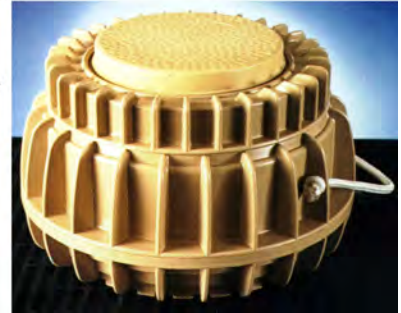
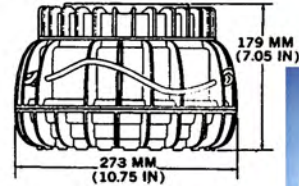
Ordnance used with:  
UNKNOWN, PRESSURE, LANDMINE (TC/3.6)

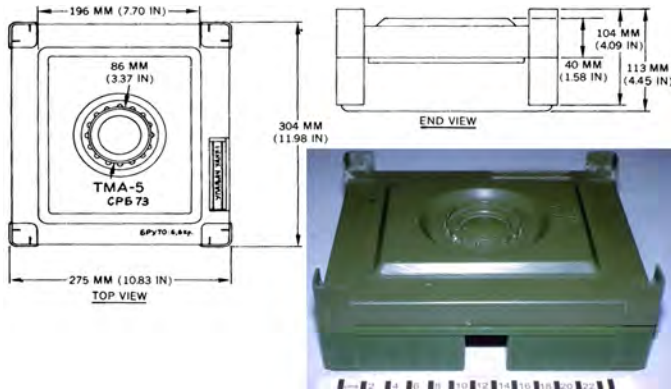


N.E.W. 3.60 KG

## ITALIAN LANDMINE, AT, MODEL TC-6

Ordnance used with:  
MODEL UNKNOWN, ANTI LIFT  
UNKNOWN, FIRING DEVICE, IMPROVISED, PHOTOELECTRIC

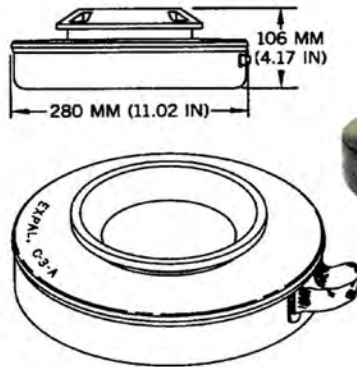




## YUGOSLAV LANDMINES, AT, NONMETALLIC, MODEL TMA-5 & PRACTICE, VTMA-5

Ordnance used with:  
UANU-1, LANDMINE, AT, PRESSURE

N.E.W. 5561.00 G



## SPANISH LANDMINE, AT, C-3-A



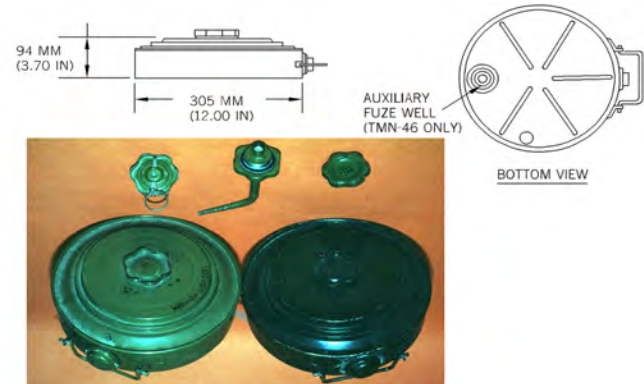
## SPANISH LANDMINE, AT, C-3-B



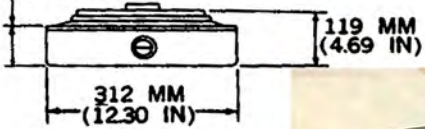
## U.S.S.R. LANDMINES, AT, TM-46 AND TMN-46; AND TRAINING, UITM-46

Ordnance used with:

- MUV, PULL
- MUV-2, FIRING DEVICE, PULL/PRESSURE
- MUV-3, FIRING DEVICE, PULL/PRESURE
- MV-5, FUZE, LANDMINE, AT, PRESSURE
- MVM, FUZE, LANDMINE, AT, PRESSURE
- MVSH-46, FUZE, LANDMINE, TILTROD

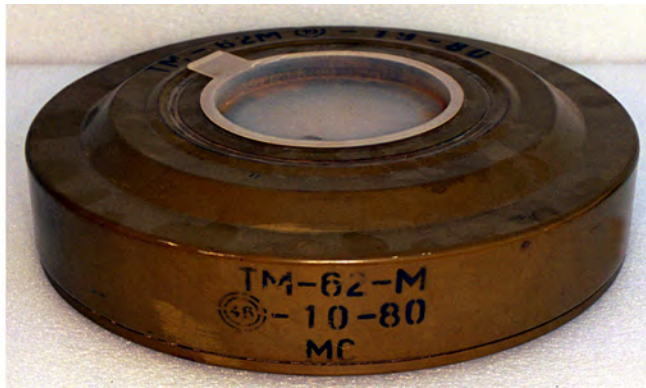


71 MM (2.80 IN)



### U.S.S.R. LANDMINE, AT, TM-57

Ordnance used with:  
MVSH 57, LANDMINE, AT, TILTROD  
MVZ-57, LANDMINE, AT, PRESSURE

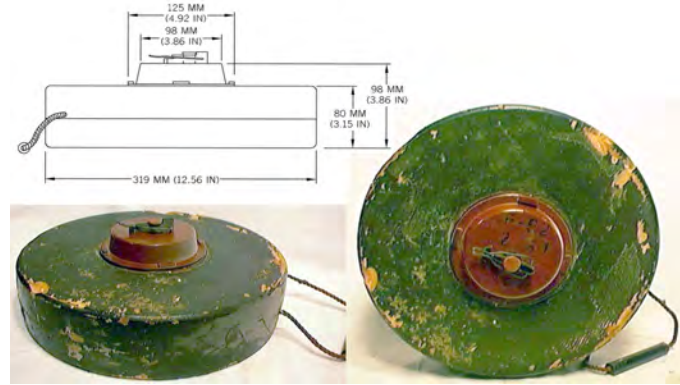


### U.S.S.R. LANDMINE, AT, TM-62M

Ordnance used with:  
MVCH-62, FUZE, LANDMINE, AT, PRESSURE  
MVN-62, FUZE, LANDMINE, AT, MAGNETIC INFLUENCE  
MVP-62, FUZE, LANDMINE, AT, PRESSURE  
NV-PTM, FUZE, LANDMINE, AT, MAGNETIC INFLUENCE  
NV-PTM-RC, AT, MAGNETIC INFLUENCE, REMOTE CONTROL  
VM-62, FUZE, LANDMINE, AT, PRESSURE  
MWP-62, FUZE, LANDMINE, AT, PRESSURE  
N.E.W. 5700.00 G

## ROMANIAN LANDMINE, AT, MAT-76

Ordnance used with:  
P-62, LANDMINE, PRESSURE



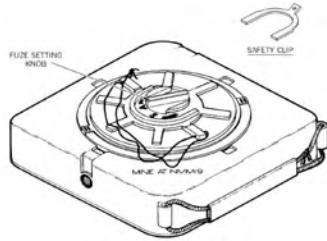
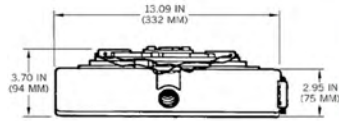
N.E.W. 9.00 KG

## CZECHOSLOVAKIAN LANDMINES, AT, PT-MI-BA III AND PRACTICE, BT-MI-BA III

Ordnance used with:  
RO-4, FIRING DEVICE, PRESSURE-RELEASE  
RO-7-II, LANDMINE, PRESSURE  
RO-7-III, LANDMINE, PRESSURE/ANTIREMOVAL



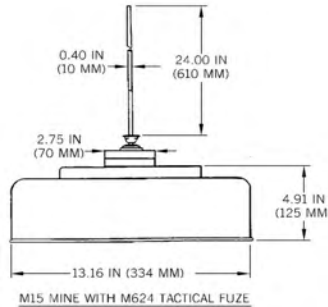
N.E.W. 7.50 KG



**U.S. LANDMINES: AT, HE, NONMETALLIC, M19;  
INERT, M19; AND TRAINING, M80**

Ordnance used with:  
M/88, MAGNETIC INFLUENCE, LANDMINE  
M606, LANDMINE PRESSURE, AT  
UNDESIGNATED, BOOSTER (52 G RDX)  
UNDESIGNATED, BOOSTER (52 G COMP A-5)

N.E.W. 21.25 LB



**U.S. LANDMINES: AT, HE, HEAVY, M15; AND  
PRACTICE, M20**

Ordnance used with:  
NO. 62A, LANDMINE, AT, TILTROD  
M603, FUZE, LANDMINE, AT, PRESSURE  
M4, ARMING PLUG  
M4B1, ARMING PLUG  
M624, FUZE, LANDMINE, AT, PRESSURE  
M1, ACTIVATOR, LANDMINE

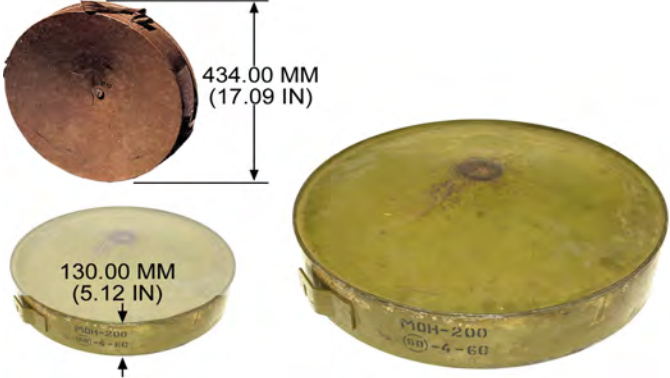
N.E.W. 10.33 KG

**U.S.S.R. LANDMINE, APERS, MON-200**

Ordnance used with:  
MUV-4, PULL  
MUV, PULL  
MUV-2, FIRING DEVICE, PULL/PRESSURE  
MUV-3, FIRING DEVICE, PULL/PRESURE

N.E.W. 12.16 KG

---



**BULGARIAN GUIDED MISSILE, SURFACE-TO-AIR,  
SA-7B (STRELA 2)**



---

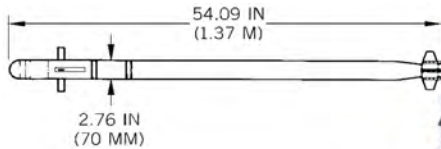
**U.S.S.R. GUIDED MISSILE, SURFACE-TO-SURFACE,  
TRAINING, AT-2C (SWATTER)**





## U.S.S.R. GUIDED MISSILES, SURFACE-TO-AIR, SA-6A & SA-6B (GAINFUL)

Ordnance used with:  
UNKNOWN, WARHEAD, SA-6  
S&A DEVICE, MODEL UNKNOWN, SA-6  
CONTROL SECTION, SA-6A AND SA-6B, UNDESIGNATED  
POPPULSION SECTION, SA-6A AND SA-6B, UNDESIGNATED



## U.S. GUIDED MISSILE LAUNCHERS, SURFACE-TO-AIR, FIM-92A, FIM-92B, FIM-92C, FIM-92D, AND FIM-92E (STINGER) (MISSILE)

Ordnance used with:  
T61, ELECTRIC DETONATOR

N.E.W. 11.30 LB

**U.S. GUIDED MISSILES, SURFACE-TO-AIR, FIM-92A, FIM-92B, FIM-92C, FIM-92D, AND FIM-92E (STINGER) (LAUNCHER)**

Ordnance used with:  
T61, ELECTRIC DETONATOR



N.E.W. 11.30 LB

**U.S.S.R. GUIDED MISSILE, SURFACE-TO-AIR, SA-14**







## U.S.S.R. GUIDED MISSILES, SA-7A, SA-7B, AND SA-N-5 (GRAIL)

Ordnance used with:  
9K32M SYSTEM, USES SA-7B MISSILE  
ZUR-23-2S, GUN/MISSILE AIR DEFENSE SYSTEM, 23MM, TOWED



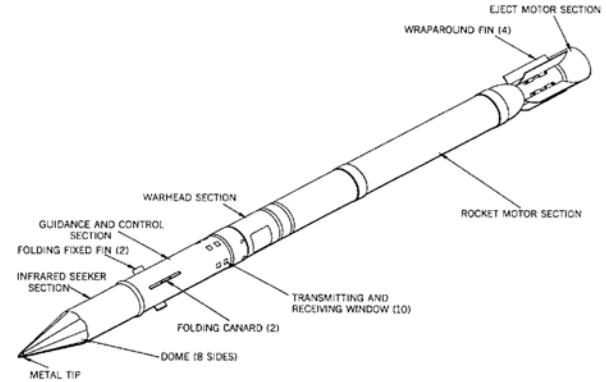
MARKINGS



## U.S.S.R. GUIDED MISSILE, SURFACE-TO-AIR, U.S.S.R. GUIDED MISSILES, SURFACE-TO-AIR, SA-16 (9M313-1) (GIMLET)

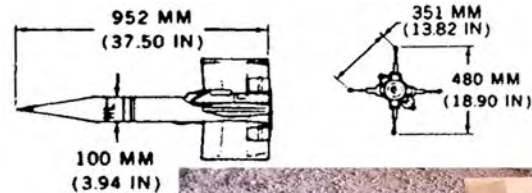
## FRENCH GUIDED MISSILE, SURFACE-TO-AIR OR AIR-TO-AIR, MISTRAL

Ordnance used with:  
ALAMO SYSTEM, USES MISTRAL MISSILE  
ALBI SYSTEM, USES MISTRAL MISSILE  
ATLAS SYSTEM, USES MISTRAL MISSILE  
SANTAL SYSTEM, USES MISTRAL MISSILE  
SANDRAL OR SIMBAD SYSTEM, USES MISTRAL MISSILE  
SIMBAD SYSTEM, USES MISTRAL MISSILE

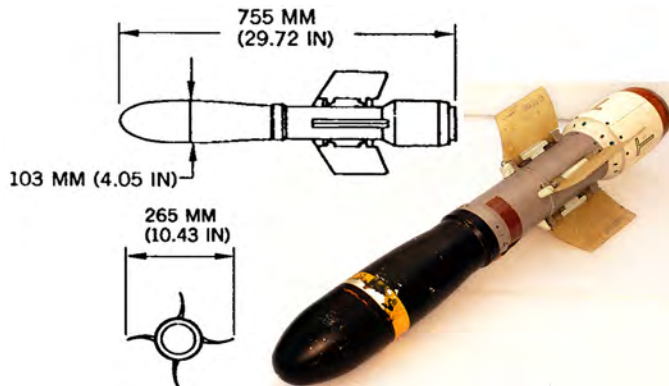


## GERMAN (FEDERAL REPUBLIC) GUIDED MISSILE, SURFACE-TO-SURFACE, B0810 (COBRA)

Ordnance used with:  
UNDESIGNATED, PIBD (MECHANICAL)

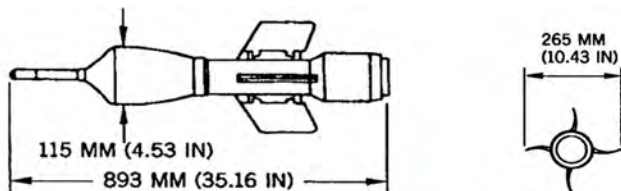


N.E.W. 3.11 KG



## FRENCH GUIDED MISSILE, SURFACE-TO-SURFACE, MILAN

Ordnance used with:  
UNDESIGNATED, PIBD-ELECTRIC (MILAN, MILAN 2)



## FRENCH GUIDED MISSILE, SURFACE-TO-SURFACE, MILAN 2

Ordnance used with:  
UNDESIGNATED, PIBD-ELECTRIC (MILAN, MILAN 2)  
WARHEAD, MODEL UNKNOWN, MILAN 2  
ROCKET MOTOR, MODEL UNKNOWN, MILAN 2  
GUIDANCE AND CONTROL, MODEL UNKNOWN, MILAN 2  
LAUNCH TUBE, MODEL UNKNOWN, MILAN 2

## **U.S.S.R. GUIDED MISSILE, SURFACE-TO-AIR, SA-13B (GOPHER)**

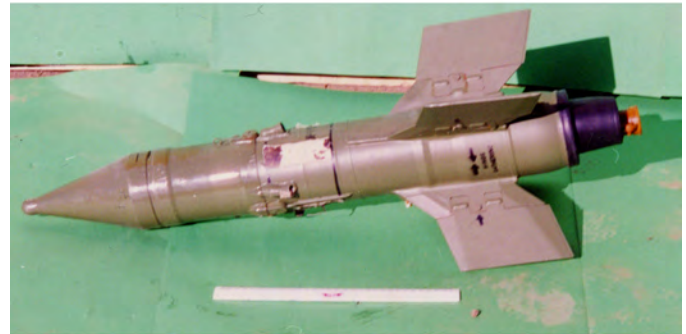
Ordnance used with:  
MODEL UNKNOWN, MOTOR, SOLID PROPELLANT (SA-13B)  
UNKNOWN, LASER PROXIMITY (SA-13B)  
UNKNOWN, WARHEAD, HE, DISCRETE-RODS (SA-13B)  
UNKNOWN, IMPACT (SA-13B)  
UNKNOWN, SEEKER, EO/IR (SA-13B)



---

## **U.S.S.R. GUIDED MISSILE, SURFACE-TO-SURFACE, AT-3A (SAGGER)**

Ordnance used with:  
WARHEAD AT-3A & AT-3C MALYUTKA, SAGGER  
ROCKET MOTOR, AT-3A & AT-3C, MALYUTKA, SAGGER  
GUIDANCE AND CONTROL, AT-3A & AT-3C MALYUTKA, SAGGER



**U.S.S.R. GUIDED MISSILE, SURFACE-TO-SURFACE,  
AT-3B**



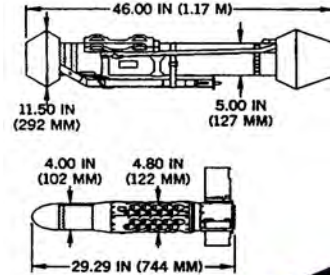
**U.S.S.R. GUIDED MISSILE, SURFACE-TO-SURFACE,  
AT-5 (SPANDREL)**



Ordnance used with:  
GUIDANCE SECTION AT-5A SPANDREL KONKURS  
WARHEAD AT-5A, SPANDREL, 9M113, KONKURS  
ROCKET MOTOR AT-5A, SPANDREL, 9M113, KONKURS

## U.S. GUIDED MISSILE, HEAT, M222 (DRAGON)

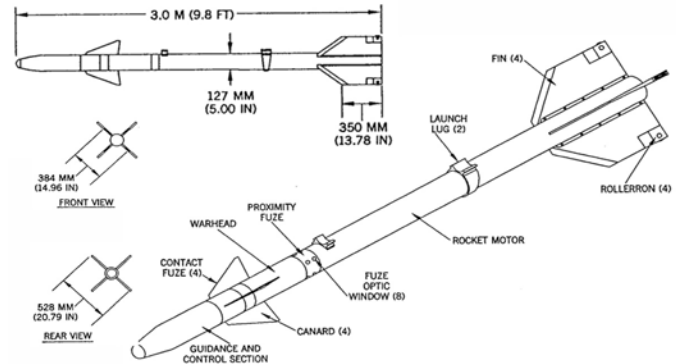
Ordnance used with:  
M47, MEDIUM ANTITANK ASSAULT WEAPON SYSTEM (MAAWS)  
M225, WARHEAD  
M118E1, SAFE AND ARMING DEVICE  
UNDESIGNATED, ROCKET MOTOR, DRAGON/Dragon II



N.E.W. 4.50 LB

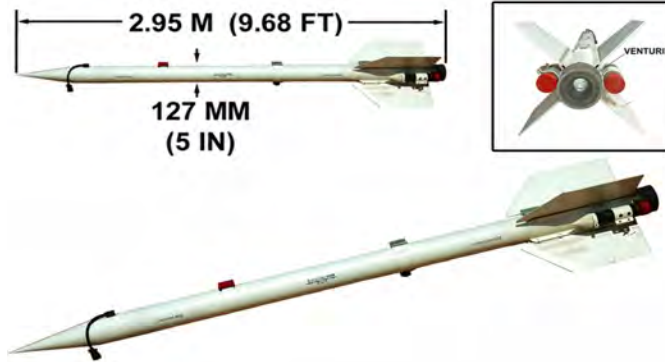
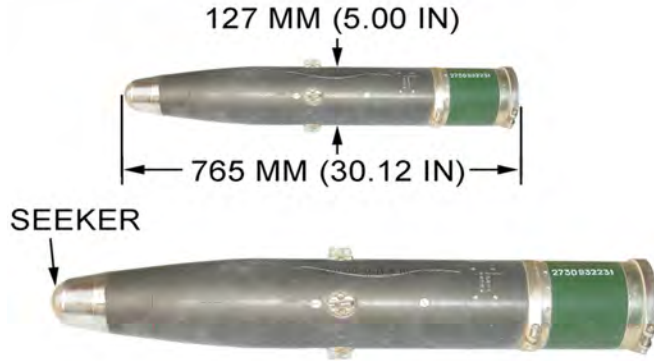
## CHINESE GUIDED MISSILE, AIR-TO-AIR, CAA-1C (THUNDERBOLT)

Ordnance used with:  
F-7  
F-7-1  
F-7I  
F-7-2  
F-7-2A  
F-7-3  
F-7A



## U.S.S.R. GUIDED MISSILE GUIDANCE CONTROL SECTION, R-13M1

Ordnance used with:  
AA-2D, ATOLL, K-13M, R-13M



## UNKNOWN COUNTRY GUIDED MISSILE, TYPE UNKNOWN, MODEL UNKNOWN

## U.S.S.R. GUIDED MISSILE, AIR-TO-AIR, SA-13

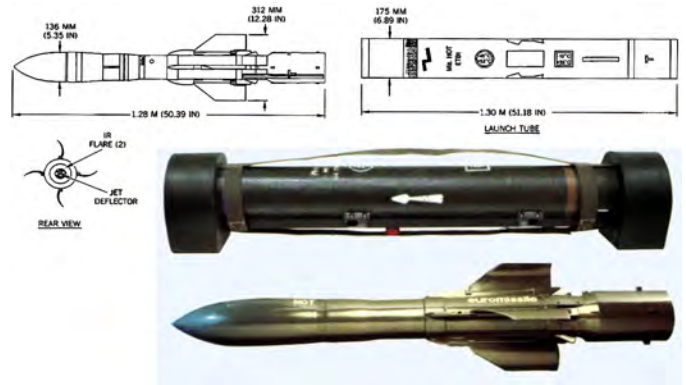
Ordnance used with:  
SAVA SYSTEM, USES SA-13A MISSILE  
STRELA-10, GUIDED MISSILE SYSTEM (USES SA-13 MISSILE)



---

## GERMAN/FRENCH GUIDED MISSILES, HOT; AND PRACTICE, HOT

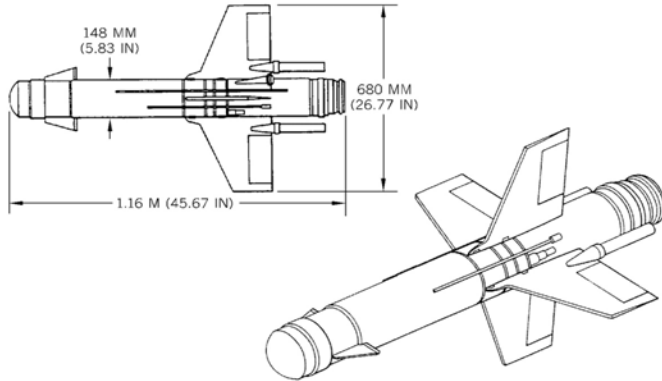
Ordnance used with:  
UNDESIGNATED, BASE-DETONATING, ELECTRIC  
HOT, LAUNCH TUBE, SURFACE-TO-SURFACE, HEAT





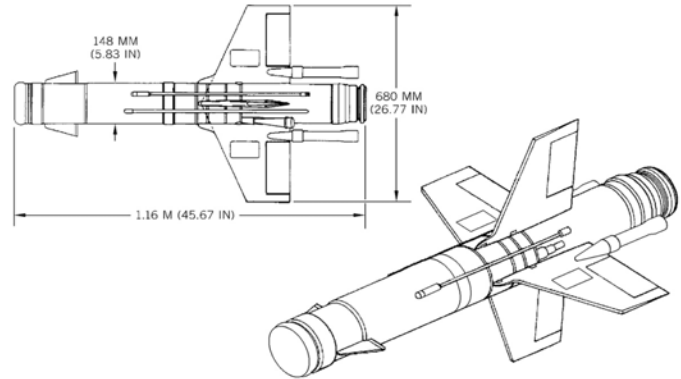


**U.S.S.R. GUIDED MISSILE, SURFACE-TO-SURFACE,  
AT-2C (SWATTER)**



**U.S.S.R. GUIDED MISSILE, SURFACE-TO-SURFACE  
AND AIR-TO-SURFACE, AT-2A SWATTER A**

**U.S.S.R. GUIDED MISSILE, SURFACE-TO-SURFACE  
AND AIR-TO-SURFACE, AT-2B SWATTER B**



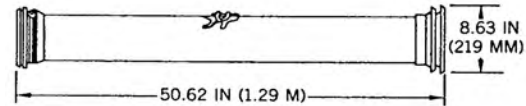
**U.S. GUIDED MISSILE LAUNCH CONTAINER,  
SURFACE ATTACK, BGM-71A & BGM-71B (TOW), &  
PRACTICE, BTM-71A (TOW)**

Ordnance used with:

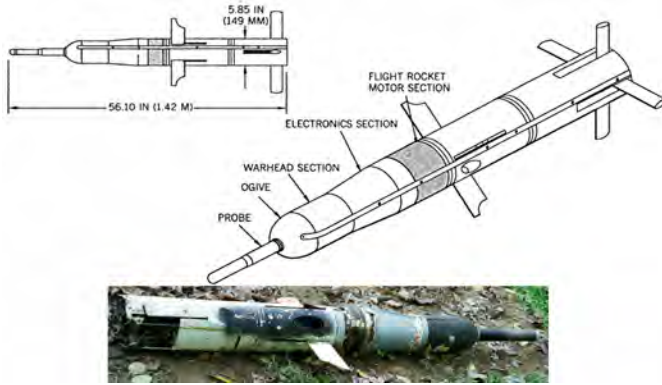
M114, SAFE AND ARM DEVICE, GUIDED MISSILE  
UNDESIGNATED, FLIGHT MOTOR, 7-LB (BGM-71D)

M114, MOTOR, LAUNCH  
FLIGHT MOTOR, 6-LB, UNDESIGNATED

M207, WARHEAD, TOW-2A & TOW-2B  
TOW 2 PROPULSION SYSTEM



N.E.W. 10.65 LB



## U.S. GUIDED MISSILE, SURFACE ATTACK, BGM-71C (ITOW)

Ordnance used with:  
M114, SAFE AND ARM DEVICE, GUIDED MISSILE UNDESIGNATED, FLIGHT MOTOR, 7-LB (BGM-71D)  
M114, MOTOR, LAUNCH  
FLIGHT MOTOR, 6-LB, UNDESIGNATED  
207E1, WARHEAD, BGM-71C, ITOW  
TOW 2 PROPULSION SYSTEM

N.E.W. 13.75 LB



## U.S. GUIDED MISSILE, SURFACE-TO-SURFACE, BGM-71H, TOW BUNKER BUSTER

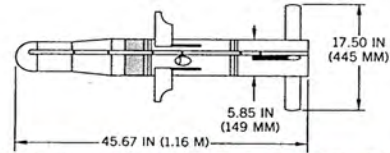
Ordnance used with:  
BGM-71H, ORDNANCE MODULE  
BGM-71H, PROPULSION MODULE  
BGM-71H, CONTROL MODULE

N.E.W. 16.00 LB

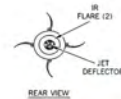
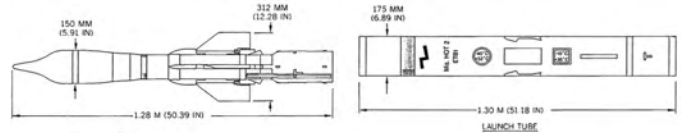
**U.S. GUIDED MISSILES, SURFACE ATTACK, BGM-71A  
& BGM-71B (TOW), & PRACTICE, BTM-71A (TOW)**

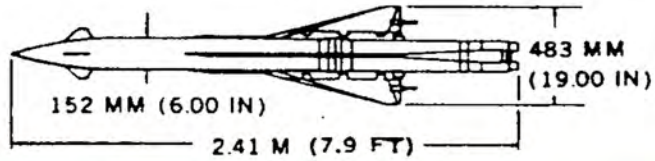
Ordnance used with:  
 M114, SAFE AND ARM DEVICE, GUIDED MISSILE  
 UNDESIGNATED, FLIGHT MOTOR, 7-LB (BGM-71D)  
 M114, MOTOR, LAUNCH  
 FLIGHT MOTOR, 6-LB, UNDESIGNATED  
 M207, WARHEAD, TOW-2A & TOW-2B  
 TOW 2 PROPULSION SYSTEM

N.E.W. 10.65 LB



**GERMAN/FRENCH GUIDED MISSILE, HOT 2**



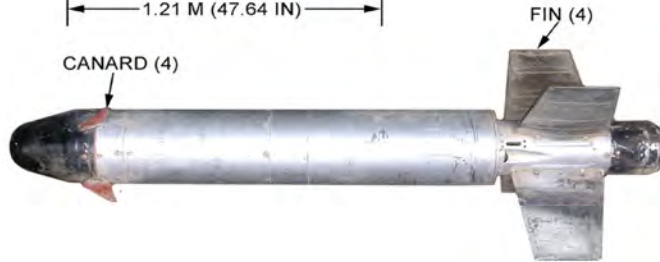


**FRENCH GUIDED MISSILE, SURFACE-TO-AIR, ROLAND I AND II**

Ordnance used with:  
DM 34A1, MISSILE MOTOR



**UNKNOWN COUNTRY GUIDED MISSILE, TYPE UNKNOWN, AL NARHWA**



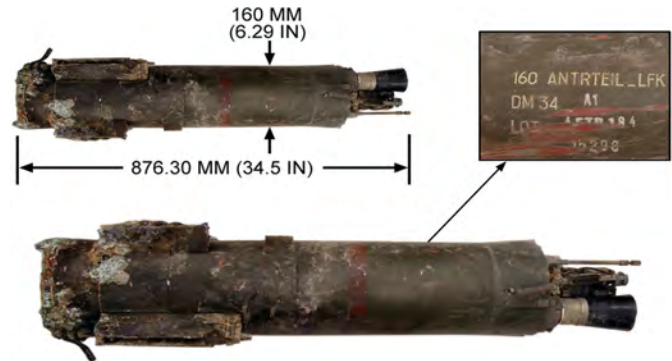
## FRENCH GUIDED MISSILE, AIR-TO-AIR, MAGIC 1 R.550

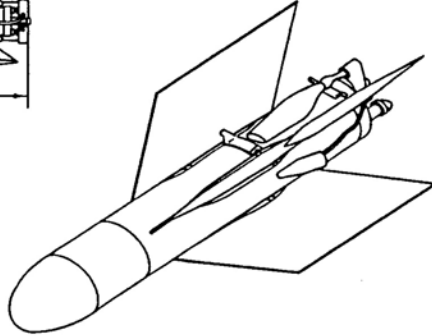
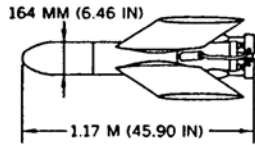
Ordnance used with:  
T MK 4, AIRCRAFT (HARRIER)  
GR MK 3 (HARRIER)  
HAWK 200



## GERMAN MISSILE MOTOR, DM 34A1

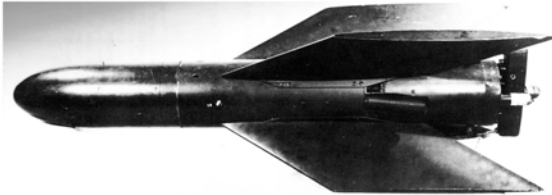
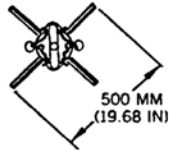
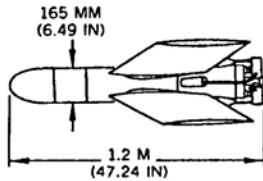
Ordnance used with:  
ROLAND I, ROLAND 1, SURFACE-TO-AIR  
ROLAND II, ROLAND 2, SURFACE-TO-AIR





## FRENCH GUIDED MISSILE, AS/SS-11, SS.11

Ordnance used with:  
UNDESIGNATED, BASE DETONATING

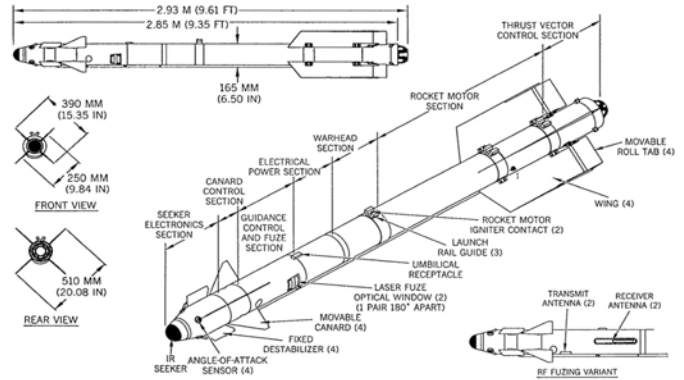


## FRENCH GUIDED MISSILE, AS/SS-11A, AS.11A (HARPOON)

Ordnance used with:  
UNDESIGNATED, BASE DETONATING

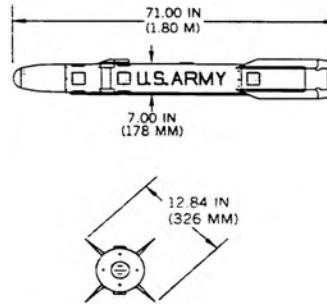
## U.S.S.R. GUIDED MISSILE, AIR-TO-AIR, AA-11 (ARCHER)

Ordnance used with:  
 UNDESIGNATED GUIDED MISSILE FUZE, PROXIMITY (RF)  
 UNDESIGNATED GUIDED MISSILE FUZE, PROXIMITY (LASER)



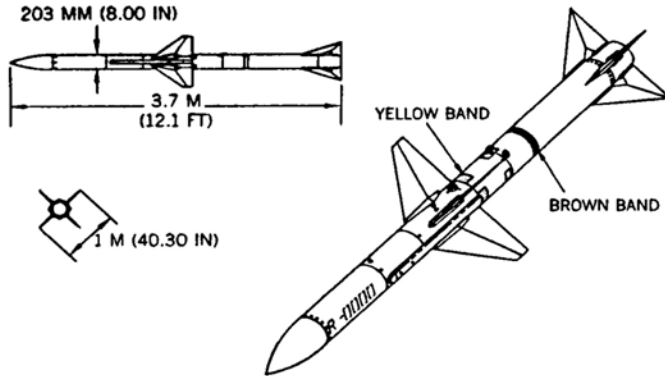
## U.S. GUIDED MISSILE, AIR-TO-SURFACE, AGM-114F (IMPROVED HELLFIRE)

Ordnance used with:  
 M820, FUZE, MISSILE, HELLFIRE  
 M120E1, ROCKET MOTOR, (THIOKOL), HELLFIRE  
 M120E3, ROCKET MOTOR, (HERCULES)



N.E.W. 36.00 LB





### U.S. GUIDED MISSILE, AIR-TO-AIR, AIM-7E (SPARROW)

Ordnance used with:

MK 38 MODS 0, 1, 2, 3, 4 ROCKET MOTOR

MK 52 MODS 1, 2 ROCKET MOTOR

MK 265 MOD 0, IGNITER

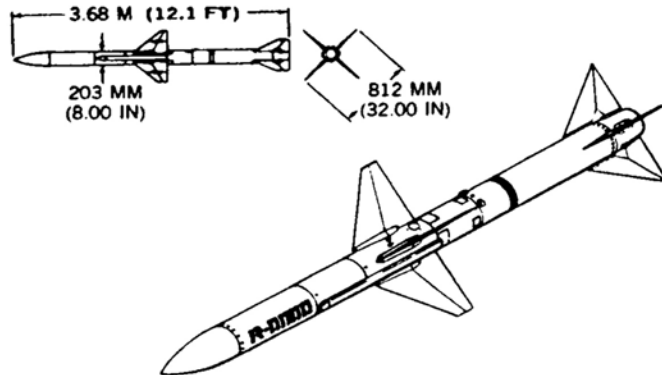
MK 274 MOD 0, IGNITER

MK 4 MOD 0, EXERCISE WARHEAD, (SPARROW)

MK 33 MOD 0, S&A DEVICE, (SPARROW)

MK 35 MOD 0, S&A DEVICE, (SPARROW)

N.E.W. 118.50 LB



### U.S. GUIDED MISSILE, AIR-TO-AIR, AIM-7E-3 (SPARROW)

Ordnance used with:

MK 265 MOD 0, IGNITER

MK 274 MOD 0, IGNITER

MK 35 MOD 0, S&A DEVICE, (SPARROW)

MK 274 MOD 1, IGNITER

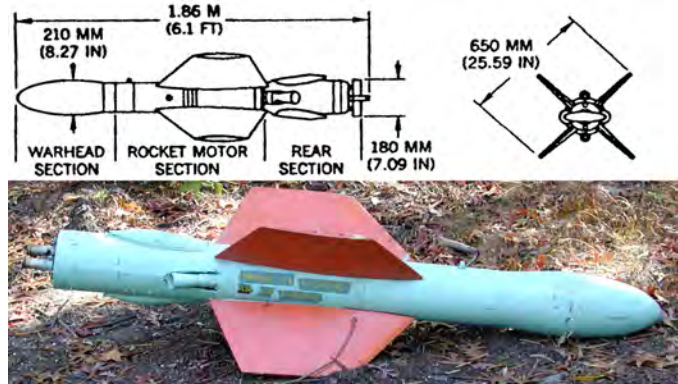
MK 73 MOD 1, ELECTRONIC FIRING SWITCH

MK 73 MOD 2, ELECTRONIC FIRING SWITCH

MK 38 MOD 0, BOOSTER

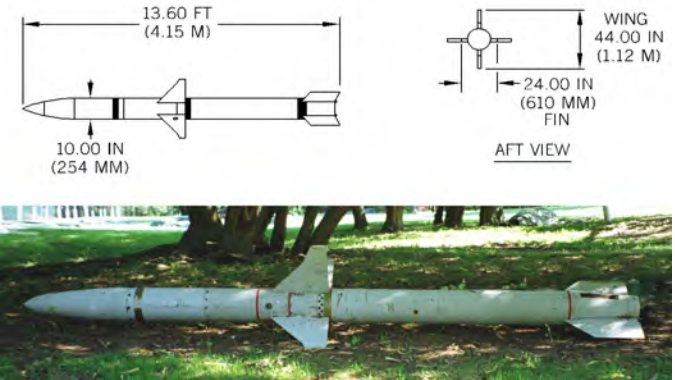
N.E.W. 118.50 LB

## FRENCH GUIDED MISSILE, AS/SS-12

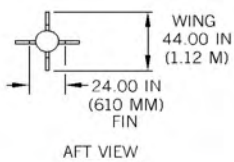
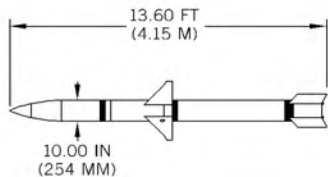


## U.S. GUIDED MISSILE, AIR-TO-SURFACE: AGM-88A (HARM)

Ordnance used with:  
MK 44 MOD 1, FUZE BOOSTER  
WDU-21/B, WARHEAD, MISSILE, (HARM)  
WDU-37/B, WARHEAD, MISSILE, HE-FRAG, (HARM)  
FMU-111/B, MISSILE FUZE, (HARM)  
LAU-118(V)1/A, GUIDED MISSILE LAUNCHER, AIRCRAFT



N.E.W. 328.00 LB



## U.S. GUIDED MISSILE, AIR-TO-SURFACE: AGM-88B (HARM)

Ordnance used with:  
 MK 44 MOD 1, FUZE BOOSTER  
 WDU-21/B, WARHEAD, MISSILE, (HARM)  
 WDU-37/B, WARHEAD, MISSILE, HE-FRAG, (HARM)  
 FMU-111/B, MISSILE FUZE, (HARM)  
 LAU-118(V)1/A, GUIDED MISSILE LAUNCHER, AIRCRAFT

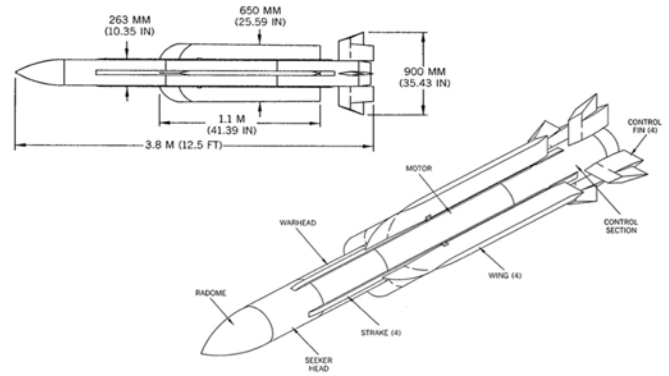


N.E.W. 328.00 LB

## FRENCH GUIDED MISSILE, AIR-TO-AIR, MATRA R.530



## FRENCH GUIDED MISSILE, AIR-TO-AIR, SUPER 530D



## U.S.S.R. GUIDED MISSILE, AIR-TO-SURFACE, AS-12A MODS 1 (KEGLER)





**U.S.S.R. GUIDED MISSILE, AIR-TO-SURFACE, AS-12B  
(KEGLER)**



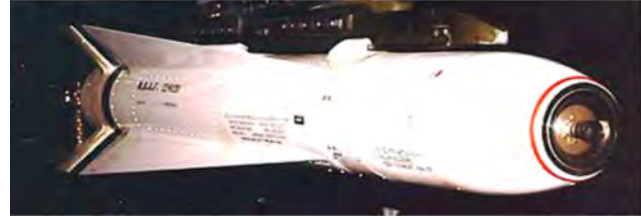
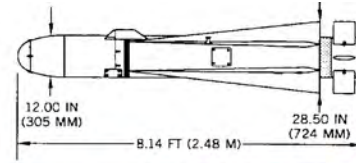
**U.S.S.R. GUIDED MISSILE, AIR-TO-SURFACE, AS-12C  
(KEGLER)**

## U.S. GUIDED MISSILES, AIR-TO-SURFACE, AGM-65B, AND TRAINING, TGM-65B (MAVERICK)

Ordnance used with:

LAU-88/A, LAUNCHER, MISSILE (MAVERICK)  
LAU-88A/A, LAUNCHER, MISSILE (MAVERICK)  
LAU-117/A, MISSILE LAUNCHER, AIRCRAFT  
WDU-20/B, WARHEAD, SHAPED-CHARGE  
FSU-5/B, SAFE AND ARM FUZE, (SAF)

N.E.W. 115.50 LB

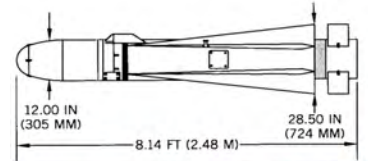


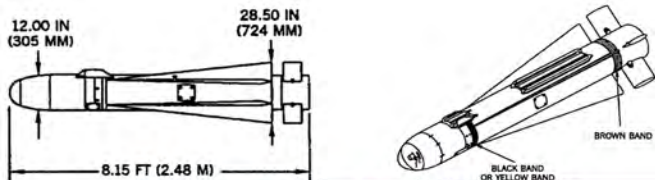
## U.S. GUIDED MISSILES, AIR-TO-SURFACE, AGM-65D, AND TRAINING, TGM-65D (MAVERICK)

Ordnance used with:

LAU-88/A, LAUNCHER, MISSILE (MAVERICK)  
LAU-88A/A, LAUNCHER, MISSILE (MAVERICK)  
LAU-117/A, MISSILE LAUNCHER, AIRCRAFT  
WDU-20/B, WARHEAD, SHAPED-CHARGE  
FSU-5/B, SAFE AND ARM FUZE, (SAF)  
ROCKET MOTOR, AGM-65D

N.E.W. 148.80 LB



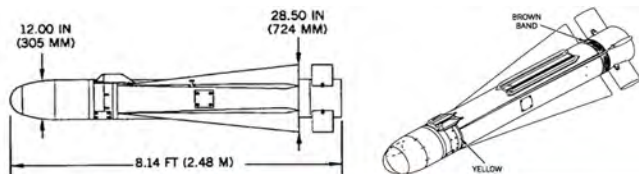


## U.S. GUIDED MISSILES, AIR-TO-SURFACE, AGM-65E & TRAINER, A/A37A-T9 (MAVERICK)

Ordnance used with:

LAU-88/A, LAUNCHER, MISSILE (MAVERICK)  
 LAU-88A/A, LAUNCHER, MISSILE (MAVERICK)  
 LAU-117/A, MISSILE LAUNCHER, AIRCRAFT  
 WDU-24/B, WARHEAD, PENETRATOR, AGM-65G  
 FMU-135/B, ELECTROMECHANICAL, GUIDED MISSILE, AGM-65G  
 ROCKET MOTOR, AGM-65E

N.E.W. 148.80 LB



## U.S. GUIDED MISSILES, AIR-TO-SURFACE, AGM-65F, & TRAINING, TGM-65F (MAVERICK)

Ordnance used with:

LAU-88/A, LAUNCHER, MISSILE (MAVERICK)  
 LAU-88A/A, LAUNCHER, MISSILE (MAVERICK)  
 LAU-117/A, MISSILE LAUNCHER, AIRCRAFT  
 WDU-24/B, WARHEAD, PENETRATOR, AGM-65G  
 FMU-135/B, ELECTROMECHANICAL, GUIDED MISSILE, AGM-65G  
 ROCKET MOTOR, AGM-65F

N.E.W. 148.60 LB

## U.S. GUIDED MISSILES, AIR-TO-SURFACE, AGM-65G, & TRAINING, TGM-65G (MAVERICK)

Ordnance used with:

LAU-88/A, LAUNCHER, MISSILE (MAVERICK)

LAU-88A/A, LAUNCHER, MISSILE (MAVERICK)

LAU-117/A, MISSILE LAUNCHER, AIRCRAFT

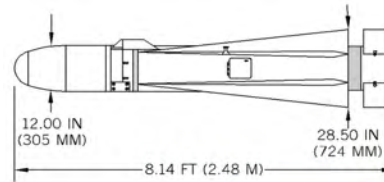
WDU-24/B, WARHEAD, PENETRATOR, AGM-65G

FMU-135/B, ELECTROMECHANICAL, GUIDED MISSILE, AGM-65G

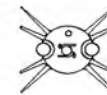
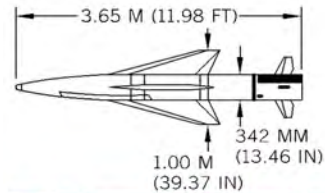
SR114, MOTOR, S114, AGM-65G

ROCKET MOTOR, AGM-65G

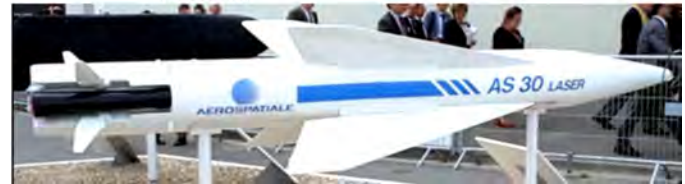
N.E.W. 148.60 LB



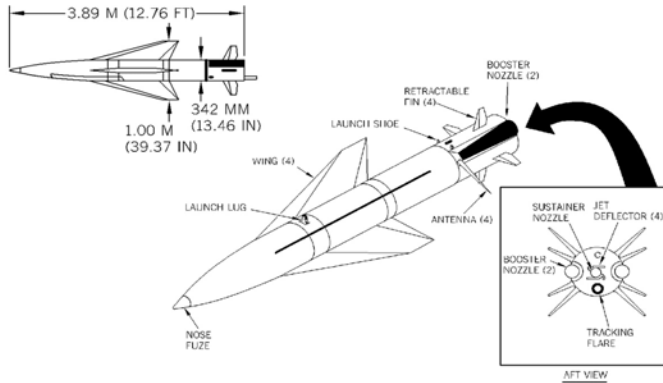
## FRENCH GUIDED MISSILE, AIR-TO-SURFACE, AS.30L



AFT VIEW

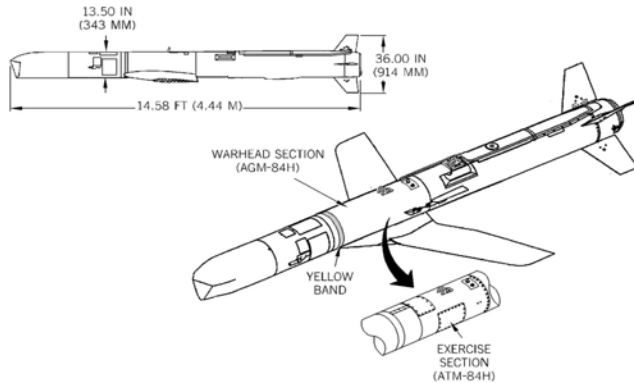






## FRENCH GUIDED MISSILE, AIR-TO-SURFACE, MODEL AS.30

Ordnance used with:  
 JAGUAR B  
 JAGUAR S



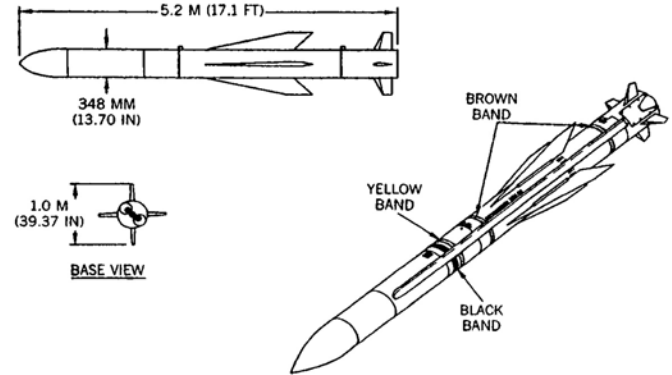
## U.S. GUIDED MISSILES, AIR-TO-SURFACE: AGM-84H, AND TRAINING, ATM-84H (SLAM-ER)

Ordnance used with:  
 FZU-47/B, AIR PRESSURE PROBE, GUIDED MISSILE  
 FMU-155/B, FUZE  
 BBU-60/B, BOOSTER  
 WAU-30C (V2) / B, WARHEAD SECTION  
 WDU-40 / B, WARHEAD  
 J402, SUSTAINER MOTOR, TURBOFAN

N.E.W. 350.00 LB

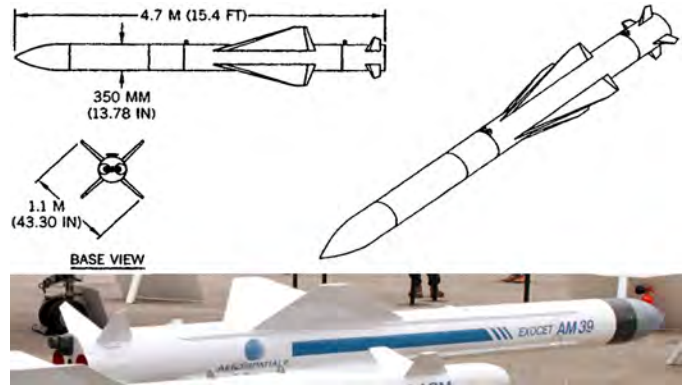
## FRENCH GUIDED MISSILE, SURFACE-TO-SURFACE, MM-38 (EXOCET)

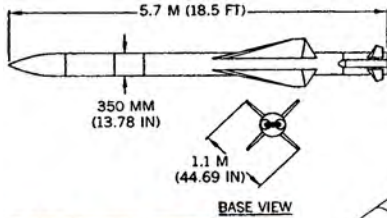
Ordnance used with:  
M3, S&A DEVICE  
M3A1, S&A DEVICE  
WARHEAD EXOCET, UNDESIGNATED  
ROCKET MOTOR EXOCET UNDESIGNATED



## FRENCH GUIDED MISSILE, AIR-TO-SURFACE, AM-39 (EXOCET)

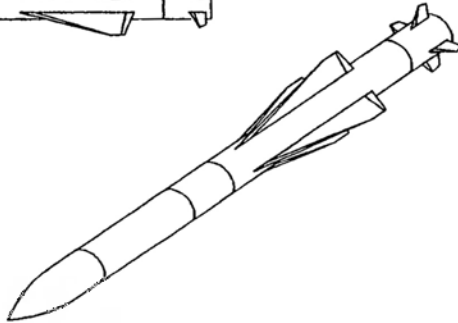
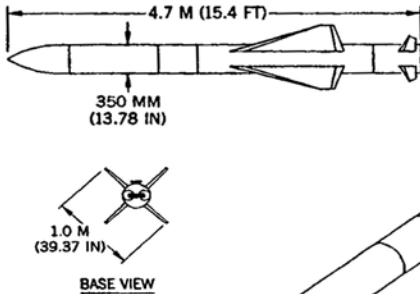
Ordnance used with:  
M3, S&A DEVICE  
M3A1, S&A DEVICE  
WARHEAD EXOCET, UNDESIGNATED  
ROCKET MOTOR EXOCET UNDESIGNATED





## FRENCH GUIDED MISSILE, SURFACE-TO-SURFACE, MM-40 (EXOCET)

Ordnance used with:  
 M3, S&A DEVICE  
 M3A1, S&A DEVICE  
 WARHEAD EXOCET, UNDESIGNATED  
 ROCKET MOTOR EXOCET UNDESIGNATED



## FRENCH GUIDED MISSILE, SURFACE-TO-SURFACE, SM-39 (EXOCET)

Ordnance used with:  
 M3, S&A DEVICE  
 M3A1, S&A DEVICE  
 WARHEAD EXOCET, UNDESIGNATED  
 ROCKET MOTOR EXOCET UNDESIGNATED

## U.S. GUIDED MISSILE, SURFACE-TO-AIR, MIM-23A (BASIC HAWK)

Ordnance used with:

M32, S&A DEVICE, GUIDED MISSILE, SURFACE-TO-AIR (HAWK)

XM32E2, S&A DEVICE, GUIDED MISSILE, SURF-TO-AIR (HAWK)

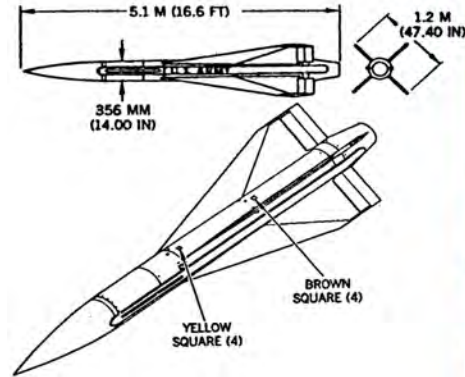
M5 SERIES, WARHEAD, MISSILE, (BASIC HAWK)

M9 SERIES, WARHEAD, EXERCISE, (BASIC HAWK)

M10 SERIES, WARHEAD, INERT, (BASIC HAWK)

M22 SERIES, MISSILE ROCKET MOTOR, (BASIC HAWK)

N.E.W. 705.00 LB



## U.S.S.R. GUIDED MISSILE, AIR-TO-SURFACE, AS-14A (KEDGE)

Ordnance used with:

SU-24 (FENCER)





## U.S.S.R. GUIDED MISSILE, AIR-TO-SURFACE, AS-14B (KEDGE)

Ordnance used with:  
SU-24 (FENCER)



## ITALIAN GUIDED MISSILE, METEOR MIRACH 100 RECONNAISSANCE VERSION

Ordnance used with:  
RECOVERY SYSTEM, METEOR MIRACH 100  
TRS 18-076, POWER PLANT METEOR MIRACH 100  
BOOSTER (JATO) METEOR MIRACH 100 RECCE



**FRENCH GUIDED MISSILE, AIR-TO-SURFACE, EM  
BAZ-AR; ARMAT**

Ordnance used with:  
GUIDANCE SECTION ARMAT UNDESIGNATED  
ROCKET MOTOR ARMAT  
WARHEAD ARMAT UNDESIGNATED



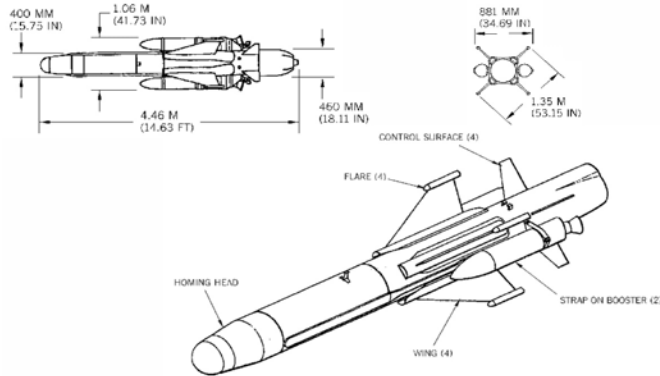
**U.S.S.R. GUIDED MISSILE, AIR-TO-SURFACE, AS-9  
(KYLE)**





## U.S.S.R. GUIDED MISSILES, AIR-TO-SURFACE, AS-7A AND AS -7B (KERRY)

Ordnance used with:  
 MIG-21P, 'FISHBED D'  
 MIG-21PFM, 'FISHBED F'  
 MIG-21R, 'FISHBED H'  
 MIG-21MF, 'FISHBED J'  
 MIG-21SMT, 'FISHBED K'  
 APU-68U, LAUNCHER, MISSILE, AIR-TO-SURFACE



## FRENCH/ITALIAN GUIDED MISSILES, SURFACE-TO-SURFACE, MK 1 AND MK 2 (TESEO), AND MK 2 (ERATO) (OTOMAT SERIES)

## U.S. GUIDED MISSILE (GUIDED DISPENSER), AIR-TO-SURFACE, AGM-154A (JSOW)

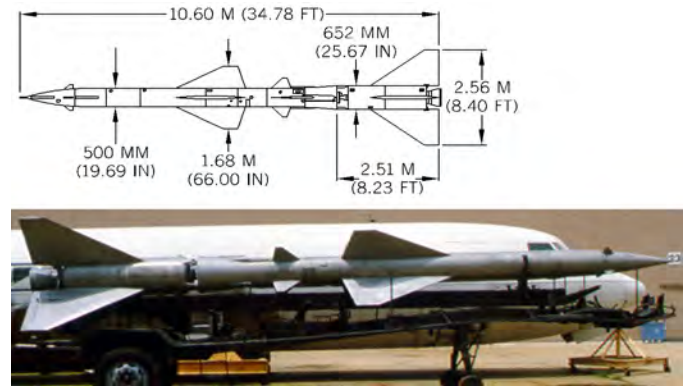
Ordnance used with:  
BLU-97B/B, HEAT  
FSU-24/B, ELECTRONIC SAFE AND ARM DEVICE (SAD)  
EUROFIGHTER, TYPHOON  
DISPENSER PAYLOAD, AGM-154A, (UNKNOWN DESIGNATION)

N.E.W. 92.60 LB



## U.S.S.R. GUIDED MISSILE, SURFACE-TO-AIR, SA-2B, SA-2C, SA-2F (GUIDELINE)

N.E.W. 774.00 KG







**U.S.S.R. GUIDED MISSILE, SURFACE-TO-AIR, SA-2D  
(GUIDELINE)**

N.E.W. 851.00 KG



**U.S.S.R. GUIDED MISSILE, SURFACE-TO-AIR, SA-2E  
(GUIDELINE)**

**U.S.S.R. GUIDED MISSILE, SURFACE-TO-AIR,  
SA-3/SA-N-1 (GOA) SERIES**

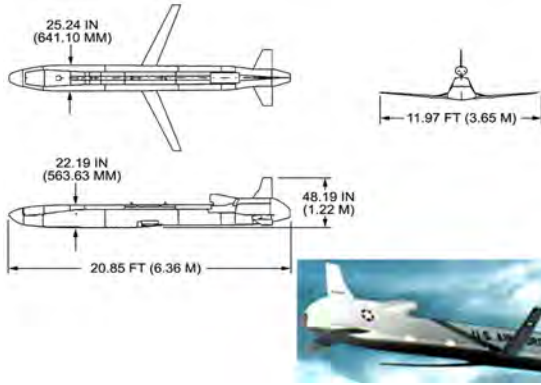


---

**U.K. GUIDED MISSILE, STORM SHADOW**

Ordnance used with:  
BROACH, WARHEAD  
FSU-26/B, MAFIS FUZE, AGM-154C, JSOW/STORM SHADOW  
EUROFIGHTER, TYPHOON





## U.S. GUIDED MISSILE, AIR-TO-SURFACE, AGM-86D (CALCM)

Ordnance used with:

A/A48K-1(V)2 CMN STRATEGIC ROTARY LAUNCHER, AIRCRAFT

FMU-159A/B, BOMB, TAIL, HTSF

FMU-159/B, BOMB, TAIL, HTSF

AUP-3 (M), WARHEAD, 1,200 LB, HE-PENETRATION

MAU-191/A, ARMING DEVICE

UNDESIGNATED, FORWARD SECTION, F/ AGM-86D

SWU-58/A, ROTARY SWITCH

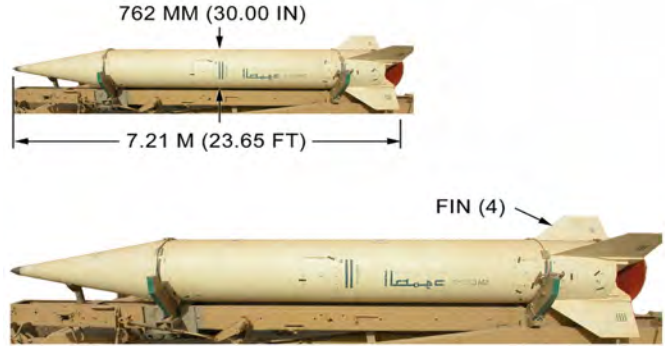
N.E.W. 47.50 KG



## CHINESE GUIDED MISSILE, SURFACE-TO-SURFACE, CSSC-3C (HY-2B) (SEERSUCKER)



**IRAQI GUIDED MISSILE, SURFACE-TO-SURFACE,  
MODEL UNKNOWN**



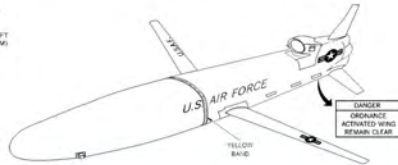
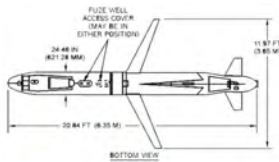
---

**U.S.S.R. GUIDED MISSILE, SS-N-2A (STYX)**





**U.S.S.R. GUIDED MISSILE, SS-N-2B (STYX)**



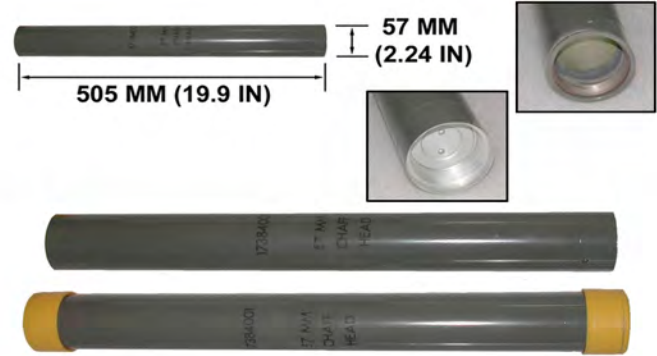
**U.S. GUIDED MISSILE, AIR-TO-SURFACE, CALCM, AGM-86C**



Ordnance used with:  
 FMU-139A/B, NOSE & TAIL, IMPACT  
 A/A48K-1(V)2 CMN STRATEGIC ROTARY LAUNCHER, AIRCRAFT  
 MAU-191/A, ARMING DEVICE  
 SWU-58/A, ROTARY SWITCH  
 UNDESIGNATED, AFT SECTION, AGM-86 SERIES  
 F107-WR-101, CALCM ENGINE  
 FMU-137/A, IMPACT, GUIDED MISSILE (AGM-86C)  
 N.E.W. 797.00 LB

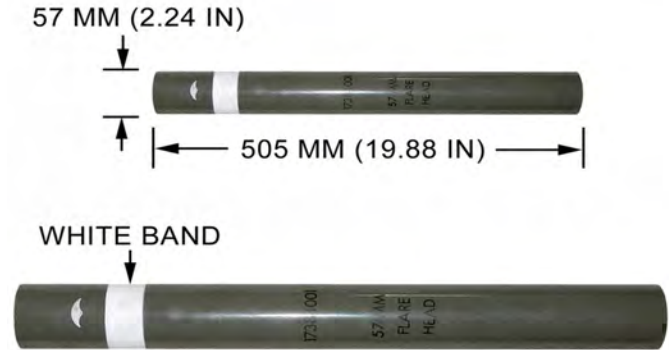


**SWEDISH ROCKET WARHEAD, 57-MM, CHAFF,  
MODEL UNKNOWN**



**SWEDISH ROCKET WARHEAD, 57-MM,  
ILLUMINATION, MODEL UNKNOWN**

Ordnance used with:  
MODEL UNKNOWN, ROCKET, PTT

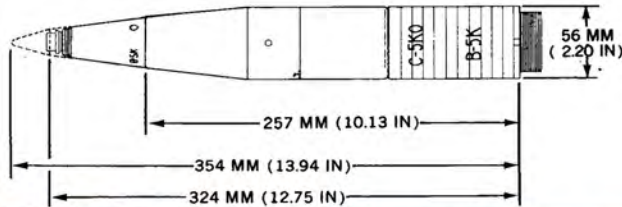


## U.S.S.R. ROCKET MOTOR, 57-MM, SOLID PROPELLANT, S-5KP



Ordnance used with:  
UB-16-57, UMVP, LAUNCHER, ROCKET, AIRCRAFT  
UB-32A1, LAUNCHER, ROCKET, AIRCRAFT (57-MM)  
S-5KP, 57-MM, HEAT/FRAG, AIR-TO-SURFACE  
S-5KP, 57-MM, WARHEAD, HEAT/FRAG, AIR-TO-SURFACE

## U.S.S.R. ROCKET WARHEAD, 57-MM, HEAT/FRAG MODEL S-5KO



Ordnance used with:  
UB-16-57, UMVP, LAUNCHER, ROCKET, AIRCRAFT  
UB-32A1, LAUNCHER, ROCKET, AIRCRAFT (57-MM)  
V-5K, ROCKET, PD, AIR-TO-SURFACE  
V-5M1, ROCKET, PDSD  
S-5KO, 57MM, HEAT/FRAG  
B-5, POINT DETONATING SELF DESTRUCT  
V-5, PDSD, ROCKET



## U.S.S.R. ROCKET WARHEAD, 57-MM, HEAT/FRAG, S-5KP

Ordnance used with:

UB-16-57, UMVP, LAUNCHER, ROCKET, AIRCRAFT

UB-32A1, LAUNCHER, ROCKET, AIRCRAFT (57-MM)

S-5KP, 57-MM, HEAT/FRAG, AIR-TO-SURFACE

S-5KP, MOTOR, 57-MM, SOLID PROPELLANT, AIR-TO-SURFACE

V-5KP1, ROCKET, PIBD, AIR-TO-SURFACE

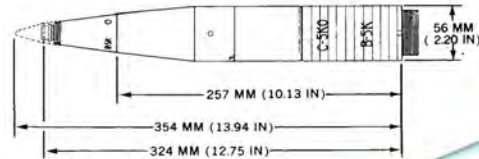


---

## U.S.S.R. ROCKET, 57-MM, AIR TO SURFACE, HEAT/FRAG, S5KO

Ordnance used with:

S-5KO, 57-MM, WARHEAD, HEAT-FRAG, AIR-TO-SURFACE

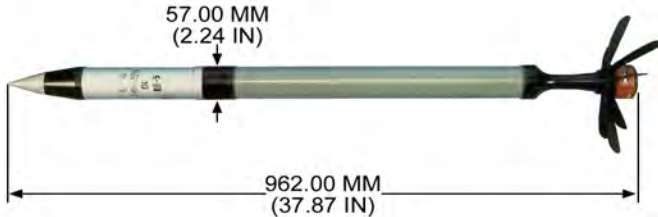




### U.S.S.R. ROCKET, 57-MM, AIR-TO-SURFACE, HEAT/FRAG, S-5KP

Ordnance used with:

UB-16-57, UMVP, LAUNCHER, ROCKET, AIRCRAFT  
 UB-32A1, LAUNCHER, ROCKET, AIRCRAFT (57-MM)  
 UB-32A, LAUNCHER, ROCKET, AIRCRAFT (57-MM)  
 S-5KP, 57-MM, WARHEAD, HEAT/FRAG, AIR-TO-SURFACE  
 S-5KP, MOTOR, 57-MM, SOLID PROPELLANT, AIR-TO-SURFACE  
 V-5KP1, ROCKET, PIBD, AIR-TO-SURFACE

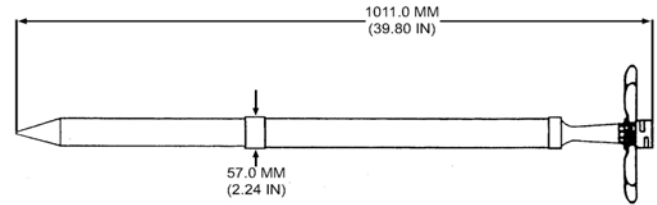


### U.S.S.R. ROCKET, 57-MM, AIR-TO-SURFACE, ILLUMINATION, S50B

Ordnance used with:

S-5-OB, 57-MM, WARHEAD, ILLUMINATION, AIR-TO-SURFACE

## U.S.S.R. ROCKET, 57-MM, CHAFF, S-5PB

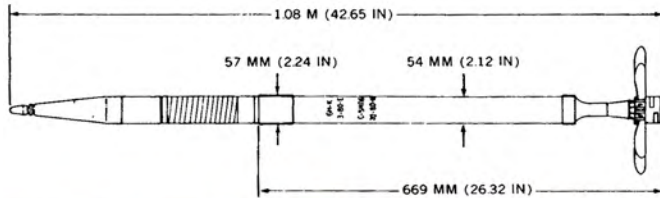


## U.S.S.R. ROCKET, 57-MM, HE, S-5M

Ordnance used with:

- UB-16-57, UMVP, LAUNCHER, ROCKET, AIRCRAFT
- UB-32A1, LAUNCHER, ROCKET, AIRCRAFT (57-MM)
- UB-32A, LAUNCHER, ROCKET, AIRCRAFT (57-MM)
- UB-16-57-U, 57-MM, LAUNCHER, ROCKET
- V-5M1, ROCKET, PDS
- UB-16-57-U, 57 MM, LAUNCHER, ROCKET, 16 SHOT
- B-5, POINT DETONATING SELF DESTRUCT



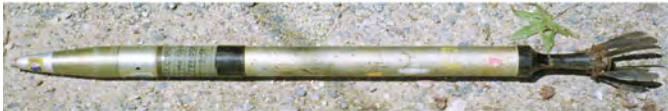


## U.S.S.R. ROCKET, 57-MM, HEAT/FRAG, MODEL S-5KPB

Ordnance used with:  
 UB-16-57, UMVP, LAUNCHER, ROCKET, AIRCRAFT  
 UB-32A1, LAUNCHER, ROCKET, AIRCRAFT (57-MM)  
 V-5KP1, ROCKET, PIBD, AIR-TO-SURFACE



## U.S.S.R. ROCKETS, 57-MM, HEAT, S-5K AND S-5K1

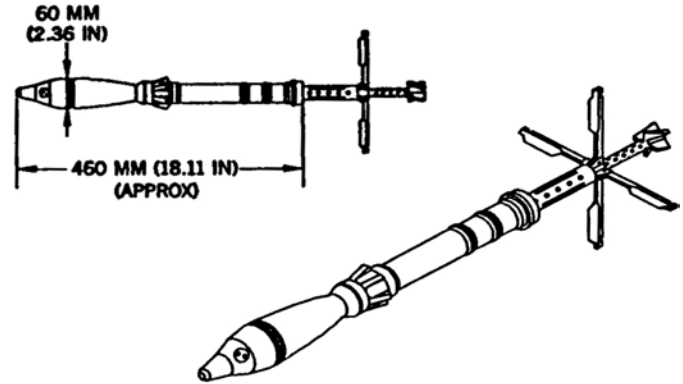


Ordnance used with:  
 UB-16-57-U, 57-MM, LAUNCHER, ROCKET  
 V-5K, ROCKET, PD, AIR-TO-SURFACE  
 UB-16-57-U, 57 MM, LAUNCHER, ROCKET, 16 SHOT  
 B-5, POINT DETONATING SELF DESTRUCT

## IRAQI ROCKET, 60-MM, HE, MODEL UNKNOWN

Ordnance used with:  
UT M68 P1, PROJECTILE, PD  
UT M68P1, PROJECTILE, PD  
UT.M68 P1, PROJECTILE, PD

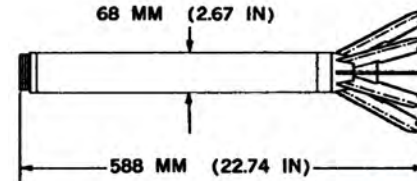
N.E.W. 200.00 G



## FRENCH ROCKET MOTOR, 68-MM, AIRCRAFT, MODEL F1

Ordnance used with:  
TYPE 116M, LAUNCHER, ROCKET, AIRCRAFT (MATRA)  
TYPE 116MA, LAUNCHER, ROCKET, AIRCRAFT (MATRA)  
TYPE 24, PD, SNEB, AIR-TO-SURFACE  
EAP MODEL F1, 68MM, WARHEAD, APERS, AIR-TO-SURFACE  
TYPE 23, PIBD, SNEB, AIR-TO-SURFACE  
TYPE 24A, PD, SNEB, AIR-TO-SURFACE  
F1, WARHEAD, 68 MM, HE, CC, AIR-TO-SURFACE

N.E.W. 1.66 KG





## FRENCH ROCKET MOTOR, 68-MM, AIRCRAFT, TYPE 25

Ordnance used with:

TYPE 116M, LAUNCHER, ROCKET, AIRCRAFT (MATRA)

TYPE 116MA, LAUNCHER, ROCKET, AIRCRAFT (MATRA)

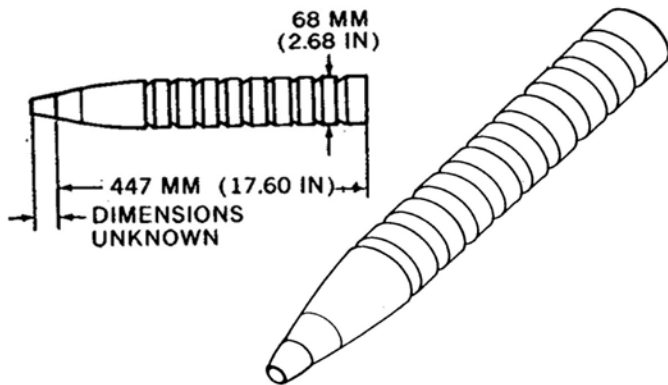
TYPE 68.36/01, DISPENSER, ROCKET, AIRCRAFT

TYPE 24, PD, SNEB, AIR-TO-SURFACE

EAP MODEL F1, 68MM, WARHEAD, APERS, AIR-TO-SURFACE

TYPE 26, 68-MM, WHD, HE, APERS, FRAG, AIR-TO-SURF, SNEB

TYPE 27, 68-MM, WHD, HE, APERS, FRAG, AIR-TO-SURF, SNEB



## FRENCH ROCKET WARHEAD, 68-MM, HE, APERS, FRAG, S.N.E.B. TYPE 26

Ordnance used with:

TYPE 116M, LAUNCHER, ROCKET, AIRCRAFT (MATRA)

TYPE 116MA, LAUNCHER, ROCKET, AIRCRAFT (MATRA)

TYPE 68.36/01, DISPENSER, ROCKET, AIRCRAFT

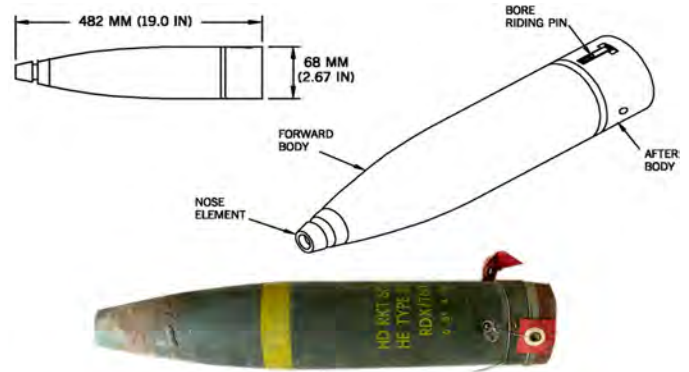
TYPE 24, PD, SNEB, AIR-TO-SURFACE

TYPE 24A, PD, SNEB, AIR-TO-SURFACE

TYPE 25, 68-MM, MOTOR, AIR-TO-SURFACE

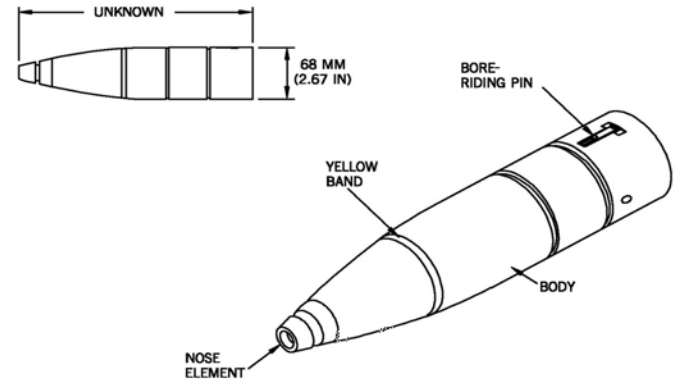
## FRENCH ROCKET WARHEAD, 68-MM, HE-FRAG, TYPE 26P

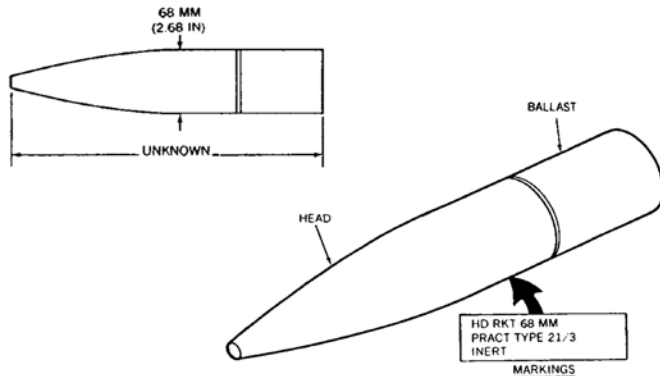
Ordnance used with:  
TYPE 116M, LAUNCHER, ROCKET, AIRCRAFT (MATRA)  
TYPE 116MA, LAUNCHER, ROCKET, AIRCRAFT (MATRA)  
TYPE 68.36/01, DISPENSER, ROCKET, AIRCRAFT  
TYPE 25, 68-MM, MOTOR, AIR-TO-SURFACE



## FRENCH ROCKET WARHEAD, 68-MM, HEAT, TYPE 23

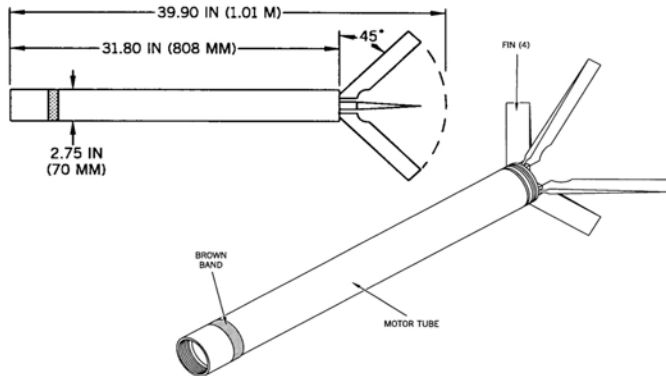
Ordnance used with:  
TYPE 68.36/01, DISPENSER, ROCKET, AIRCRAFT  
TYPE 25, 68-MM, MOTOR, AIR-TO-SURFACE  
TYPE 253, 68 MM, ROCKET, AIRCRAFT, SNEB





## FRENCH ROCKET WARHEAD, 68-MM, PRACTICE, SNEB, TYPE 22/3

Ordnance used with:  
 TYPE 116M, LAUNCHER, ROCKET, AIRCRAFT (MATRA)  
 TYPE 116MA, LAUNCHER, ROCKET, AIRCRAFT (MATRA)  
 TYPE 68.36/01, DISPENSER, ROCKET, AIRCRAFT  
 TYPE 25, 68-MM, MOTOR, AIR-TO-SURFACE



## U.S. ROCKET MOTOR, 2.75-IN: FFAR MK 1

Ordnance used with:  
 LAU-130/A, LAUNCHER, ROCKET  
 LAU-131/A, LAUNCHER, ROCKET  
 LAU-3/A, LAUNCHER, ROCKET  
 LAU-32/A, LAUNCHER, ROCKET  
 LAU-32A/A, LAUNCHER, ROCKET  
 LAU-3A/A, LAUNCHER, ROCKET  
 LAU-3B/A, LAUNCHER, ROCKET  
 N.E.W. 6.03 LB

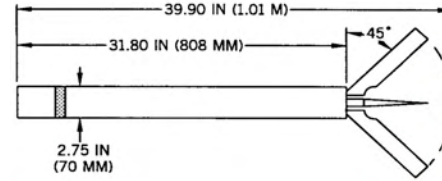


## U.S. ROCKET MOTOR, 2.75-IN: FFAR SR 105-AJ-1

Ordnance used with:

LAU-130/A, LAUNCHER, ROCKET  
LAU-131/A, LAUNCHER, ROCKET  
LAU-3/A, LAUNCHER, ROCKET  
LAU-32/A, LAUNCHER, ROCKET  
LAU-32A/A, LAUNCHER, ROCKET  
LAU-3A/A, LAUNCHER, ROCKET  
LAU-3B/A, LAUNCHER, ROCKET

N.E.W. 8.02 LB

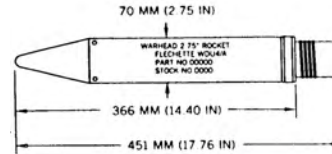


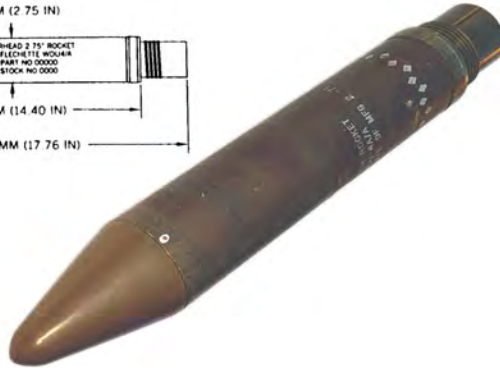
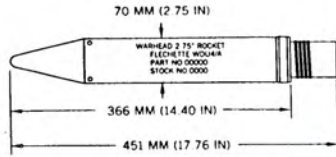
## U.S. ROCKET WARHEAD, 2.75-IN, FLECHETTE, WDU-4/A

Ordnance used with:

LAU-130/A, LAUNCHER, ROCKET  
LAU-131/A, LAUNCHER, ROCKET  
LAU-3/A, LAUNCHER, ROCKET  
LAU-32/A, LAUNCHER, ROCKET  
LAU-32A/A, LAUNCHER, ROCKET  
LAU-3A/A, LAUNCHER, ROCKET  
LAU-3B/A, LAUNCHER, ROCKET

N.E.W. 6.00 G



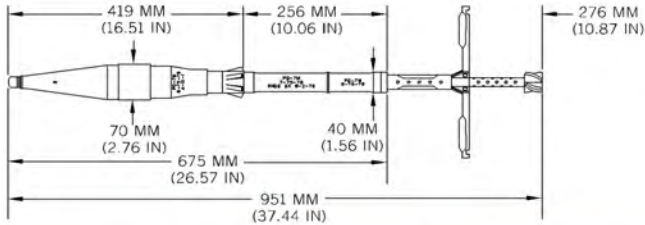


## U.S. ROCKET WARHEAD, 2.75-IN, FLECHETTE, WDU-4A/A

Ordnance used with:

LAU-130/A, LAUNCHER, ROCKET  
 LAU-131/A, LAUNCHER, ROCKET  
 LAU-3/A, LAUNCHER, ROCKET  
 LAU-32/A, LAUNCHER, ROCKET  
 LAU-32A/A, LAUNCHER, ROCKET  
 LAU-3A/A, LAUNCHER, ROCKET  
 LAU-3B/A, LAUNCHER, ROCKET

N.E.W. 6.00 G



## U.S.S.R. ROCKET, 70-MM, HEAT, PG-7M

Ordnance used with:

VP-7M, ROCKET, PIBD  
 PG-7VM, 70MM, CARTRIDGE, HEAT

N.E.W. 489.00 G

**U.S.S.R. ROCKET, 70-MM, GROUND-TO-GROUND,  
HEAT, PG7S**

Ordnance used with:  
VP-7M G CH, FUZE, ROCKET, PI ELEMENT  
VP-7M D CH, FUZE, ROCKET, BASE DETONATING ELEMENT



---

**BULGARIAN CARTRIDGE, 73-MM, ROCKET, HEAT,  
PG-15V**

Ordnance used with:  
PG-9, 73MM, HEAT  
MODEL UNKNOWN, PG-9, 73MM, ROCKET MOTOR  
PG-15P, 73MM, PROPELLING CHARGE  
SPG-9, 73MM, RECOILESS RIFLE





## BULGARIAN PROPELLING CHARGE, ROCKET CARTRIDGE, 73-MM, PG-15P

Ordnance used with:  
PG-15V, CARTRIDGE, 73MM, HEAT  
PG-9, 73MM, HEAT  
PG-15VN, CARTRIDGE, 73MM, HEAT  
PG-9N, 73MM, HEAT  
PG-15, CARTRIDGE, 73-MM, PRAC  
SPG-9, 73MM, RECOILESS RIFLE  
PG-9G, 73-MM, HEAT-T



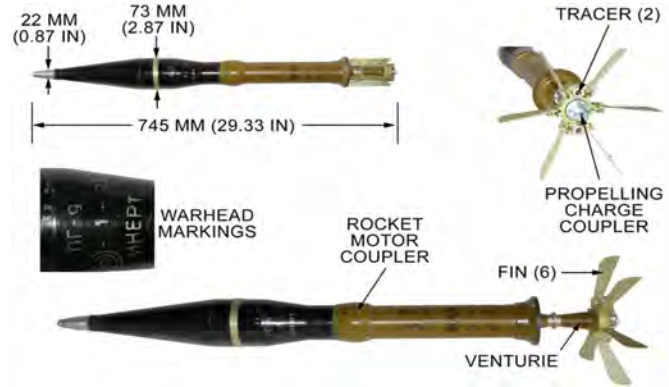
## BULGARIAN ROCKET, 73-MM, HEAT, PG-9



Ordnance used with:  
PG-15V, CARTRIDGE, 73MM, HEAT  
VP-9, ROCKET, PIBD  
PG-9V, 73MM, CARTRIDGE, ROCKET, HEAT  
MODEL UNKNOWN, PG-9, 73MM, ROCKET MOTOR  
PG-9P, 73MM, EXPELLING CHARGE  
PG-9P, 73MM, PROPELLING CHARGE  
PG-15P, 73MM, PROPELLING CHARGE

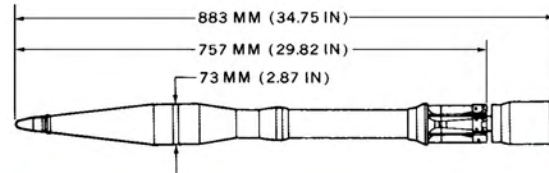
## BULGARIAN ROCKET, 73-MM, PRACTICE, PG-9

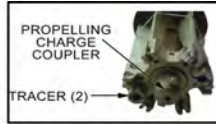
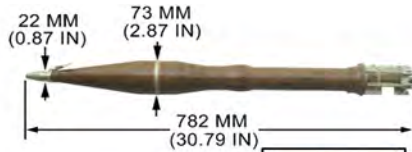
Ordnance used with:  
MODEL UNKNOWN, PG-9, 73MM, ROCKET MOTOR  
PG-9P, 73MM, EXPELLING CHARGE  
PG-9P, 73MM, PROPELLING CHARGE  
PG-15, CARTRIDGE, 73-MM, PRAC



## U.S.S.R. CARTRIDGE, 73-MM, HEAT-T, PG-9, PG-9S & PG-9 PRACTICE

Ordnance used with:  
PG-15, CARTRIDGE, 73-MM, HEAT-T  
PG-9, 73-MM, PRACTICE  
PG-9S, 73-MM, HEAT-T  
VP-9, ROCKET, PIBD  
PG-9, 73-MM, HEAT-T  
SPG-9, 73MM, RECOILLESS RIFLE  
PG-9G, 73-MM, HEAT-T





## U.S.S.R. ROCKET, 73-MM, HEAT-T, PG-9G

Ordnance used with:

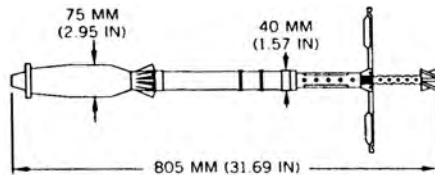
PG-15, CARTRIDGE, 73-MM, HEAT-T

PG-15P, 73MM, PROPELLING CHARGE

PG-9D, 73-MM, ROCKET MOTOR

VP-9 D CH, ROCKET, PIBD, BASE DETONATING ELEMENT

VP-9 G CH, ROCKET FUZE, PI ELEMENT



## CHINESE ROCKET, 75-MM, APERS, BOUNDING, TYPE 69

Ordnance used with:

MJ-7, FUZE, ROCKET, PIBD

DREOI, FUZE, ROCKET, PIBD



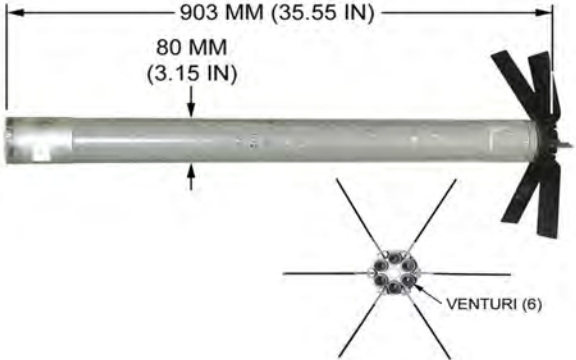
**CHINESE GRENADE, 80-MM, PROJECTED, HEAT**

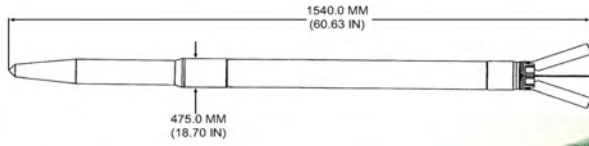
Ordnance used with:  
TYPE 4, PROJECTILE, BD



**U.S.S.R. ROCKET MOTOR, 80-MM, SOLID PROPELLANT, S-8-OF**

Ordnance used with:  
S-8-OF, 80-MM, HE/FRAG, AIR-TO-SURFACE  
S-8-OF, WARHEAD, 80-MM, HE/FRAG, AIR-TO-SURFACE

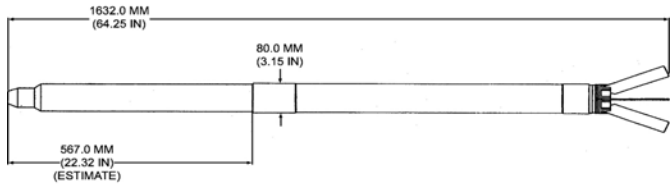




**U.S.S.R. ROCKET, 80-MM, APHE, S8BM**



**U.S.S.R. ROCKET, 80-MM, CHAFF, S8PM**

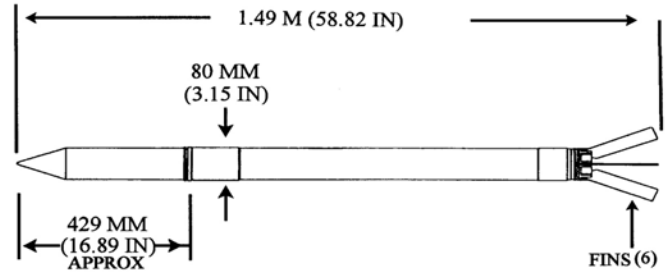




## U.S.S.R. ROCKET, 80-MM, FLECHETTE, S8ASM

Ordnance used with:

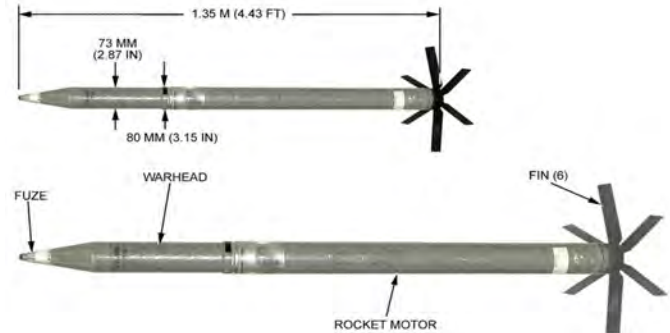
B-8M, LAUNCHER, ROCKET, 20-SHOT  
B-8M1, LAUNCHER, ROCKET, 20-SHOT  
B-8V20-A, LAUNCHER, ROCKET, 20-SHOT  
B-8V20A, LAUNCHER, ROCKET, 20-SHOT  
B-8V7, LAUNCHER, 7-SHOT



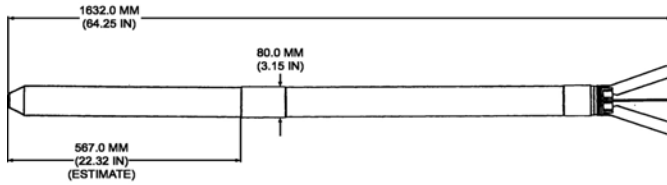
## U.S.S.R. ROCKET, 80-MM, HE/FRAG, S-8-OF

Ordnance used with:

V-8, ROCKET, PD, AIR-TO-SURFACE  
S-8-OF, WARHEAD, 80-MM, HE/FRAG, AIR-TO-SURFACE  
S-8-OF, 80-MM, MOTOR, SOLID PROPELLANT, AIR-TO-SURFACE



## U.S.S.R. ROCKET, 80-MM, ILLUMINATION, S80M



## U.S.S.R. WARHEAD, 80-MM, HE/FRAG, S-8-OF



Ordnance used with:  
S-8-OF, 80-MM, HE/FRAG, AIR-TO-SURFACE  
V-8, ROCKET, PD, AIR-TO-SURFACE  
S-8-OF, 80-MM, MOTOR, SOLID PROPELLANT, AIR-TO-SURFACE

## SWEDISH ROCKET, 81-MM, AIR-TO-SURFACE, SURFACE-TO-AIR, (SNORA)

Ordnance used with:

UGK 028, 81-MM, WARHEAD, PRACTICE, AIR-TO-SURF (SNORA)

UGK 033, 81-MM, WARHEAD, PRACTICE, AIR-TO-SURF (SNORA)

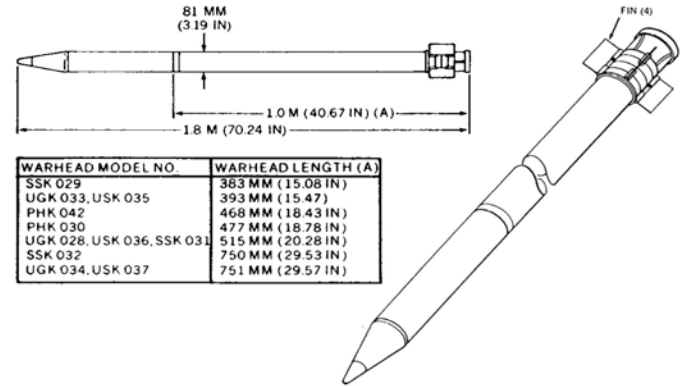
UGK 034, 81-MM, WARHEAD, PRACTICE, AIR-TO-SURF (SNORA)

USK 035, 81-MM, WARHEAD, MARKER, AIR-TO-SURFACE (SNORA)

USK 036, 81-MM, WARHEAD, MARKER, AIR-TO-SURFACE (SNORA)

USK 037, 81-MM, WARHEAD, MARKER, AIR-TO-SURFACE (SNORA)

SSK 029, 81-MM, WARHEAD, HE-FRAG, AIR-TO-SURFACE (SNORA)



## U.S.S.R. ROCKET, 82 MM, HE, OG82

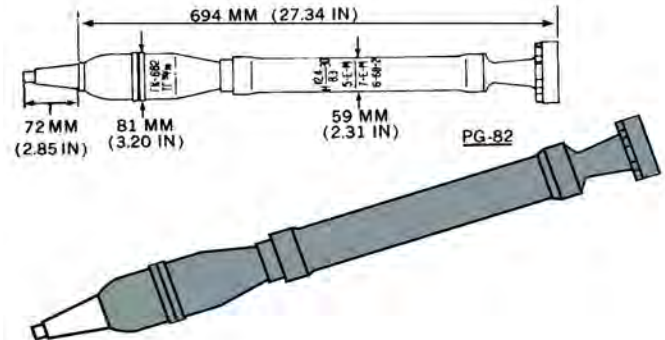
Ordnance used with:

GK-1, FUZE, PROJECTILE, PD

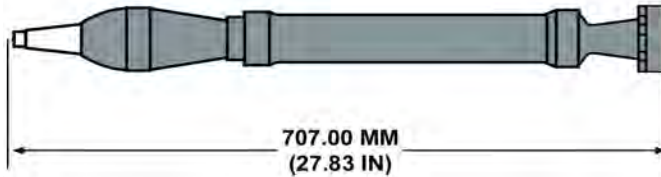
GK-2, FUZE, PROJECTILE, PD

GK-2M, FUZE, PROJECTILE, PD

GK-662, 82 MM, WARHEAD, HEAT



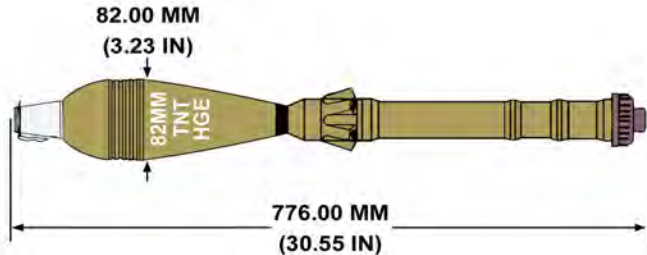
## U.S.S.R. ROCKET, 82-MM, FRAG-HE, OG-82



Ordnance used with:  
GK-1, FUZE, PROJECTILE, PD  
GK-2, FUZE, PROJECTILE, PD  
GK-2M, FUZE, PROJECTILE, PD  
GO-662, 82 MM, WARHEAD

---

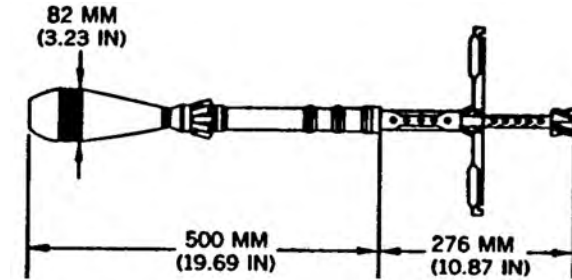
## IRAQI ROCKET, 82-MM, GROUND-TO-GROUND, HE, OG-82



Ordnance used with:  
M6, PROJECTILE, PDSD  
SH-82, PROJECTILE, PD

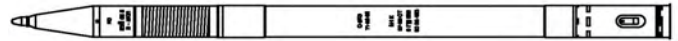
N.E.W. 0.97 LB

## IRAQI ROCKET, 82-MM, HE, MODEL UNKNOWN



N.E.W. 3.20 KG

## U.S.S.R. ROCKET, 80-MM, HEAT/FRAG, S-8KO



Ordnance used with:

9-K1-608, ROCKET, BASE, AIR-TO-SURFACE

B-8M, LAUNCHER, ROCKET, 20-SHOT

B-8M1, LAUNCHER, ROCKET, 20-SHOT

B-8V20-A, LAUNCHER, ROCKET, 20-SHOT

B-8V20A, LAUNCHER, ROCKET, 20-SHOT

B-8V7, LAUNCHER, 7-SHOT

V-5KP1, ROCKET, PIBD, AIR-TO-SURFACE

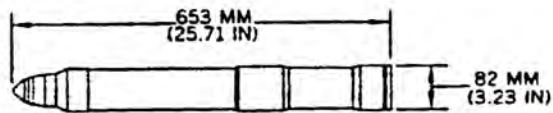


## U.S.S.R. ROCKET, 80-MM, HEAT/FRAG, S-8KOM

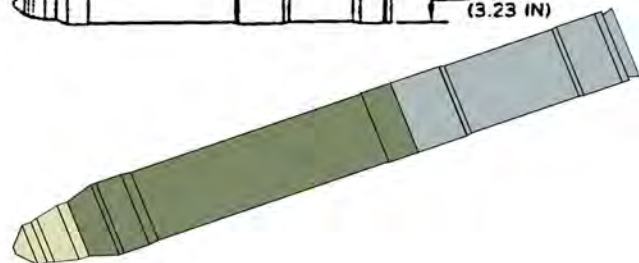


Ordnance used with:

- 9-K1-608, ROCKET, BASE, AIR-TO-SURFACE
- B-8M, LAUNCHER, ROCKET, 20-SHOT
- B-8M1, LAUNCHER, ROCKET, 20-SHOT
- B-8V20-A, LAUNCHER, ROCKET, 20-SHOT
- B-8V20A, LAUNCHER, ROCKET, 20-SHOT
- B-8V7, LAUNCHER, 7-SHOT
- V-5KP1, ROCKET, PIBD, AIR-TO-SURFACE



## U.S.S.R. ROCKET, 82-MM, IR, TST-60U

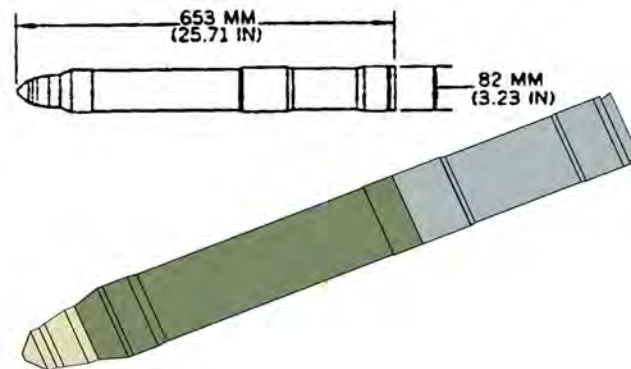


Ordnance used with:

- MODEL UNKNOWN, MT, ROCKET
- TMP-30, MT, ROCKET

## U.S.S.R. ROCKET, 82-MM, TSP-60U

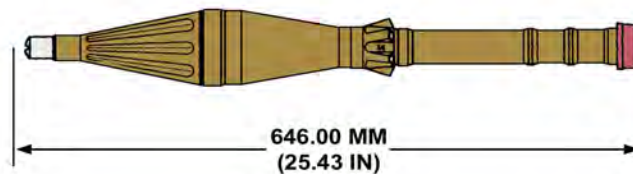
Ordnance used with:  
MODEL UNKNOWN, MT, ROCKET  
TMP-30, MT, ROCKET

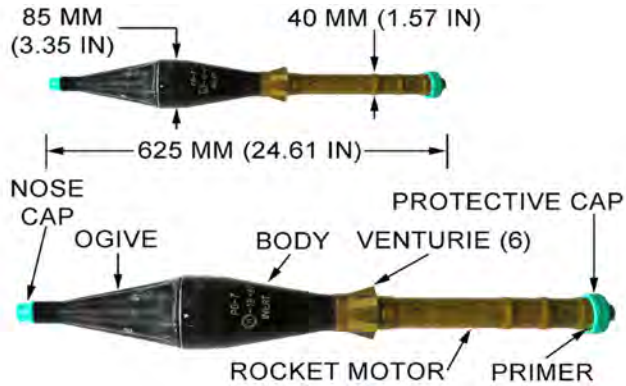


---

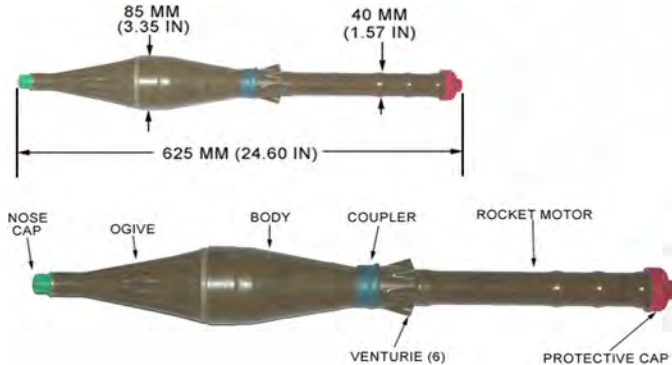
## BULGARIAN ROCKET, 85-MM, HEAT, PG7

Ordnance used with:  
VP-7M, ROCKET, PIBD





**BULGARIAN ROCKET, 85-MM, PRACTICE, PG-7**

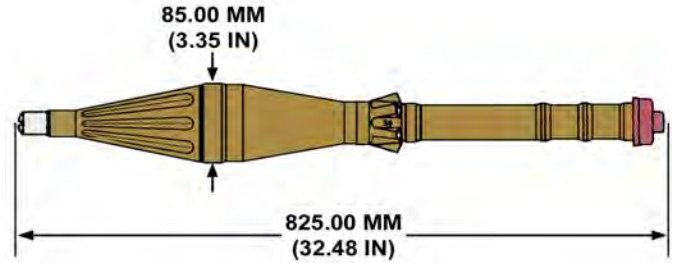


**BULGARIAN ROCKET, 85-MM, TRAINING, PG-7**



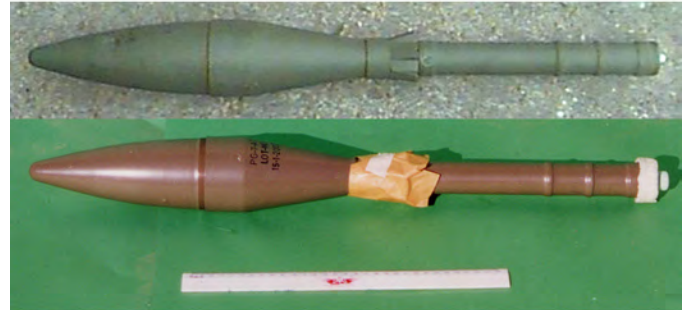
## CHINESE ROCKET, 85-MM, HEAT, TYPE 69-1

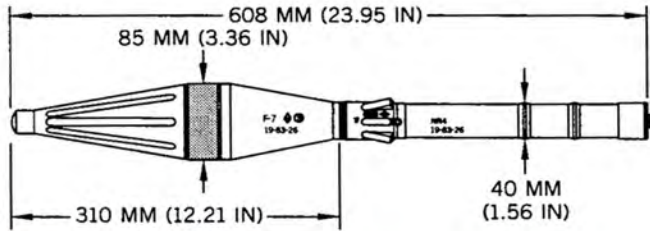
Ordnance used with:  
MODEL UNKNOWN, EXPELLING CHARGE FOR TYPE 69-1



---

## IRANIAN ROCKET, HEAT-T, NADER





**NORTH KOREAN ROCKET, 85-MM, HE-FRAG, APERS, F-7**

Ordnance used with:  
NRT-7B, BDSD

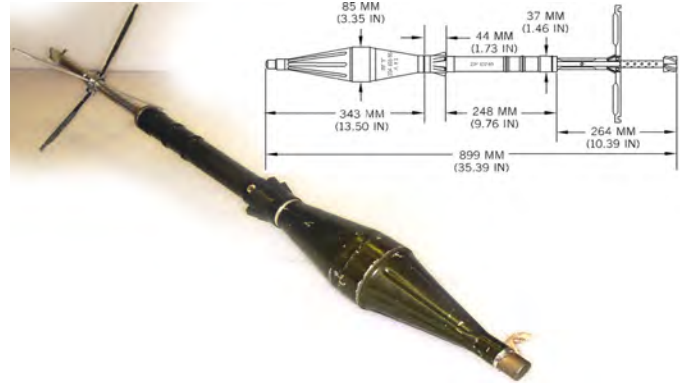


**U.S.S.R. ROCKET, 85-MM, HEAT, PG-7**

Ordnance used with:  
VP-7, ROCKET, PIBD

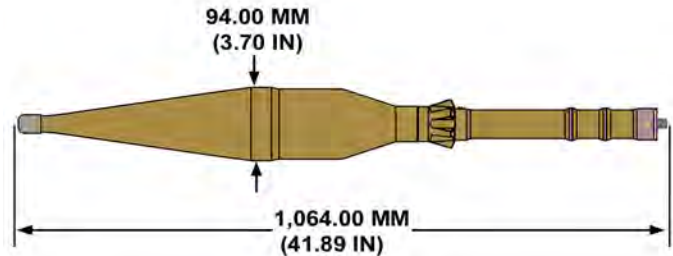
## U.S.S.R. ROCKET, 85-MM, HEAT-T, MODEL PG-7G

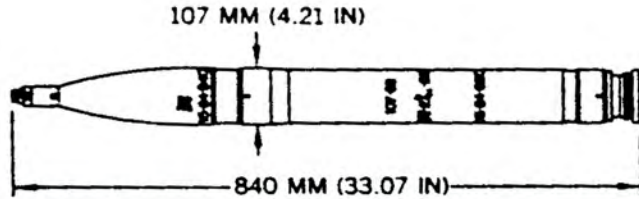
Ordnance used with:  
VP-7, ROCKET, PIBD



N.E.W. 770.00 G

## CHINESE ROCKET, 94-MM, HEAT, TYPE 69-II



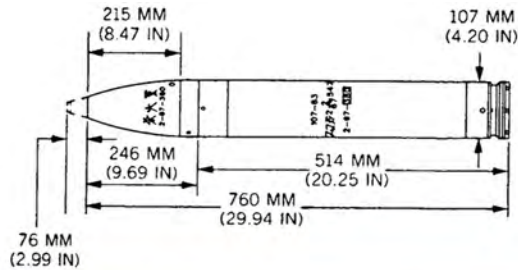


### CHINESE ROCKET, 107-MM, HE, TYPE 63-2

Ordnance used with:  
MJ-1, ROCKET, PD



N.E.W. 1.30 KG



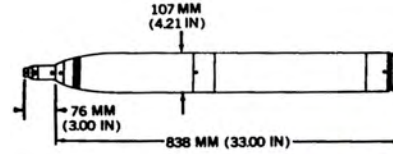
### CHINESE ROCKET, 107-MM, HE-FRAG, SPIN-STABLIZED, TYPE 63

Ordnance used with:  
MD-21, ROCKET, PROXIMITY  
TYPE 1, ROCKET, PD



## CHINESE ROCKET, 107-MM, INCENDIARY, TYPE 63-1

Ordnance used with:  
MD-21, ROCKET, PROXIMITY  
MJ-1, ROCKET, PD  
TYPE 63-1, WARHEAD, 107 MM, INCENDIARY



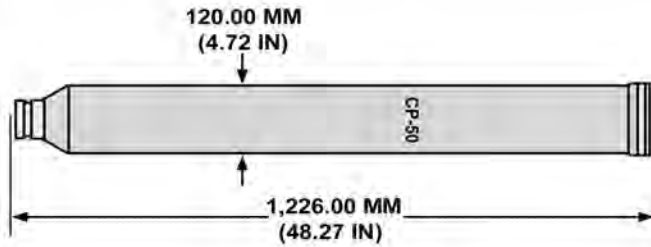
---

## GERMAN ATI 5000 (AIR TARGET IMITATOR)

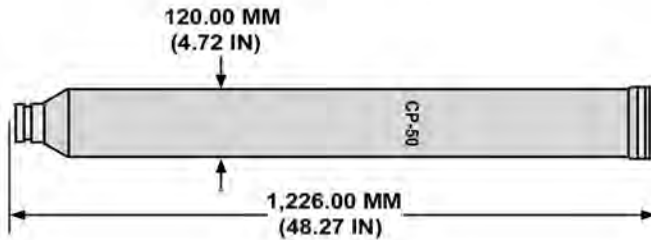
Ordnance used with:  
T-7, ROCKET, TIME



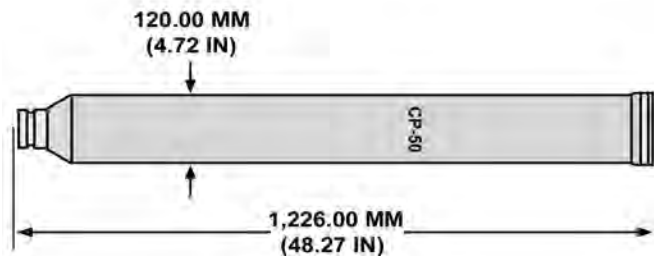
**U.S.S.R. ROCKET, 120-MM, DECOY, SOM-50**



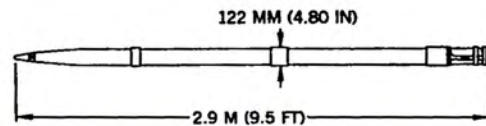
**U.S.S.R. ROCKET, 120-MM, DECOY, SR-50**



## U.S.S.R. ROCKET, 120-MM, DECOY, TYPE 63-2



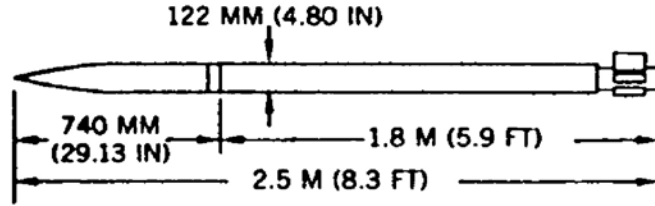
## CHINESE ROCKET, 122-MM, HE, TYPE 81



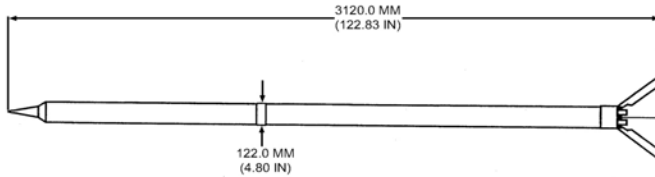
Ordnance used with:  
MJ-4, ROCKET, PD  
MJ-4A, ROCKET, PD



**ITALIAN ROCKET, 122-MM, MODEL 122/A**



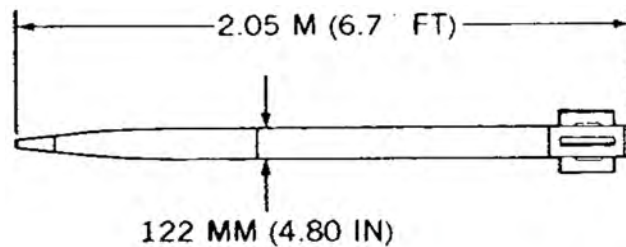
**U.S.S.R. ROCKET, 122-MM, AIR-TO-SURFACE, HE, S-13D**



Ordnance used with:  
B-13L, LAUNCHER, ROCKET, 5 SHOT

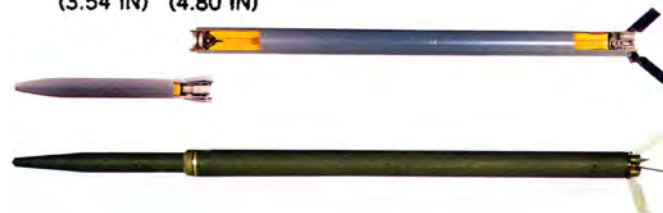
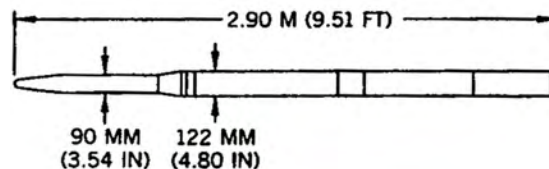


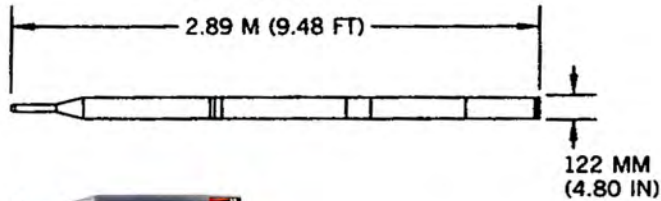
**U.S.S.R. ROCKET, 122-MM, HE, 9M28F**



N.E.W. 6.00 KG

**U.S.S.R. ROCKET, 122-MM, HE, S-13**





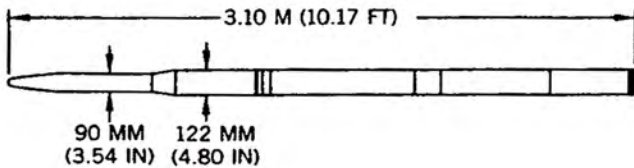
### U.S.S.R. ROCKET, 122-MM, HE, S-13-OF

Ordnance used with:  
B-13L, LAUNCHER, ROCKET, 5 SHOT



N.E.W. 7.00 KG

---



### U.S.S.R. ROCKET, 122-MM, HE, S-13-T

Ordnance used with:  
B-13L, LAUNCHER, ROCKET, 5 SHOT

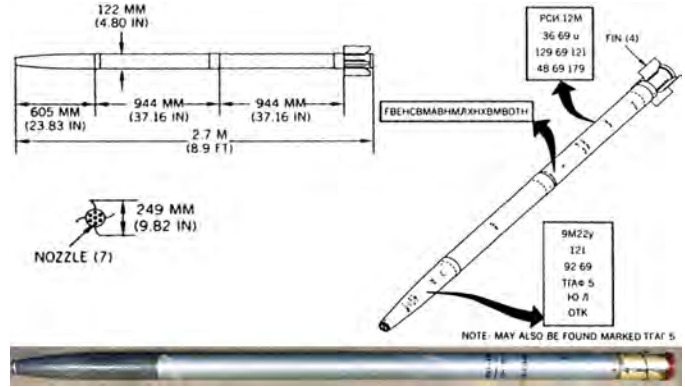


N.E.W. 4.50 KG

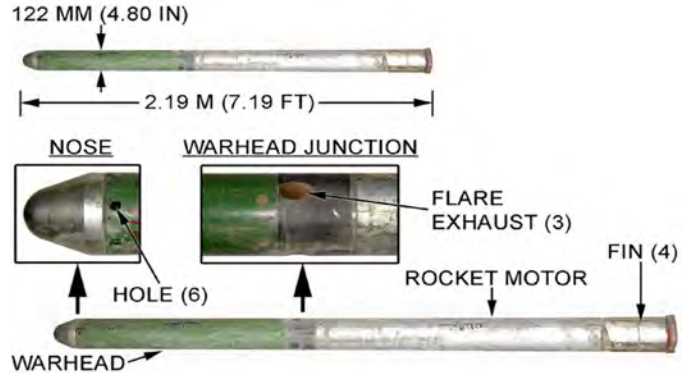
---

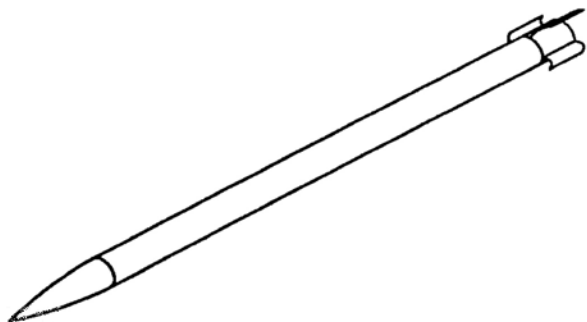
**U.S.S.R. ROCKET, 122-MM, HE-FRAG, FIN & SPIN-STABILIZED, 9M22U (9-FOOT)**

Ordnance used with:  
 MRV-U, ROCKET, PD  
 9E210, ROCKET, PD  
 M-210F, WARHEAD, 122-MM, HE-FRAG  
 M-210FM, ROCKET WARHEAD, 122-MM, HE-FRAG  
 MRV-U, ROCKET, PD



**UNKNOWN COUNTRY ROCKET, 122-MM, TARGET PRACTICE, MODEL UNKNOWN**

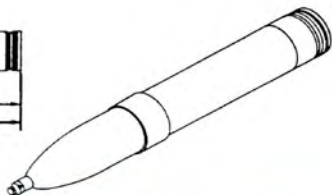
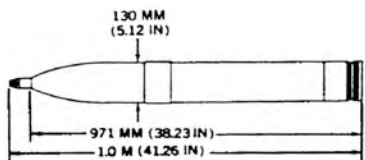




## BRAZILIAN ROCKETS, 127-MM, SS-15 AND SS-30

Ordnance used with:  
M20 C1, ROCKET, PD  
M20-C1, ROCKET, PD  
M20C1, ROCKET, PD

N.E.W. 35.53 KG



## CHINESE ROCKET, 130-MM, HE, MODEL UNKNOWN

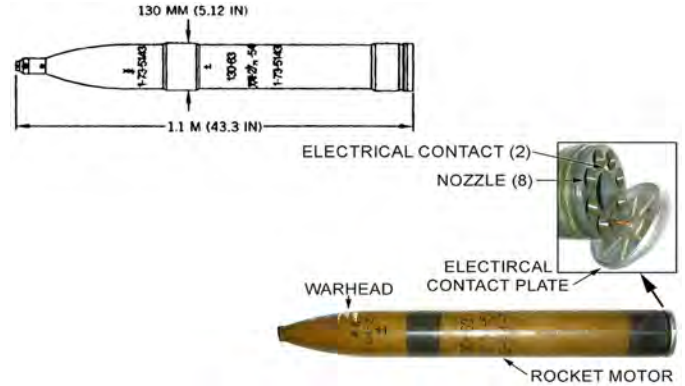
Ordnance used with:  
TYPE JIAN-1, PD, RKT



N.E.W. 3.05 KG

## CHINESE ROCKET, 130-MM, SP, TYPE 63

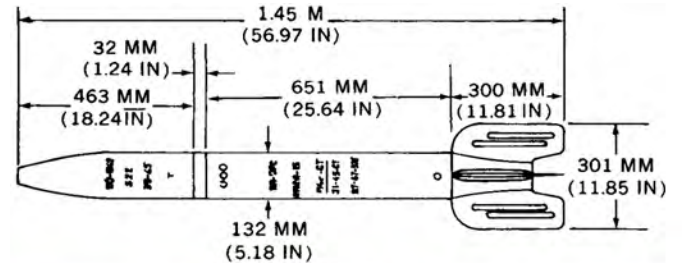
Ordnance used with:  
MJ-1, ROCKET, PD



N.E.W. 9.72 KG

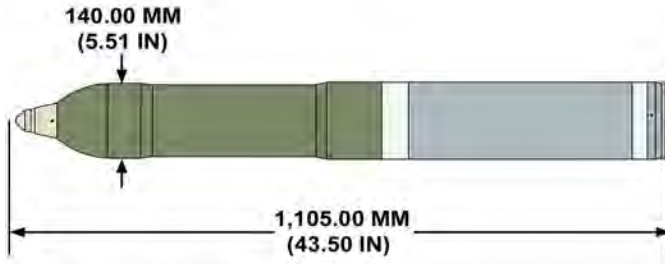
## U.S.S.R. ROCKET, 132-MM, FRAG-HE, FIN AND SPIN-STABILIZED, M-13UK

Ordnance used with:  
GVM, FUZE, PROJECTILE, PD  
GVMZ, FUZE, PROJECTILE, PD  
GVMZ-1, FUZE, PROJECTILE, PD

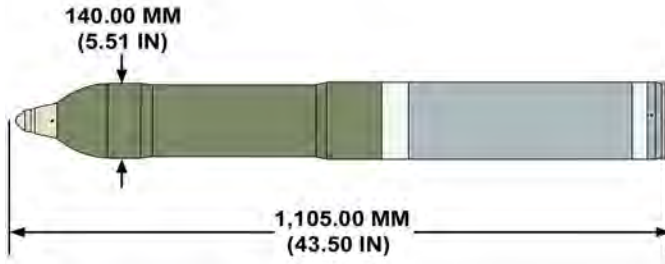


N.E.W. 4.80 KG

**U.S.S.R. DECOY ROCKET, 140-MM, SHIP-TO-AIR,  
TSTV-47**



**U.S.S.R. ROCKET, 140-MM, CHAFF,  
SURFACE-TO-AIR, TSP-47**

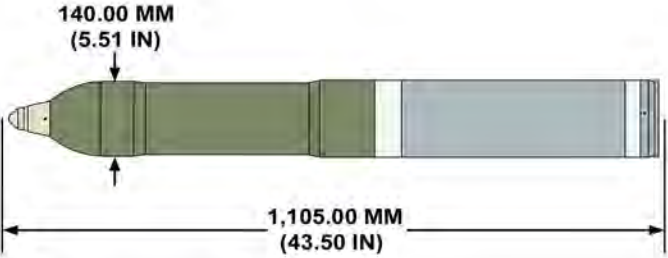


Ordnance used with:  
MODEL UNKNOWN, MT, ROCKET  
TMP-30, MT, ROCKET  
TMR 44, ROCKET FUZE, MT

---

**U.S.S.R. ROCKET, 140-MM, COMBINED EFFECT,  
SURFACE-TO-AIR, TSO-47**

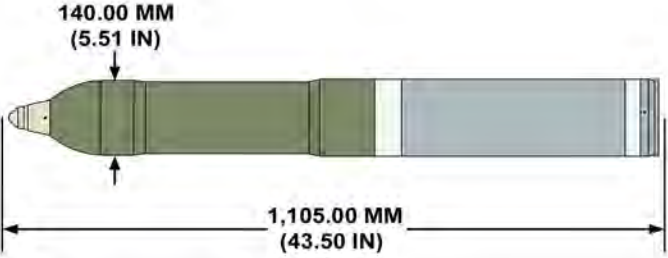
Ordnance used with:  
MODEL UNKNOWN, MT, ROCKET  
TMP-30, MT, ROCKET  
TMR 44, ROCKET FUZE, MT



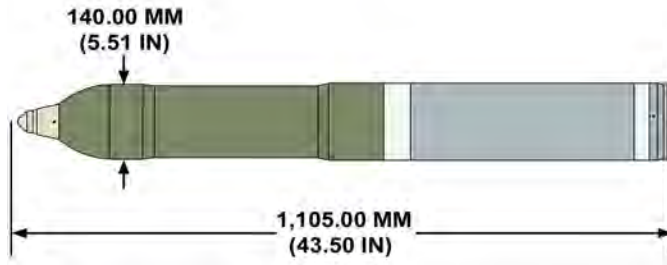
---

**U.S.S.R. ROCKET, 140-MM, IR, SURFACE-TO-AIR,  
TST-47**

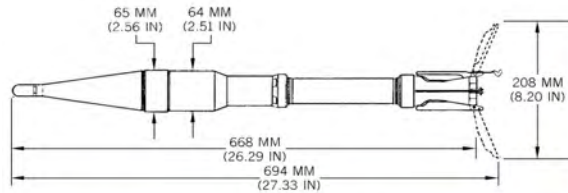
Ordnance used with:  
MODEL UNKNOWN, MT, ROCKET  
TMP-30, MT, ROCKET  
TMR 44, ROCKET FUZE, MT



## U.S.S.R. ROCKET, 140-MM, RADAR DECOY ROCKET, TSR-47



Ordnance used with:  
MODEL UNKNOWN, MT, ROCKET  
TMR 44, ROCKET FUZE, MT



## U.S.S.R. ROCKET, 64-MM, HEAT, MODEL PG-18

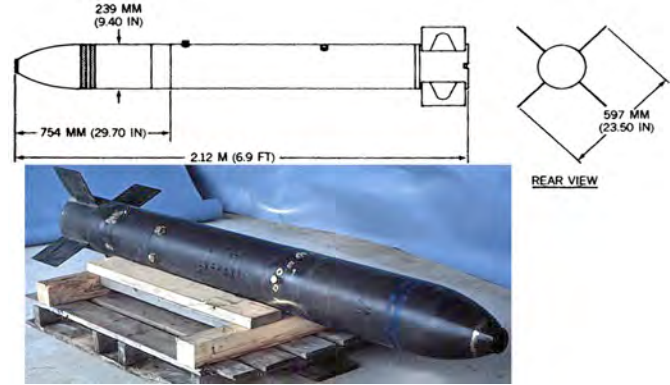
Ordnance used with:  
V659, ROCKET, BD  
VP-18 D CH, ROCKET, BD ELEMENT





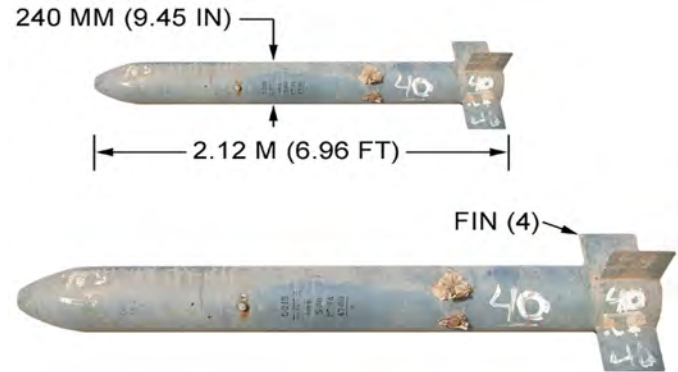
**U.S.S.R. ROCKET, 240-MM, AIRCRAFT, HE, MODEL S-24**

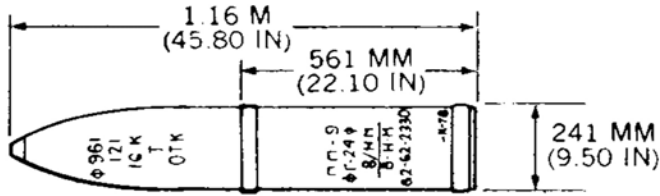
Ordnance used with:  
V-24A, PD, ROCKET  
9-A-682, ROCKET, PROXIMITY, AIR-TO-SURFACE  
RV-24, ROCKET, PROXIMITY, AIR-TO-SURFACE



**U.S.S.R. ROCKET, 240-MM, AIRCRAFT, HE, MODEL S-24B**

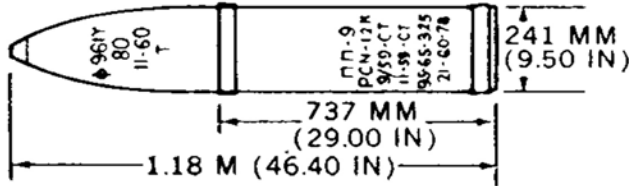
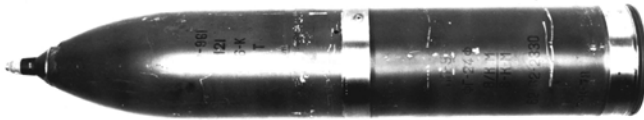
Ordnance used with:  
TMR 44, ROCKET FUZE, MT





### U.S.S.R. ROCKET, 240-MM, HE, SPIN-STABILIZED F-961

Ordnance used with:  
V-24, PD, NOSE, ROCKET  
V-24A, PD, ROCKET  
V-25, ROCKET, PD



### U.S.S.R. ROCKET, 240-MM, HE, SPIN-STABILIZED F961U

Ordnance used with:  
V-24, PD, NOSE, ROCKET  
V-24A, PD, ROCKET  
V-25, ROCKET, PD

## YUGOSLAV ROCKET, 262-MM, ABABEL 50, HE, M87

Ordnance used with:

ABABEEL

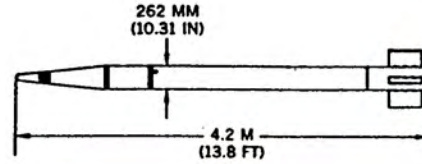
ABABEL

KPTM, AT

KRTM, AT

YU-S-AT, AT, HE

UTE M85B, ROCKET, ELECTRONIC TIME

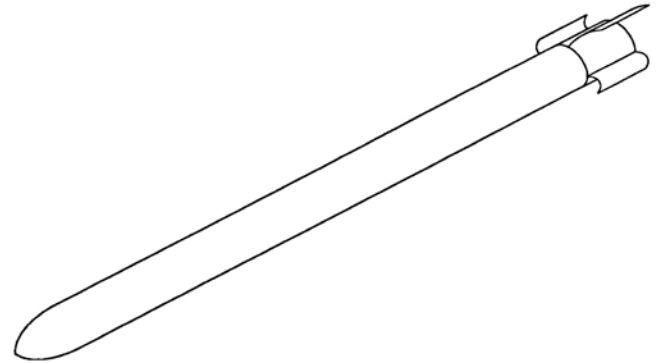


SHIPPING CONTAINER MARKINGS



---

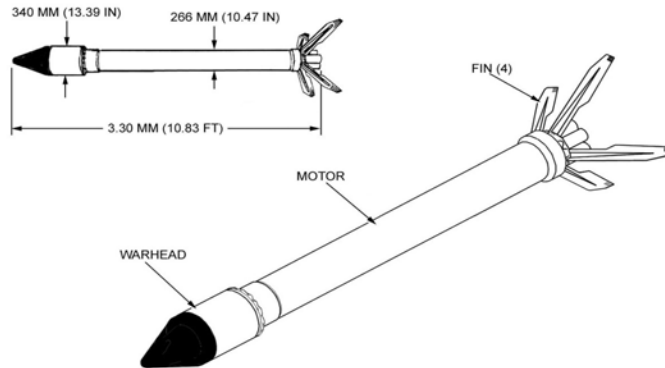
## BRAZILIAN ROCKET, 300-MM, SS-60



## ITALIAN ROCKET, 122-MM, FIROS-25



Ordnance used with:  
PDB 122, ROCKET, PD



## U.S.S.R. ROCKET, 340-MM, AIR-TO-SURFACE, S-25-OFME AND OFM

Ordnance used with:  
S-25LD, AIR-TO-SURF  
S-25L  
RV-25, ROCKET, PROXIMITY  
I-415, ROCKET, PD  
S-25-OFM-PU, 266-MM, HE, SYS, AIR-TO-SURF (340-MM)

## U.S.S.R. ROCKET, 266-MM, AIR TO SURFACE, HE, S-25-O-PU

Ordnance used with:

O-25 L/E, LNCHEER, ROCKET, A-TO-SURF (266-MM) (EXPORT)

O-25 L, LAUNCHER, ROCKET, AIR-TO-SURFACE (266-MM)

S-25 O, 266-MM, AIR-TO-SURFACE, HE (420-MM)

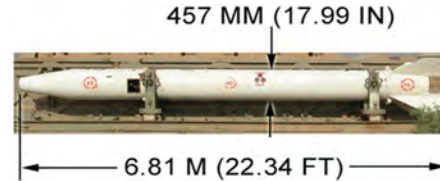
RV-25, ROCKET, PROXIMITY

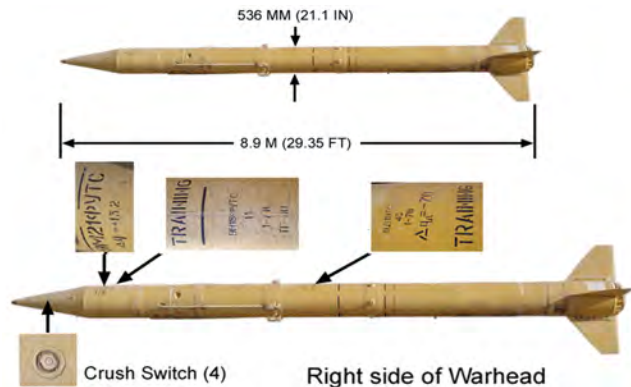
S-25-O-PU, 266-MM, HE, AIR-TO-SURFACE SYSTEM



---

## UNKNOWN COUNTRY ROCKET, AL-FATH





## U.S.S.R. ROCKET, 544-MM, 9M21FUTS, TRAINING (FROG-7)

Ordnance used with:  
9N18FUTC, 544MM, WARHEAD, TRAINING



## U.S.S.R. ROCKETS, SURFACE-TO-SURFACE, FROG-7A & FROG-7B

Ordnance used with:  
9N18F, WARHEAD, HEDP



## **BULGARIAN PROPELLING CHARGE, ROCKET CARTRIDGE, 73-MM, PG-9P**

Ordnance used with:

PG-9, 73MM, HEAT

PG-9N, 73MM, HEAT

PG-9V, 73MM, CARTRIDGE, ROCKET, HEAT

PG-9VN, 73MM, CARTRIDGE, ROCKET, HEAT

PG-9, 73MM, PRACTICE

PG-9, 73MM, CARTRIDGE, PRACTICE



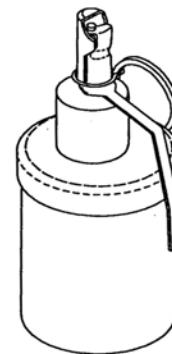
**IRANIAN GRENADE, RIFLE, HEAT, MODEL UNKNOWN**



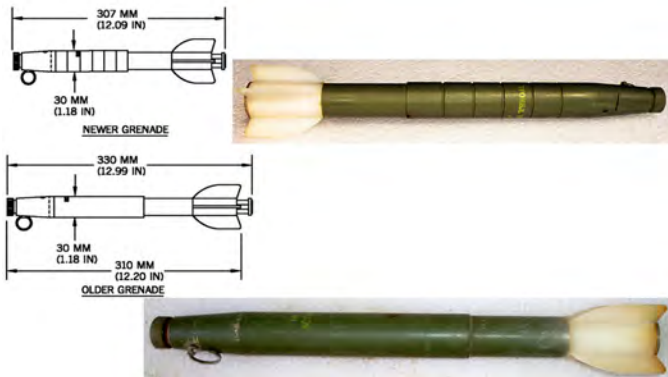
**IRAQI GRENADE, HAND, ILLUMINATION, MODEL UNKNOWN**



**DIMENSIONS UNKNOWN**



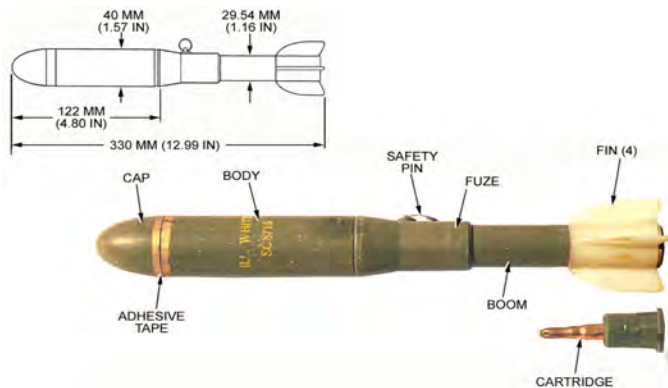




**YUGOSLAV GRENADE, RIFLE, 30-MM, HE, TTM, M60P1**

Ordnance used with:  
 M70P1, GRENADE, PD  
 UT,M70P1, GRENADE, PD  
 UT M2, GRENADE, PD  
 UT, M2, GRENADE, PD  
 UT M94T-CH, GRENADE, PD  
 UT M3, GRENADE, PD  
 UT,M3, GRENADE, PD

N.E.W. 60.00 G



**YUGOSLAV GRENADE, RIFLE, 40-MM, ILLUMINATION, M62**

Ordnance used with:  
 OU,M62, BASE INITIATING

N.E.W. 0.22 LB

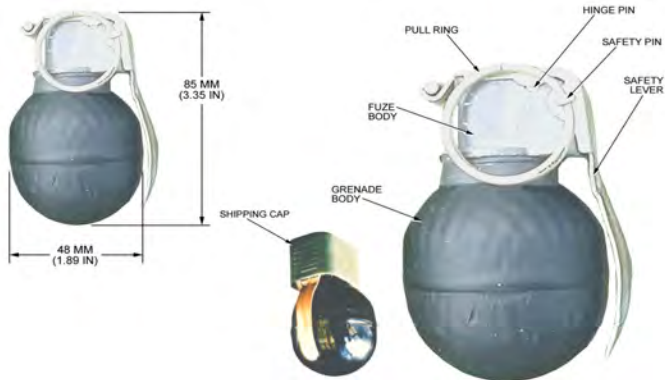
**YUGOSLAV GRENADE, RIFLE, SMOKE, M62**

Ordnance used with:  
DU,M62, BASE-INITIATING, PYROTECHNIC DELAY  
DI,M62, BASE-INITIATING, PYROTECHNIC DELAY



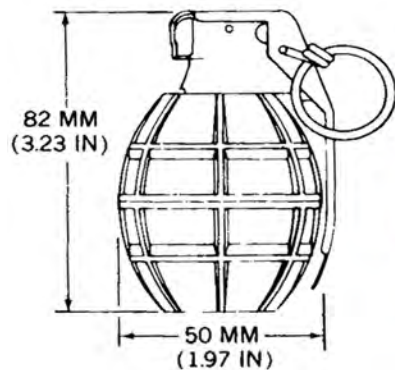
**CHINESE GRENADE, HAND, FRAG, TYPE 82-1**





### CHINESE GRENADE, HAND, FRAG, TYPE 82-2 (TYPE 82-2S)

N.E.W. 62.00 G



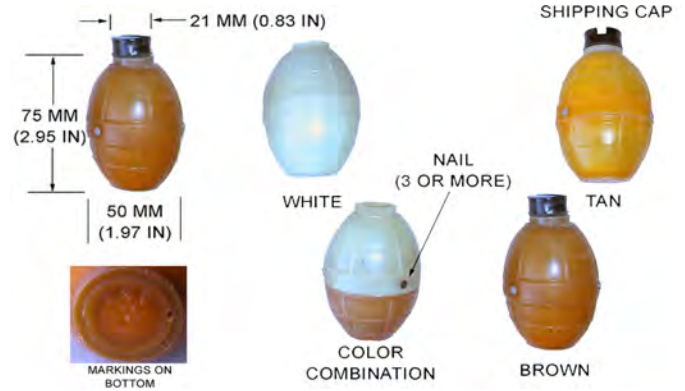
### BELGIAN GRENADE, HAND, FRAG, MODEL PRB NR 423

Ordnance used with:  
PRB NR 2432, GRENADE, STRIKER-RELEASE

N.E.W. 60.00 G

## IRAQI GRENADE, HAND, FRAG, MODEL UNKNOWN

Ordnance used with:  
UZRGM, GRENADE, STRIKER-RELEASE



N.E.W. 36.05 G

## UNKNOWN COUNTRY GRENADE, HAND, TRAINING, MODEL UNKNOWN





## CHINESE GRENADE, HAND, FRAG, TYPE 86P

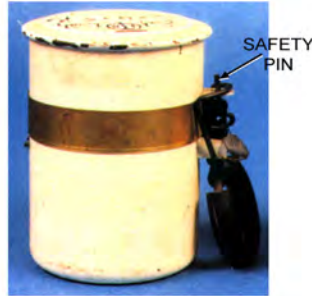
Ordnance used with:  
86P, GRENADE, STRIKER-RELEASE



N.E.W. 39.28 G



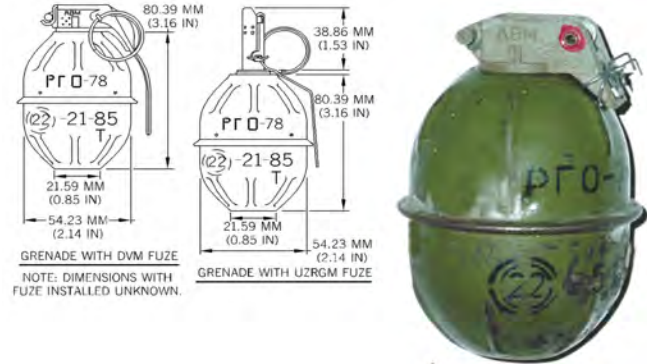
## EGYPTIAN GRENADE, HAND, FRAG, NO. 2



N.E.W. 42.00 G

## BULGARIAN GRENADE, HAND, FRAG, RGO-78

Ordnance used with:  
DVM, GRENADE, STRIKER-RELEASE  
UZRGM, GRENADE, STRIKER-RELEASE

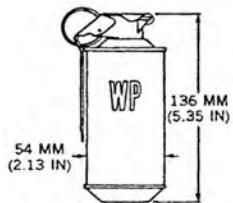


N.E.W. 82.00 G

## BULGARIAN GRENADE, HAND, PRACTICE, RGO-78IM

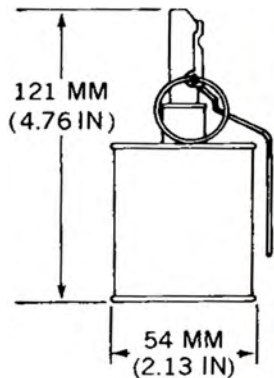
Ordnance used with:  
UNKNOWN, GRENADE, STRIKER-RELEASE, PRACTICE





## NETHERLANDS GRENADE, HAND, SMOKE, PHOSPHORUS, NO. 80 MK 1

Ordnance used with:  
NO. 2 MK 1/1, GRENADE, STRIKER-RELEASE



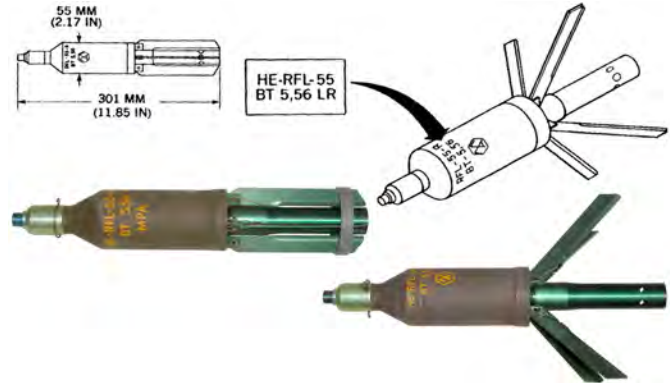
## U.S.S.R. GRENADE, HAND, DEFENSIVE, RG-42

Ordnance used with:  
UZRG, GRENADE, STRIKER-RELEASE  
UZRGM, GRENADE, STRIKER-RELEASE  
FGM-1, GRENADE, STRIKER-RELEASE

N.E.W. 120.00 G

**BELGIAN GRENADE, RIFLE, HE-FRAG, ROCKET ASSISTED, HE-RFL-55 LR BTU, M287**

Ordnance used with:  
F55, GRENADE, PIBD



N.E.W. 158.00 G

**RUSSIAN GRENADE, HAND, PRACTICE, URG**

Ordnance used with:  
UNKNOWN, GRENADE, STRIKER-RELEASE, PRACTICE

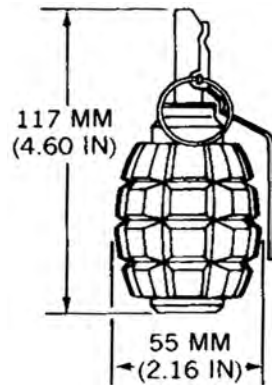






## RUSSIAN GRENADE, HAND, PRACTICE, URG-N

Ordnance used with:  
UNKNOWN, GRENADE, STRIKER-RELEASE, PRACTICE

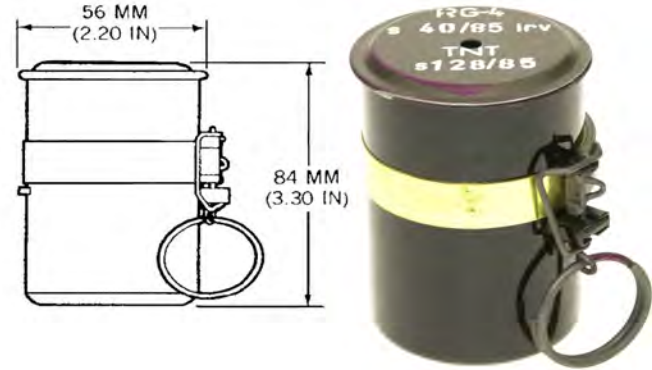


## U.S.S.R. GRENADE, HAND, DEFENSIVE, F-1; ROMANIAN GRENADE, TIP F-1

Ordnance used with:  
F-IN-60, 55MM, RIFLE, FRAG  
UZRG, GRENADE, STRIKER-RELEASE  
UZRGM, GRENADE, STRIKER-RELEASE  
UZRGM-2, GRENADE, STRIKER-RELEASE  
FGM-1, GRENADE, STRIKER-RELEASE

N.E.W. 50.00 G

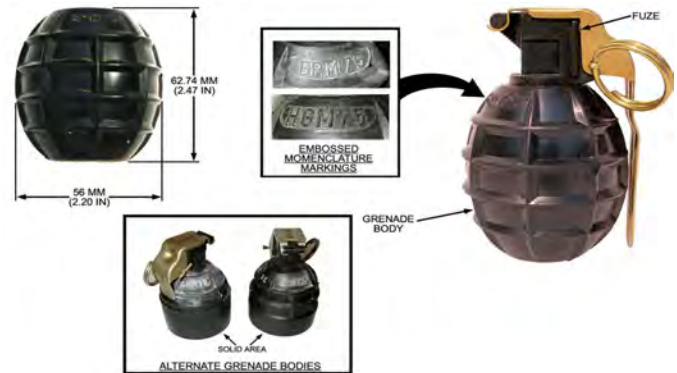
## CZECHOSLOVAKIAN GRENADE, HAND, MOD RG-4



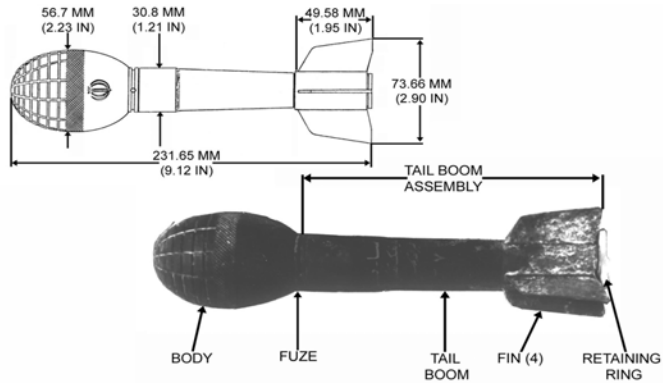
N.E.W. 51.00 G

## YUGOSLAV GRENADE, HAND, FRAG, BRM 75

Ordnance used with:  
M62, GRENADE, PERCUSSION  
PU,M62, GRENADE, PERCUSSION  
UBRV-M75, GRENADE, STRIKER-RELEASE



N.E.W. 43.20 G



### IRANIAN GRENADE, RIFLE, HE-FRAG, SA-100

Ordnance used with:  
SA-100, HAND, FRAG  
UNKNOWN, GRENADE, BD

N.E.W. 43.61 G



### UNKNOWN COUNTRY GRENADE, HAND, FRAG, MODEL UNKNOWN

Ordnance used with:  
MODEL UNKNOWN, GRENADE, HAND, STRIKER-RELEASE

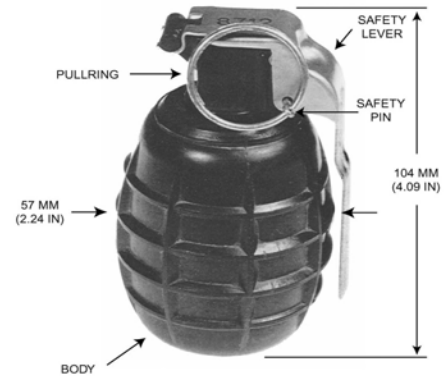
N.E.W. 41.64 G

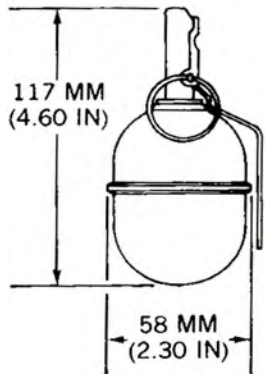
**UNKNOWN COUNTRY GRENADE, HAND, TRAINING,  
MODEL UNKNOWN**



**YUGOSLAV GRENADE, HAND, BLAST, M75**

Ordnance used with:  
UBRV-M75, GRENADE, STRIKER-RELEASE





## U.S.S.R. GRENADE, HAND, DEFENSIVE, RGD-5

Ordnance used with:  
DVM, GRENADE, STRIKER-RELEASE  
UZRG, GRENADE, STRIKER-RELEASE  
UZRGM, GRENADE, STRIKER-RELEASE

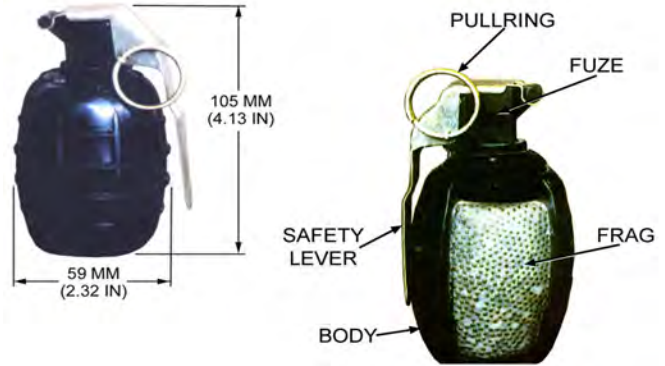
N.E.W. 111.00 G



## U.S.S.R. GRENADE, HAND, PRACTICE, RG-42

## EGYPTIAN GRENADE, HAND, FRAG, NO. 1

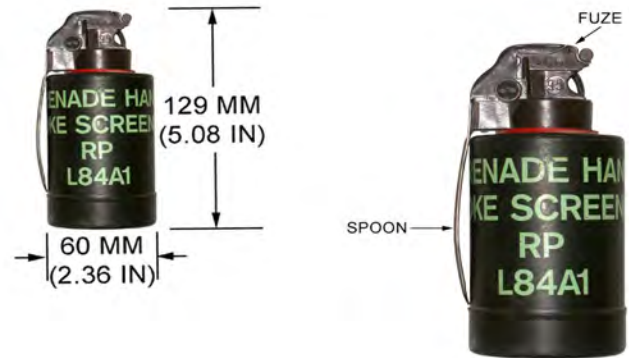
Ordnance used with:  
UNKNOWN, GRENADE, STRIKER-RELEASE



N.E.W. 65.00 G

## GERMAN GRENADE, HAND, SMOKE, L84A1

Ordnance used with:  
UNKNOWN, GRENADE, STRIKER-RELEASE



## ITALIAN GRENADE, HAND, SMOKE, VS-MK-83

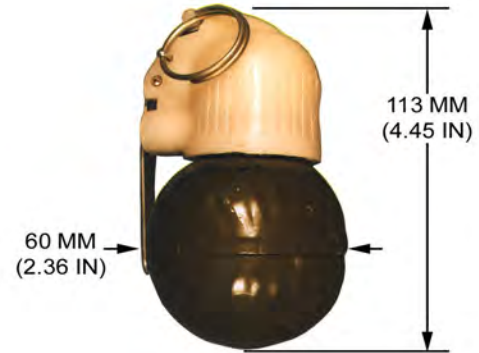


## U.K. GRENADE, HAND, SMOKE, COLORED, MODEL UNKNOWN



## U.S.S.R. GRENADE, HAND, FRAG, RGN

Ordnance used with:  
UDZ, GRENADE, STRKR-REL, ALL-WAY ACTING, SELF DEST  
UDZ-S, GRENADE, STRKR-REL, ALL-WAY ACTING, SELF DEST

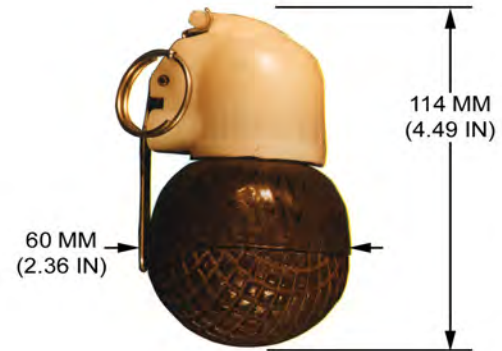


N.E.W. 114.00 G

---

## U.S.S.R. GRENADE, HAND, FRAG, RGO

Ordnance used with:  
UDZ, GRENADE, STRKR-REL, ALL-WAY ACTING, SELF DEST  
UDZ-S, GRENADE, STRKR-REL, ALL-WAY ACTING, SELF DEST



N.E.W. 92.00 G

---

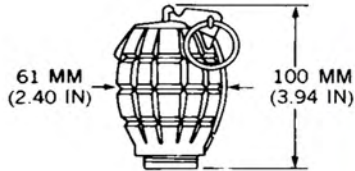




## YUGOSLAV GRENADES, RIFLE, HEAT, M60; AND PRACTICE, M68

Ordnance used with:  
 DI-M60, BD, GRENADE, RIFLE  
 DIM60, BD, GRENADE, RIFLE  
 UNDESIGNATED, GRENADE, BD

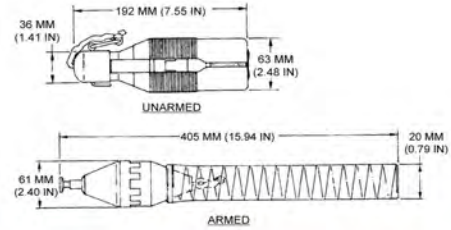
N.E.W. 246.00 G



## U.K./PAKISTANI GRENADE, HAND, APERS, FRAG, NO. 36M, MK 1

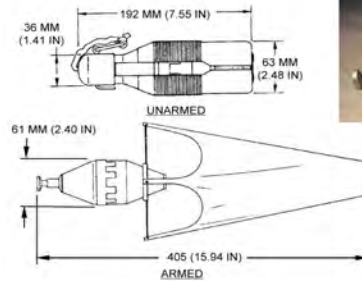
N.E.W. 73.00 G

## EGYPTIAN GRENADE, HAND, HEAT, TYPE 1 (HOSAM)

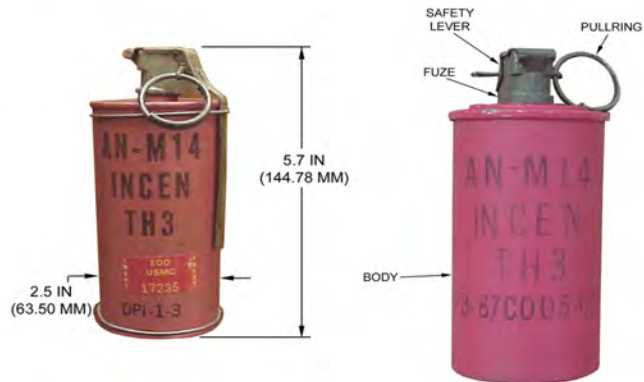


N.E.W. 181.00 G

## EGYPTIAN GRENADE, HAND, HEAT, TYPE 2 (HOSAM)



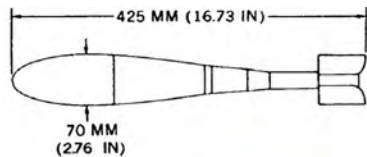
N.E.W. 143.00 G



## U.S. GRENADE, HAND, INCENDIARY, AN-M14

Ordnance used with:  
 M201A1E2, GRENADE, STRIKER-RELEASE  
 M201A1, GRENADE, STRIKER-RELEASE  
 AN-M14, HAND, BODY, INCENDIARY

N.E.W. 0.48 G

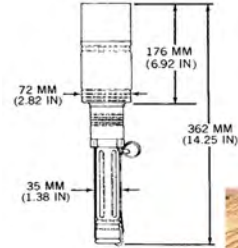


## SWISS GRENADE, RIFLE, HEAT, P-70-F



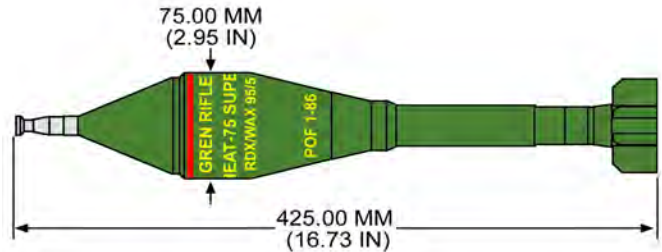
N.E.W. 270.00 G

## U.S.S.R. GRENADES, HAND, HEAT, RKG-3, RKG-3M & RKG-3T



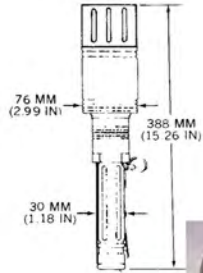
N.E.W. 604.00 G

## PAKISTANI GRENADE, RIFLE, HEAT, P2 MK 1





**UNKNOWN COUNTRY GRENADE, HAND, TRAINING, MODEL UNKNOWN**

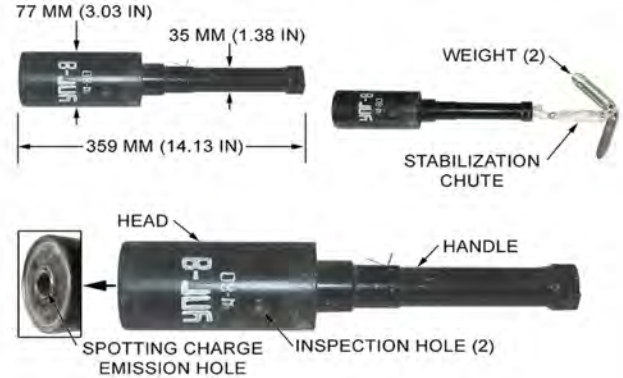


**U.S.S.R. GRENADE, HAND, HEAT, RKG-3EM**



N.E.W. 434.00 G

## U.S.S.R. GRENADE, PRACTICE, HAND, UPG-8



## U.S.S.R. GRENADE, PROJECTED, 80-MM, SMOKE, 3D6

Ordnance used with:

T-90, MAIN BATTLE TANK

T-80UD, MAIN BATTLE TANK

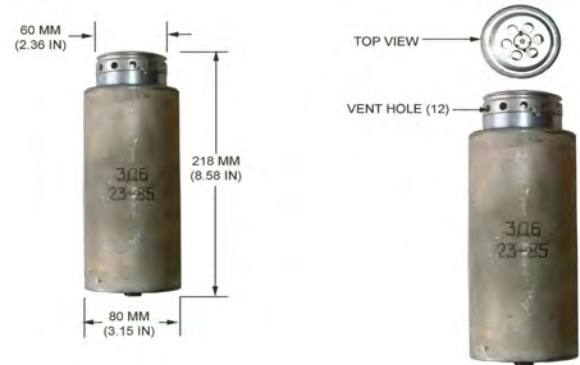
T-84, MAIN BATTLE TANK

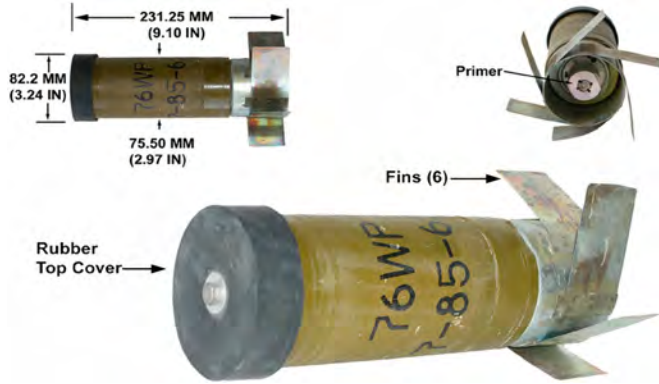
BMP-1P, INFANTRY FIGHTING VEHICLE

BMP-2, INFANTRY FIGHTING VEHICLE

BMP-3 ICV, INFANTRY FIGHTING VEHICLE

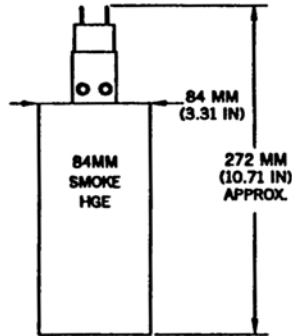
BMD-3 ACV, ARMORED CAVALRY VEHICLE





**UNKNOWN COUNTRY GRENADE, 76-MM,  
DISCHARGER, SMOKE (WP), 76WP**

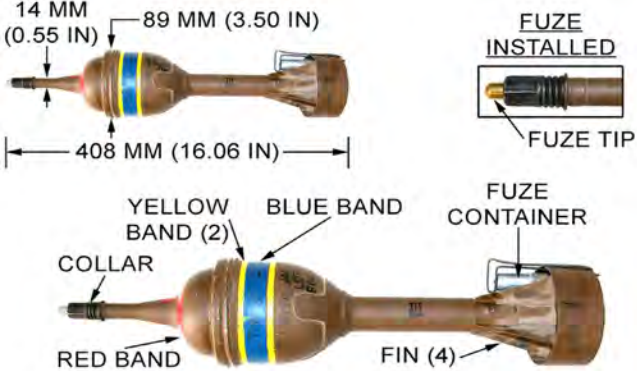
N.E.W. 14.00 G



**IRAQI GRENADE, PROJECTED, 84-MM, SMOKE,  
MODEL UNKNOWN**

**U.K. GRENADE, 89-MM, HEAT, SPIGOT, MK IV (PIAT)**

Ordnance used with:  
NO. 426 MK 1, GRENADE, PD



N.E.W. 452.73 G



## **BELGIAN PROJECTILE FUZE, BD, NR 2 490**

Ordnance used with:

NR 503, 90-MM, HESH

NR 445, 90-MM, HESH

NR 503 A3, 90MM, CARTRIDGE, HEP-T

NR 503, 90-MM, CARTRIDGE, HESH

NR 445, 90-MM, CARTRIDGE, HESH

NR 503 A3, 90MM, HEP-T

NR503 A3, 90MM, HEP-T



---

## **CHINESE PROJECTILE FUZE, MORTAR, PD, MP2A**





## CZECHOSLOVAKIAN PROJECTILE FUZE, PIBD, NZ-42

Ordnance used with:  
JPRSV, CARTRIDGE, 100-MM, HEAT  
PRSV, 100-MM, HEAT

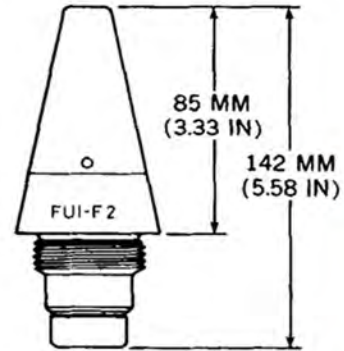


## EGYPTIAN GRENADE FUZE, STRIKER-RELEASE, MODEL UNKNOWN

Ordnance used with:  
KAHA NO.1, HAND, HE, FRAG  
NO.1, HAND, HE, FRAG  
TYPE 270/2, HAND, HE, FRAG

## FRENCH PROJECTILE FUZE, PD, FUI-F2

Ordnance used with:  
0E90F1, CARTRIDGE, 90-MM, HE  
90K MF-1, 90MM, WP  
MF-1, 90MM, WP  
OFUM PH90-F1, 90MM, WP  
OE 90 F1, 90-MM, HE-T  
OFUM-90-F2, 90MM, SMOKE, WP  
MF 1 HT, 90K



---

## ITALIAN ROCKET FUZE, PD, PDB 122

Ordnance used with:  
FIROS-25, 122-MM, HE  
FIROS-25, 122-MM, HE - FRAG

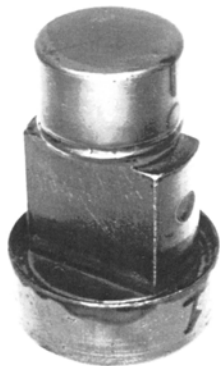


---

N.E.W. 3.33 G



**MODEL UNKNOWN, FIRING DEVICE, IMPROVISED,  
RADIO CONTROLLED, WOKEE**

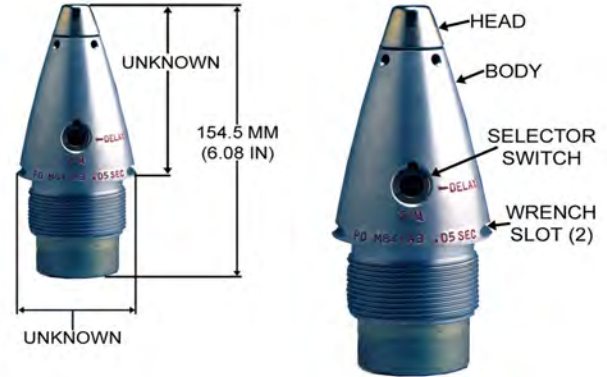


**NORTH KOREAN ROCKET FUZE, BDS, NRT-7B**

Ordnance used with:  
F7, 85 MM, HE-FRAG

## SOUTH AFRICAN PROJECTILE FUZE, PDSQ, M841A3

Ordnance used with:  
M1A2, 155-MM, HE, ERFB BB  
M1A1, 155-MM, PRACTICE, ERFB  
M1A2, 155-MM, ERFB, PRACTICE  
M1A4, 155-MM, HE, ERFB



## U.K. GRENADE FUZE, STRIKER-RELEASE, MODEL UNKNOWN

Ordnance used with:  
L84A1, HAND, SMOKE, RP

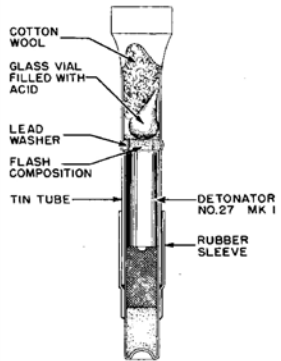


N.E.W. 3.00 G



## U.K. GRENADE FUZE, STRIKER-RELEASE, NO. 2 MK 1/1

Ordnance used with:  
NO 80 MK 1, HAND, SMOKE, WP  
NO. 75 MK 2, DETONATOR  
NO. 75 MK II, DETONATOR



## U.K. NO. 75 MK 2, DETONATOR

Ordnance used with:  
NO. 2 MK 1/1, GRENADE, STRIKER-RELEASE

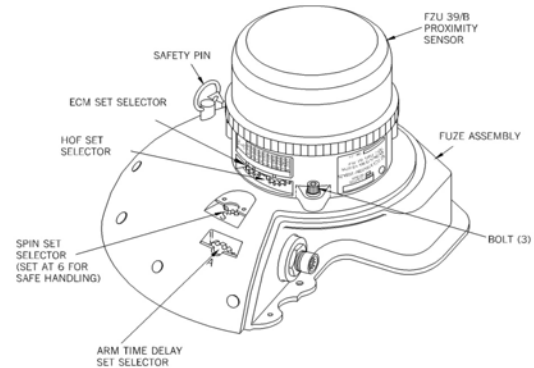
## U.K. PROJECTILE FUZE, PTT, NO. 390 MK 2A

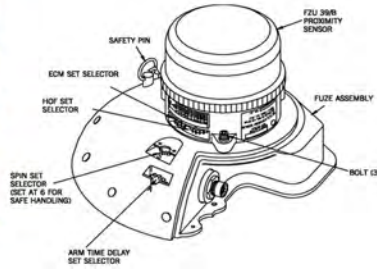
Ordnance used with:  
L32, CARTRIDGE, 76 MM, SMOKE  
SX-1057  
MK 4, 3-INCH, SMOKE, MORTAR



## U.S. DISPENSER FUZE, UNDESIGNATED, MT

Ordnance used with:  
SUU-64/B, DISPENSER  
SUU-65/B, DISPENSER  
SUU-66/B, DISPENSER  
CBU-87/B  
CBU-87A/B  
CBU-87B/B  
CBU-105/B (WCMD)  
N.E.W. 4.00 G





## U.S. DISPENSER, CBU, PROXIMITY SENSOR, FZU-39/B

Ordnance used with:  
SUU-64/B, DISPENSER  
SUU-65/B, DISPENSER  
SUU-66/B, DISPENSER  
CBU-87/B  
CBU-87A/B  
CBU-87B/B  
CBU-89/B

N.E.W. 5.00 G



## U.S.S.R. LANDMINE FUZE, PRESSURE, AT, MVZ-57

Ordnance used with:  
TM-57, AT

N.E.W. 2.00 G



## U.S.S.R. NAVAL MINE FUZE, TILTROD, STIKER RELEASE, VRM

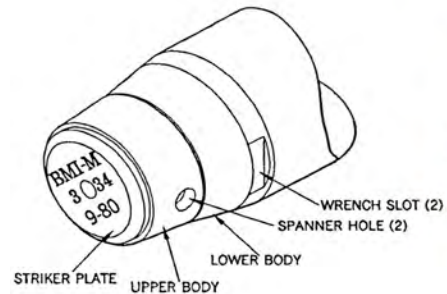
Ordnance used with:  
YARM, MOORED CONTACT, VSW



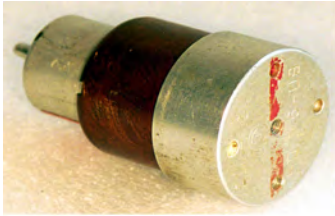
---

## U.S.S.R. PROJECTILE FUZE, PDSD, VMG-M

Ordnance used with:  
VOG-26, 30-MM, CARTRIDGE, FRAG  
VOG-25, 40MM, FRAG  
7P9M, CARTRIDGE, 30MM, FRAG  
VOG-17M, CARTRIDGE, 30MM, FRAG  
VOG-26, 30-MM, FRAGMENTATION  
7P9M, 30-MM, FRAGMENTATION



N.E.W. 1.00 G



### **U.S.S.R. PROJECTILE FUZE, PIBD, VP-9 (BASE DETONATING ELEMENT)**

Ordnance used with:  
PG-9S, 73-MM, HEAT-T  
PG-9, 73-MM, HEAT-T



### **U.S.S.R. ROCKET FUZE, PI, 9-K2-608 (V-5KP1)**

Ordnance used with:  
S-8KO, 80-MM, HEAT/FRAG, AIR-TO-SURFACE  
V-5KP1, ROCKET, PIBD, AIR-TO-SURFACE



## YUGOSLAV GRENADE FUZE, PD, UT, M70P1

Ordnance used with:

TTM, M60P1, 30MM, RIFLE, HE

M83, 63MM, RIFLE, RIOT-CONTROL, BURSTING, CS



N.E.W. 6.00 G

## YUGOSLAV PROJECTILE FUZE, PDSD, UTM57-SM

Ordnance used with:

M57, 20-MM, CARTRIDGE, HE-T

M57, 20-MM, CARTRIDGE, HE

M57, 20-MM, CARTRIDGE, HEI (20MM X 110MM)

TZ, M57, 20-MM

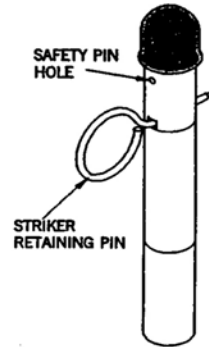
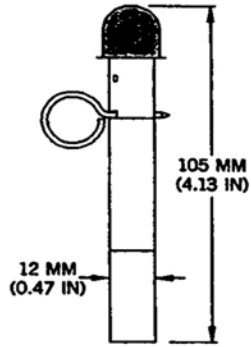
M57, 20 MM, HEI-T

TZO, M57

M62, 20-MM, CARTRIDGE, HEI T

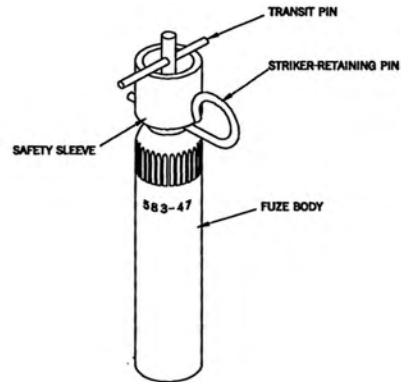
N.E.W. 2.50 G





## IRAQI FUZE, MINE, MODEL UNKNOWN

Ordnance used with:  
POMZ-2, APERS, STAKE  
POMZ-2M, APERS, STAKE



## U.S.S.R. LANDMINE FUZE, PULL, MUV

Ordnance used with:  
UNKNOWN, APERS, CYLINDRICAL  
MON-100, APERS, DIRECTIONAL  
MON-200, APERS, DIRECTIONAL  
MON-50, APERS, CLAYMORE  
MON-90, APERS, CLAYMORE

## U.K. GRENADE FUZE, PD, NO. 426 MK 1

Ordnance used with:  
MK IV, 89-MM, HEAT, SPIGOT (PIAT)  
PROJECTOR, INFANTRY, ANTI-TANK (PIAT)



## U.S.S.R. BOMB FUZE, DELAY ARMING MECHANISM, AK-4





### **U.S.S.R. BOMB, FUZE ARMING DELAY MECHANISM, MDV-2**

Ordnance used with:  
UNKNOWN, 100KG, HIGH-DRAG  
AM-A, BOMB, NOSE  
AM A B/V, BOMB, NOSE  
AM B, BOMB, NOSE

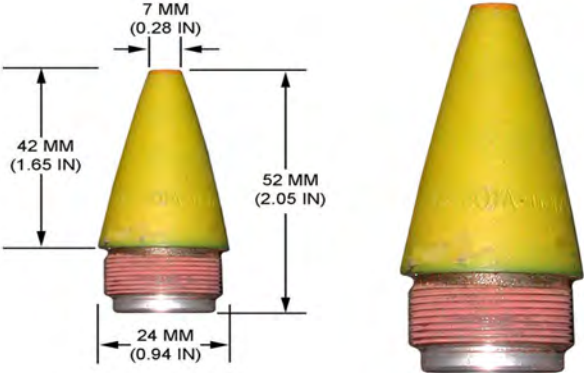


### **U.S.S.R., BULGARIAN, AND POLISH GRENADE FUZE, STRIKER-RELEASE, UZRGM**

Ordnance used with:  
F-1, HAND, FRAG  
TIP F-1, HAND, FRAG  
RG-42, HAND, FRAG  
RGD-5, HAND, FRAG  
RGO-78, HAND, FRAG  
RGZ-89, HAND, BLAST  
RGD-78, HAND, FRAG

**YUGOSLAV PROJECTILE FUZE, PDSD, UT M69 SM**

Ordnance used with:  
 M69, 30-MM, HE-T  
 M69, 30-MM, HE-T, CARTRIDGE  
 UNKNOWN, 30-MM, HE  
 UNKNOWN, CARTRIDGE, 30-MM, HE



**YUGOSLAV PROJECTILE FUZE, PD, UT M57**

Ordnance used with:  
 M57, 60-MM, HE, MORTAR

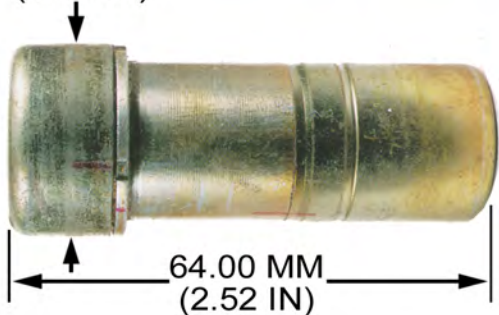




### U.S.S.R. GRENADE FUZE, STRIKER-RELEASE, PRACTICE, MODEL UNKNOWN

Ordnance used with:  
RGO-78IM, HAND, PRACTICE  
URG-N, HAND, PRACTICE  
URG, HAND, PRACTICE

29.00 MM  
(1.14 IN)



### U.S.S.R. GRENADE FUZE, PROJECTED, BDS, DK4

Ordnance used with:  
PG-2, 80MM, HEAT  
TYPE 56, 80MM, HEAT



## U.S.S.R. PROJECTILE FUZE, BD, MD-7

Ordnance used with:

BR-350, 76-MM, APHE-T

BR-350A, 76-MM, APHE-T

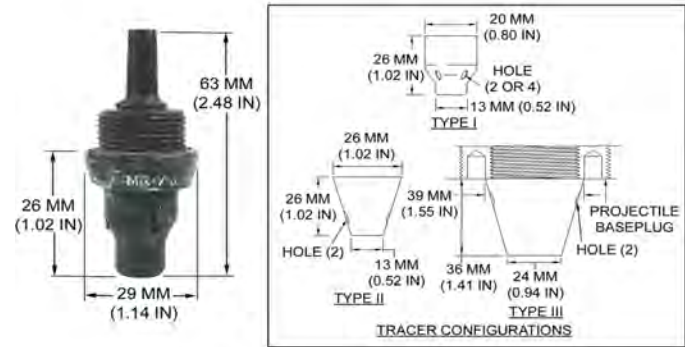
BR-350B, 76-MM, APHE-T

BR-540, 152-MM, APHE-T

BZR-271, 57-MM, APHEI-T

BZR-350B, 76-MM, APHEI-T

UB-243, CARTRIDGE, 45-MM, APHE

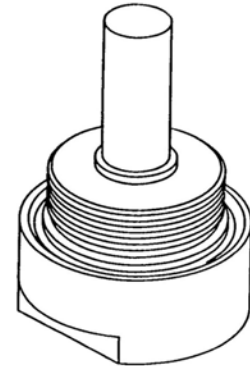
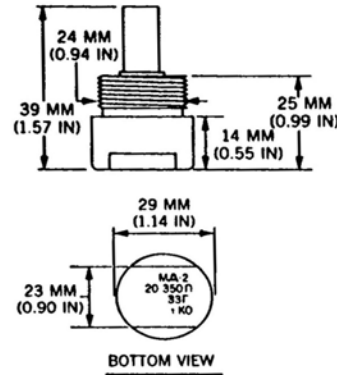


## U.S.S.R. PROJECTILE FUZES, BD, MD-1, MD-2, MD-3, & MD-4

Ordnance used with:

B-240, 45-MM, APHE

BZR-240, 45-MM, APHE-T





VANES  
REMOVED



### CHINESE BOMB FUZE, NOSE, HANG YIN 3

Ordnance used with:  
TYPE 1, BOMB, 5 KG, FRAG

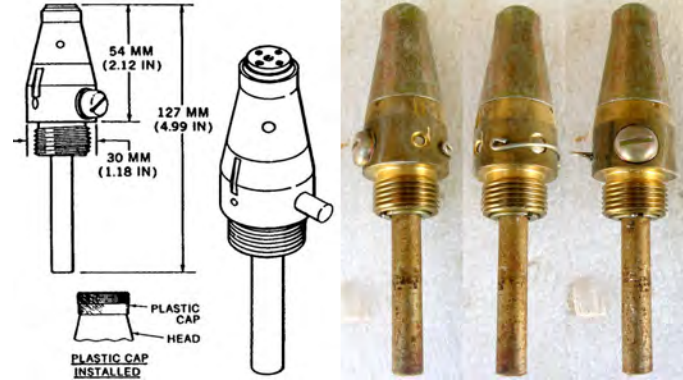


### CHINESE PROJECTILE FUZE, PDSD, ML-1

Ordnance used with:  
TYPE 55, 37 MM, HE-T  
TYPE 55, 37MM X 253RMM, CARTRIDGE, HE-T  
TYPE 55, CARTRIDGE, 37MM X 253R, HE

## FINNISH PROJECTILE FUZE, PD, SP-52

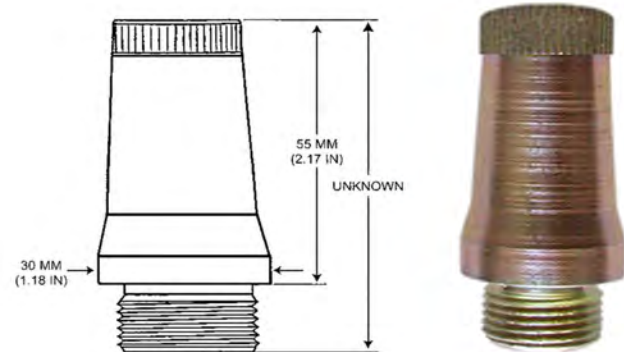
Ordnance used with:  
TAMPELLA, 160-MM, HE  
UNKNOWN, MORTAR, 60-MM, HE

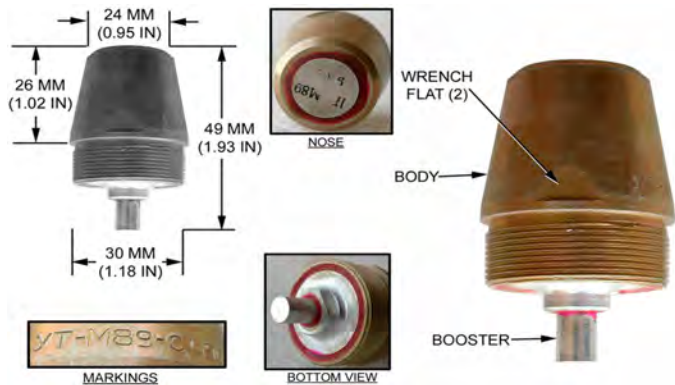


N.E.W. 8.00 G

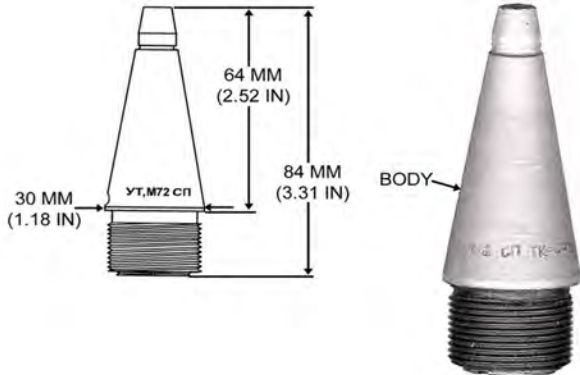
## YUGOSLAV PROJECTILE FUZE, PD, PRACTICE, MODEL UNKNOWN

Ordnance used with:  
M62, 82-MM, MORTAR, PRACTICE  
VTTM M66, 30MM, RIFLE, PRACTICE  
M62, 60-MM, PRACTICE, MORTAR  
M62, 24.4-MM, TRAINING, SUBCALIBER





**YUGOSLAV PROJECTILE FUZE, PD, UT-M89**

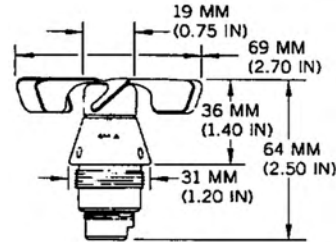


**YUGOSLAV PROJECTILE FUZE, PDSD, UT M72 SP**

Ordnance used with:  
M39, 37-MM, HE-T  
M39, 37-MM, CARTRIDGE, HE-T

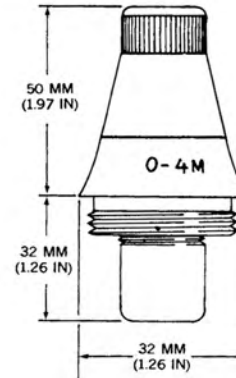
## U.S.S.R. BOMB FUZE, NOSE, AM-A

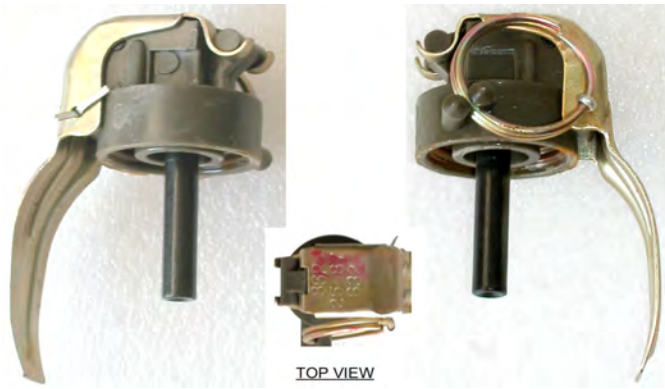
Ordnance used with:  
OFAB 100NV, BOMB, FRAG, 100 KG  
AO 1 SCH, BOMB, HE  
AO-1SCH  
AOKH-10, BOMB, FRAGMENTATION/CHEMICAL  
AOKH-8, BOMB, FRAGMENTATION/CHEMICAL  
KHAB-100, BOMB, CHEMICAL  
P 50 75, BOMB, PRACTICE  
N.E.W. 7.00 G



## BULGARIAN PROJECTILE FUZE, PD, MODEL O-4M

Ordnance used with:  
OG-7V, 40MM, CARTRIDGE, FRAG  
OG-7V, 40MM, HE  
OG-9, 73-MM, HE-FRAG  
OG-9BG, 73MM, HERA  
OG-9G  
OG-9M, PROJECTILE, 73MM, FRAGMENTATION  
OG-9B, 73MM, HE-FRAG

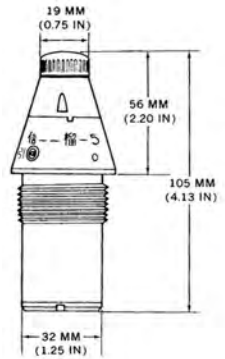




TOP VIEW

**CHINESE GRENADE FUZE, STRIKER-RELEASE, 86P**

Ordnance used with:  
77-1-S, HAND, FRAG  
86P, HAND, FRAG



**CHINESE PROJECTILE FUZE, PD, TYPE 3**

SHIPPING CAP

BOOSTER

## U.S. PROJECTILE FUZE, PD, M46

Ordnance used with:

2.95 INCH, CAST IRON SHELL, 12.5 LB

2.95 INCH, CAST IRON SHELL, 18 LB

2.95 INCH, SHRAPNEL

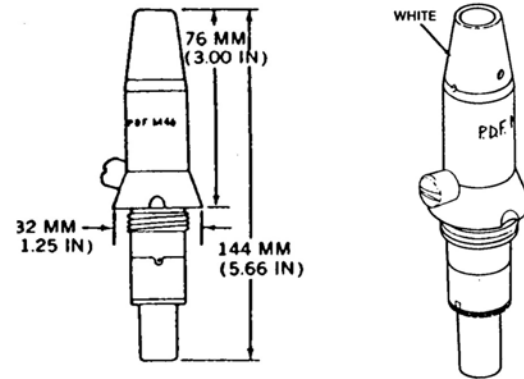
MK 2, PROJECTILE, CHEMICAL, 155-MM

MK II, PROJECTILE, CHEMICAL, 155-MM

MK 1, PROJECTILE, 2.95 INCH, HE

MK 1, PROJECTILE, 75 MM, HE

N.E.W. 3.00 G



## U.S.S.R. PROJECTILE FUZE, BD, MD-10

Ordnance used with:

BR-471B, 122-MM, APHE-T

UBR-271, CARTRIDGE, 57-MM, APHE-T

UBR-271K, 57-MM, CARTRIDGE, APHE-T

UBR-281, 57-MM, CARTRIDGE, APHE-T (57MM X 348MM)

UBR-281U, 57-MM, CARTRIDGE, APHE-T (57MM X 348MM)

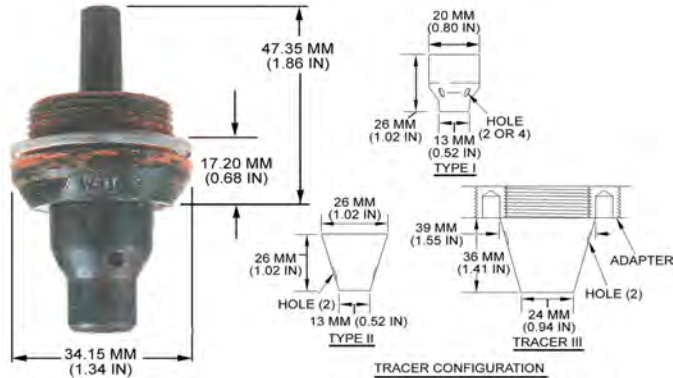
UBR-365, CARTRIDGE, 85-MM, APHE-T

UBR-365K, 85-MM, CARTRIDGE, APHE-T





**UNKNOWN COUNTRY BOMB FUZE, NOSE, IMPACT, AH-12A**



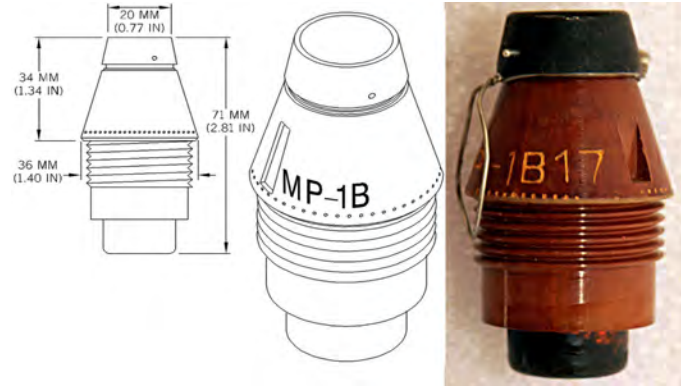
**U.S.S.R. PROJECTILE FUZE, BD, MD-8**

Ordnance used with:  
 TYPE 367, 85-MM, CARTRIDGE, APHE-T  
 UBR-367, 85-MM, CARTRIDGE, APHE-T  
 BR-367, 85-MM, APHE-T  
 TYPE 367, 85-MM, APHE-T  
 TYPE 376, 85-MM, APHE-T  
 BR-350, 76-MM, APHE-T  
 BR-350A, 76-MM, APHE-T



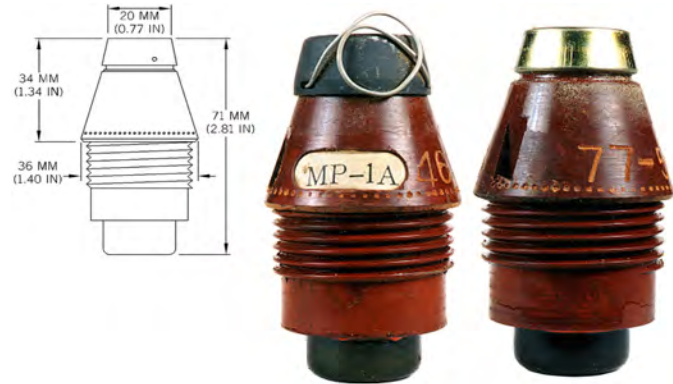
## CHINESE PROJECTILE FUZE, PD, MP-1B

Ordnance used with:  
TYPE 60-1, 60-MM, SMOKE WP  
TYPE 60-2, 60-MM, HE, MORTAR  
TH521, 82-MM, HE  
TYPE 53, 82-MM, HE  
TYPE 53, 82 MM, SMOKE, WP  
TYPE 63, 60 MM, HE  
UNKNOWN, 81 MM, MORTAR, HE, VARIANT  
N.E.W. 9.00 G

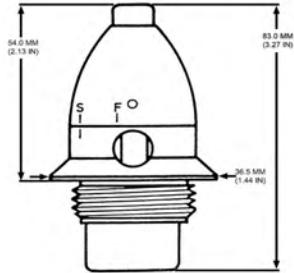


## CHINESE PROJECTILE FUZE, PD, MP1A

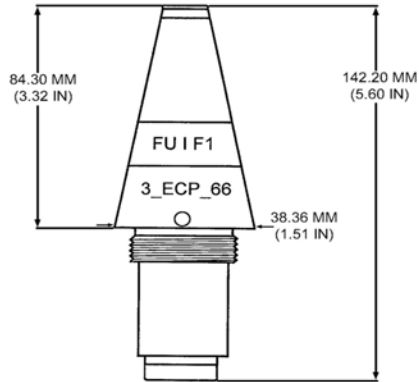
Ordnance used with:  
TYPE 60-1, 60-MM, SMOKE WP  
TYPE 60-2, 60-MM, HE, MORTAR  
TH521, 82-MM, HE  
TYPE 53, 82-MM, HE  
TYPE 53, 82 MM, SMOKE, WP  
TYPE 63, 60 MM, HE  
UNKNOWN, 81 MM, MORTAR, HE, VARIANT  
N.E.W. 9.00 G



## FRENCH PROJECTILE FUZE, PD, SC 14



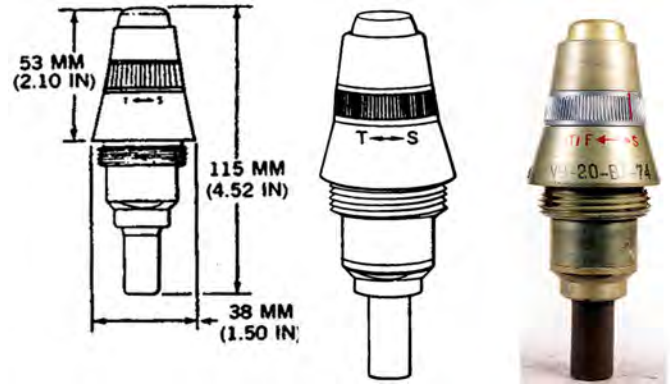
## FRENCH PROJECTILE FUZE, PD FUI F1



Ordnance used with:  
0E90F1, CARTRIDGE, 90-MM, HE  
OE 90 F1, 90-MM, HE-T  
1962, 90 MM, HE, GUN  
F1, 90 MM, HE  
M71, PROJECTILE, 90 MM, HE  
MF 1 HT, 90K  
MF 1, PROJECTILE, 90 MM, HE

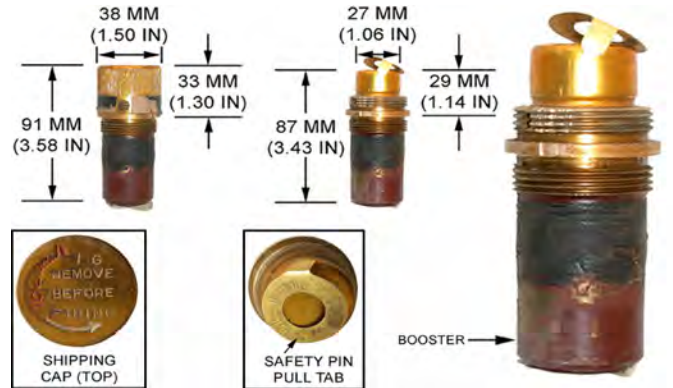
## FRENCH PROJECTILE FUZE, PD, V9

Ordnance used with:  
 61MP, 60-MM, MORTAR, HE  
 60LP, 60MM, HE, MORTAR, LONG RANGE  
 LONG RANGE (LP), 60MM, HE, MORTAR  
 LPEC, 60MM, HE, MORTAR, LONG RANGE  
 MK 61, 60-MM, HE-MARKER  
 ML61AT, 60-MM, MORTAR, HE  
 MK 61, 60-MM, HE

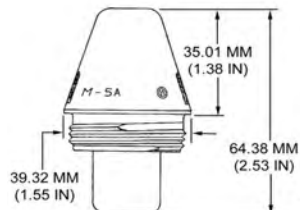


## U.K. PROJECTILE FUZE, PD, NO. 162 MK 2/1

Ordnance used with:  
 MK 3, 3-INCH, HE, MORTAR  
 MK III, 3-INCH, HE, MORTAR



N.E.W. 36.00 G



## BULGARIAN PROJECTILE FUZE, PD, M-5A

Ordnance used with:

O-832DU, 82-MM, FRAG  
 O-832D, 82-MM, MORTAR, FRAG  
 D-832, 82-MM, MORTAR, SMOKE, WP  
 D-832DU, 82-MM, MORTAR, SMOKE, WP  
 OF-843, 120-MM, MORTAR, FRAG-HE  
 OF-843A, 120-MM, MORTAR, HE-FRAG  
 O-832, 82-MM, FRAG

N.E.W. 21.10 G



## CHINESE PROJECTILE FUZE, PD, MM-6

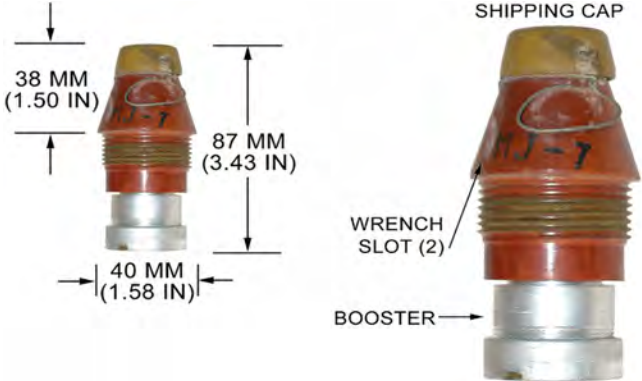
Ordnance used with:

UNKNOWN, 82 MM, MORTAR, HE  
 SAEGHEH, 40MM, HE  
 TYPE 42-832, 82MM, HE, MORTAR  
 SAEGHEH, CARTRIDGE, 40MM, HE

N.E.W. 7.97 G

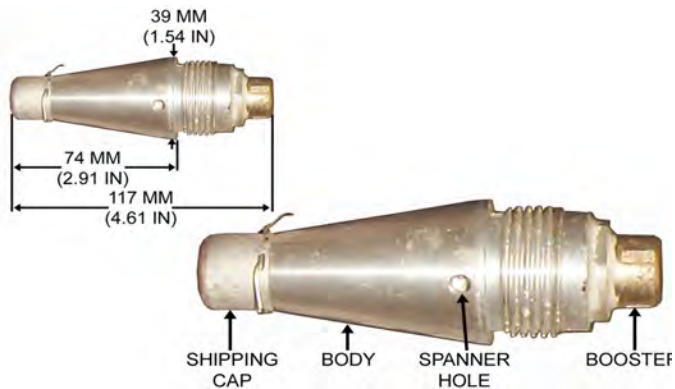
**CHINESE ROCKET FUZE, PI, MJ-7**

Ordnance used with:  
 DZGI-40, 75MM, APERS, BOUNDING  
 TYPE 69, 75 MM, APERS, BOUNDING



**FRENCH PROJECTILE FUZE, PD, V-9 TL**





## YUGOSLAV PROJECTILE FUZE, PD, UB2M

Ordnance used with:

- 346-E, 73 MM, HE (TEARDROP)
- OG-9, 73 MM, HE (TEARDROP)
- OG-9/F, 73-MM, HE (TEARDROP)
- 346-E, 73-MM, CARTRIDGE, HE (TEARDROP)
- OG-9, 73-MM, CARTRIDGE, HE (TEARDROP)
- OG-9/F, 73-MM, CARTRIDGE, HE (TEARDROP)
- OG-9/O, 73MM, CARTRIDGE, HE



## BULGARIAN PROJECTILE FUZE, PD, M-6

Ordnance used with:

- O-832DU, 82-MM, FRAG
- UO-832DU, 82-MM, CARTRIDGE, HE

N.E.W. 8.00 G

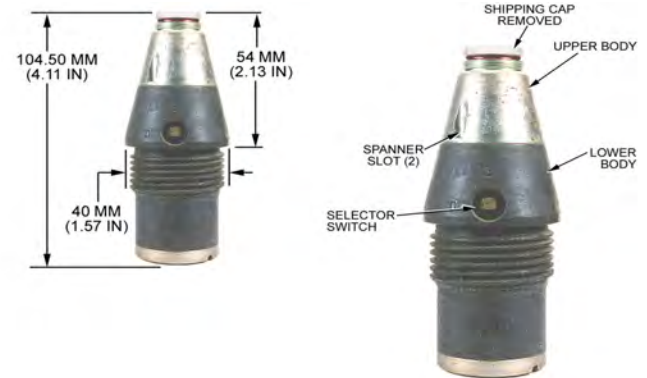
## BULGARIAN PROJECTILE FUZE, PD, RGM-2

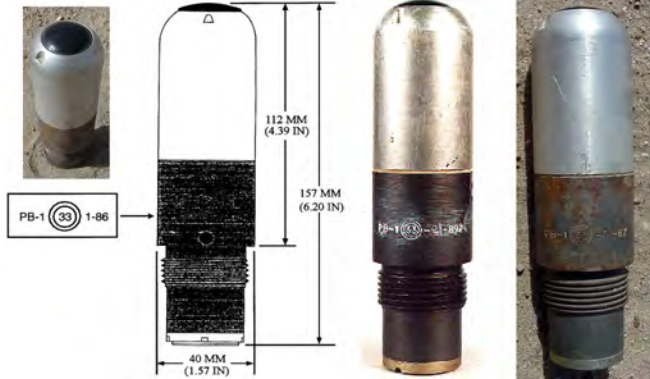
Ordnance used with:  
FE-462, 122 MM, HE, FRAG  
FE-462, 122MM, HE



## BULGARIAN PROJECTILE FUZE, PDSQ, OFZ-2M

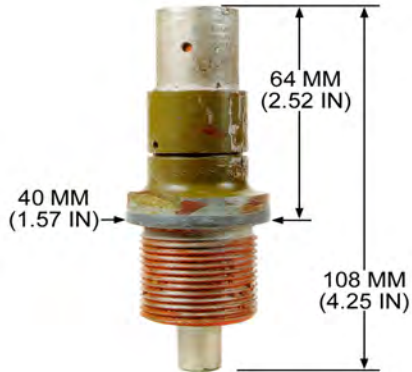
Ordnance used with:  
VOF-843B, 120-MM, HE, MORTAR





**BULGARIAN PROJECTILE FUZE, PROXIMITY, RV-1**

N.E.W. 13.27 G



**CHINESE PROJECTILE FUZE, BD, TYPE 2**



## CHINESE PROJECTILE FUZE, PD, M-12

Ordnance used with:  
TYPE 843, 120-MM, HE  
TYPE 843B, 120 MM, HE  
TYPE 55, 120-MM, HE  
TYPE 71, 100MM, HE, MORTAR  
TYPE 55, 120MM, CARTRIDGE, HE, MORTAR

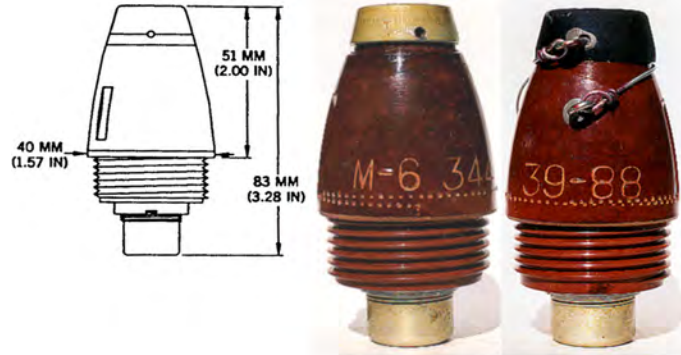
N.E.W. 30.00 G

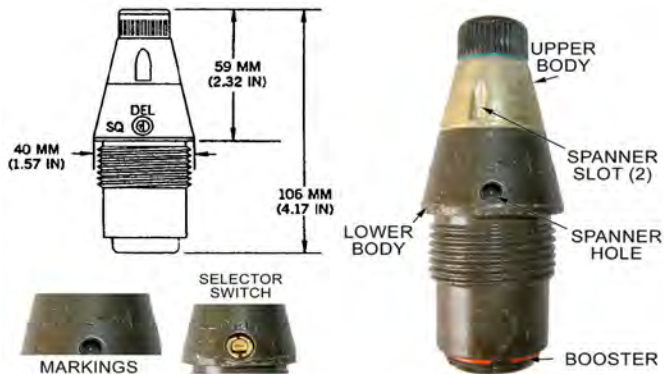


## CHINESE PROJECTILE FUZE, PD, M-6

Ordnance used with:  
TYPE 53, 82 MM, SMOKE, WP  
UNKNOWN, 75 MM, HE  
UNKNOWN, 82 MM, MORTAR, HE  
MODEL UNKNOWN, 60MM, MORTAR, HE  
OG-7, 40MM, FRAG

N.E.W. 8.00 G





### CHINESE PROJECTILE FUZE, PD, ML-4

Ordnance used with:  
 ERFB NUB, 130MM, HE  
 TYPE 54, 122-MM, HE  
 TYPE 66, 152 MM, HE

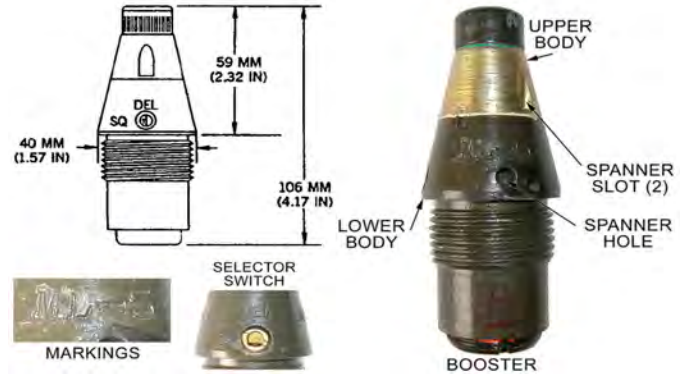


### CHINESE PROJECTILE FUZE, PD, ML-4A

Ordnance used with:  
 TYPE 54, 122-MM, HE  
 TYPE 83, 122-MM, HE-FRAG, BB  
 TYPE 83, 122-MM, HE-FRAG

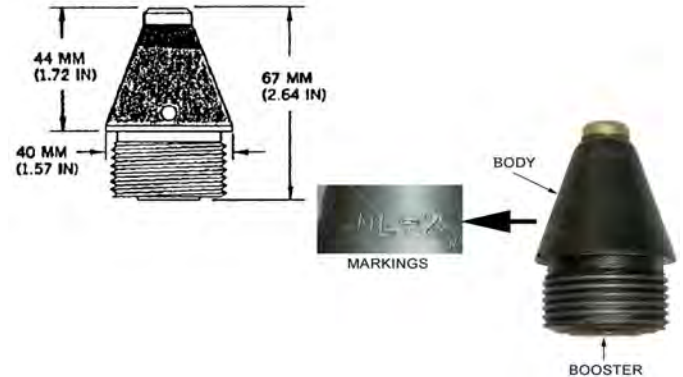
## CHINESE PROJECTILE FUZE, PD, ML-5

Ordnance used with:  
 ERFB BB, 130MM, HE  
 ERFB NUB, 130MM, HE  
 TYPE 54, 122-MM, HE  
 MODEL UNKNOWN, 100 MM, HE-FRAG  
 MODEL UNKNOWN, 130 MM, SMOKE, WP  
 TYPE 59, 130 MM, SMOKE  
 TYPE 66, 152 MM, HE



## CHINESE PROJECTILE FUZE, PD, MODEL ML-2

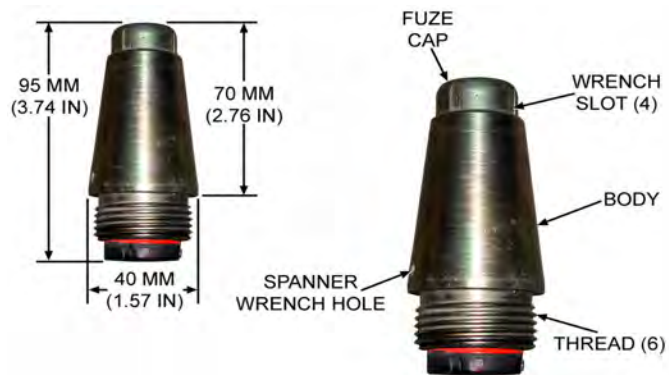
Ordnance used with:  
 UNKNOWN, 57 MM, HE  
 TYPE 59, 57MM, CARTRIDGE, HE  
 TYPE 59, 57MM, HE  
 UNKNOWN, CARTRIDGE, 57MM, HE





## CHINESE PROJECTILE FUZE, PD, MP-4

Ordnance used with:  
 F-843, 120-MM, MORTAR, HE  
 OF-843, 120-MM, MORTAR, FRAG-HE  
 OF-843A, 120-MM, MORTAR, HE-FRAG  
 3OF-843B, 120-MM, MORTAR, HE  
 OF-843B, 120-MM, MORTAR, HE  
 TYPE 55, 120-MM, HE  
 TYPE 71, 100MM, HE, MORTAR



## CHINESE PROJECTILE FUZE, PD, TYPE 2

Ordnance used with:  
 MODEL 64, 82-MM, HE-FRAG  
 TYPE 64, 82MM, HE-FRAG

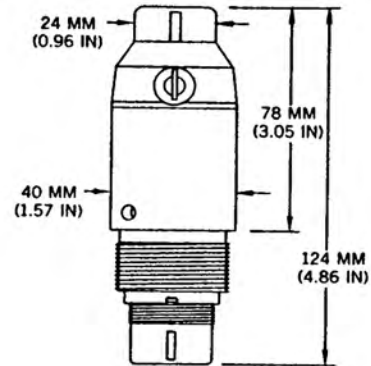
## CHINESE PROJECTILE FUZE, PD, TYPE 429

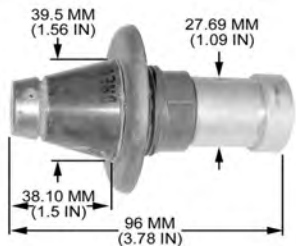


N.E.W. 12.00 G

## CHINESE ROCKET FUZE, PD, MJ-1

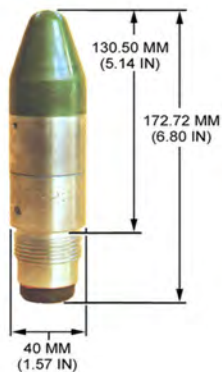
Ordnance used with:  
TYPE 63-2, 107MM, HE, GROUND  
TYPE 82, 130MM, HE  
TYPE 63, 130 MM, SP  
TYPE 82, 130 MM, HEI  
TYPE 63-1, WARHEAD, 107 MM, INCENDIARY  
TYPE 63-1, 107-MM, INCENDIARY, WP





## CHINESE ROCKET FUZE, PI, DREOI

Ordnance used with:  
DZGI-40, 75MM, APERS, BOUNDING  
TYPE 69, 75 MM, APERS, BOUNDING

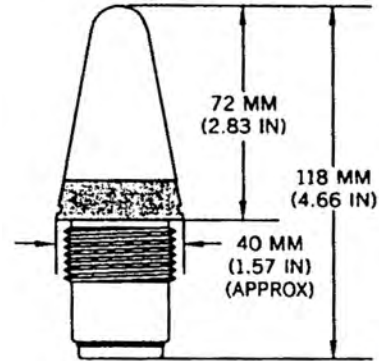


## CHINESE ROCKET FUZE, PROXIMITY, MD-21

Ordnance used with:  
TYPE 63, 107MM, SURFACE-TO-SURFACE, HE/FRAG  
TYPE 63-1, WARHEAD, 107 MM, INCENDIARY  
TYPE 63-1, 107-MM, INCENDIARY, WP

## FRENCH PROJECTILE FUZE, PROXIMITY, PF-122

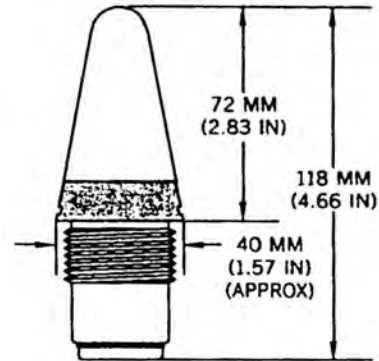
Ordnance used with:  
OF-56, 122-MM, HE  
OF-56-1, 122-MM, HE  
462J, 122-MM, HE  
OF-462, 122-MM, HE (WITHOUT ADAPTER)



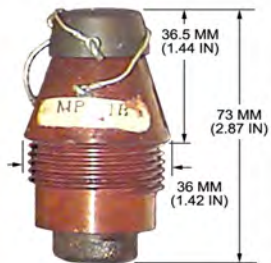
N.E.W. 11.13 G

## FRENCH PROJECTILE FUZE, PROXIMITY/PD, PF-130

Ordnance used with:  
462J, 122-MM, HE



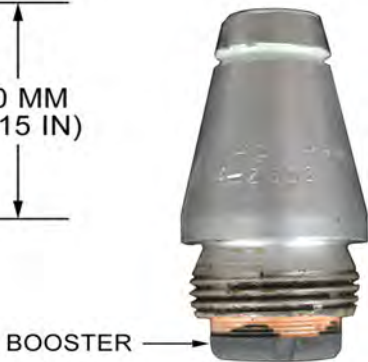
N.E.W. 11.13 G



## IRANIAN PROJECTILE FUZE, PD, MP-1B

Ordnance used with:  
 SAEGHEH, 40MM, HE  
 SAEGHEH, CARTRIDGE, 40MM, HE

N.E.W. 9.00 G



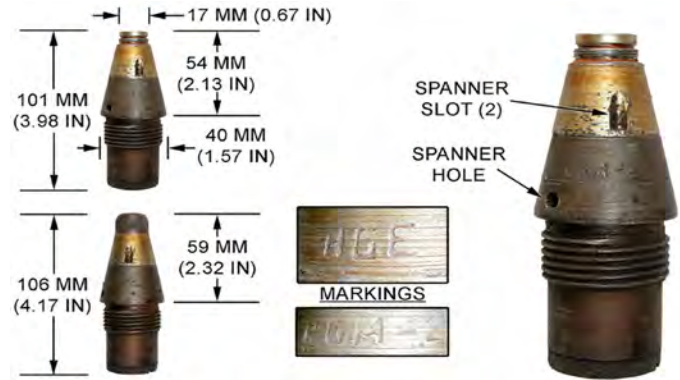
## IRAQI FUZE, PD, MODEL UNKNOWN (M6H)

Ordnance used with:  
 MODEL UNKNOWN, 82-MM, CARTRIDGE, MORTAR, HE  
 MODEL UNKNOWN, 82MM, MORTAR, HE

N.E.W. 12.00 G



## IRAQI PROJECTILE FUZE, PD, RGM-2



N.E.W. 14.00 G

## POLISH ROCKET FUZE, NOSE, PD, W-5K

WINDSHIELD  
MISSING

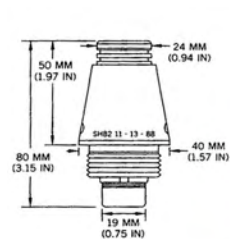




## ROMANIAN PROJECTILE FUZE, PIBD, GPV-2R

Ordnance used with:  
 HXG, 100-MM, HEAT-T  
 BK-354, 76MM, HEAT-T  
 BK412R, 100-MM, HEAT-T  
 BK-540R, 152 MM, HEAT

N.E.W. 4.00 G



## ROMANIAN PROJECTILE FUZE, PD, SH-82

Ordnance used with:  
 O-832DU, 82-MM, FRAG  
 O-832D, 82-MM, MORTAR, FRAG  
 D-832, 82-MM, MORTAR, SMOKE, WP  
 D-832DU, 82-MM, MORTAR, SMOKE, WP  
 O-832, PROJECTILE, 82MM, HE, MORTAR  
 UO-832D, 82-MM, CARTRIDGE, HE-FRAG  
 UO-832DU, 82-MM, CARTRIDGE, HE

N.E.W. 6.00 G

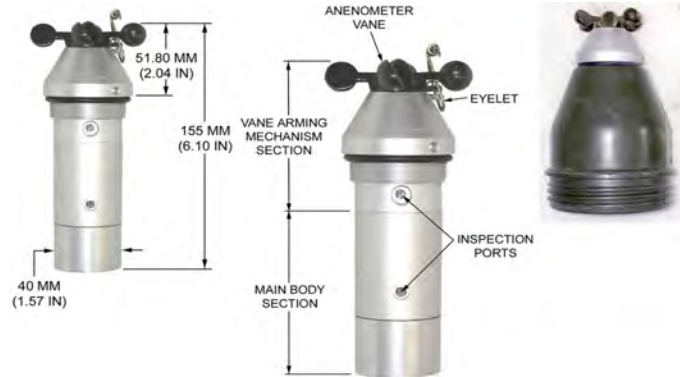
## SOUTH AFRICAN PROJECTILE FUZE, PROXIMITY/PD, MO 120

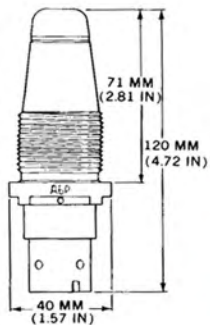


N.E.W. 21.83 G

## SPANISH BOMB FUZE, NOSE OR TAIL, IMPACT, EMBI

Ordnance used with:  
 BIN 100, BOMB, INCENDIARY  
 BIN 250, BOMB, INCENDIARY  
 BIN 375, BOMB, INCENDIARY  
 BIN 200, BOMB, INCENDIARY  
 MODEL UNKNOWN, IGNITER, FIRE BOMB, WP





## U.S.S.R. PROJECTILE FUZE, BD, DBR

Ordnance used with:  
 TYPE 367, 85-MM, CARTRIDGE, APHE-T  
 UBR-367, 85-MM, CARTRIDGE, APHE-T  
 BR-471B, 122-MM, APHE-T  
 BR-482B, 130-MM, APHE-T  
 BR-412B, 100-MM, APHE-T  
 UBR-412D, CARTRIDGE, 100-MM, APHE-T  
 VBR-472, 122-MM, CARTRIDGE, APC-T

N.E.W. 0.00 G



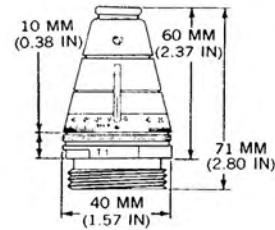
## U.S.S.R. PROJECTILE FUZE, DUMMY, GK-2

Ordnance used with:  
 PBK-881, 82-MM, CARTRIDGE, PRACTICE

## U.S.S.R. PROJECTILE FUZE, NOSE, (TSQ), T-1

Ordnance used with:  
KT-8, 82-MM, MORTAR, ILLUM  
O-365, 85-MM, PROJECTILE, HE, (2 PIECE)  
S-832S, 82-MM, ILLUM  
S-832SM, 82 MM, ILLUM  
S-843, 120-MM, MORTAR, ILLUMINATION  
MODEL UNKNOWN, 120-MM, INCENDIARY  
3D14, 120-MM, MORTAR, SMOKE

N.E.W. 9.00 G



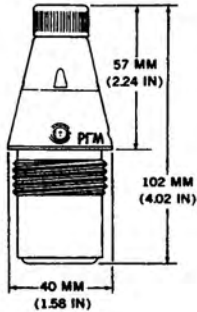
## U.S.S.R. PROJECTILE FUZE, PD, GO-2

Ordnance used with:  
OG-7V, 40MM, CARTRIDGE, FRAG  
OG-7V, 40MM, HE  
OG-9, 73-MM, HE-FRAG  
OG-9M, 73-MM, HE-FRAG  
OG-7VE, ROCKET PROPELLED, 85/40 MM, HE  
OFG-7, ROCKET PROPELLED, 57/40 MM, HE  
OG-9B, 73MM, HE-FRAG

N.E.W. 8.95 G



## U.S.S.R. PROJECTILE FUZE, PD, RGM



Ordnance used with:

EF-412

OF-412, 100-MM, FRAG-HE

HE-462, 122MM, HE-FRAG

OF-462, 122-MM, HE-FRAG

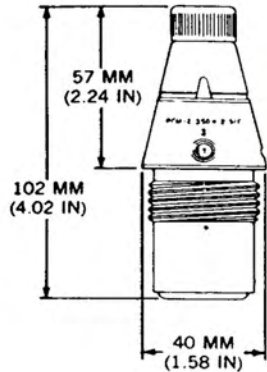
0-460A, 122-MM, FRAG

DTS-471, 122-MM, SMOKE

F-412, 100-MM, FRAG-HE

N.E.W. 16.00 G

## U.S.S.R. PROJECTILE FUZE, PD, RGM-2



Ordnance used with:

EF-412

OF-412, 100-MM, FRAG-HE

HE-462, 122MM, HE-FRAG

OF-462, 122-MM, HE-FRAG

0-460A, 122-MM, FRAG

MODEL UNKNOWN, 122-MM, CHEMICAL (NON-PERSISTANT)

D-4, 122-MM, SMOKE, WP

N.E.W. 16.00 G

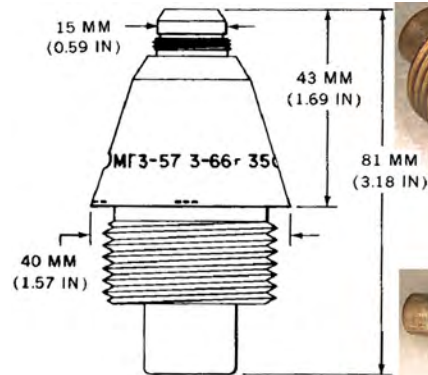
## U.S.S.R. PROJECTILE FUZE, PD, RGM-2M

Ordnance used with:  
HE-462, 122MM, HE-FRAG  
OF-462, 122-MM, HE-FRAG  
OF25, 152-MM, FRAG-HE  
OF-56, 122-MM, HE  
OF-56-1, 122-MM, HE  
M79 BB, 130MM, HE-BB

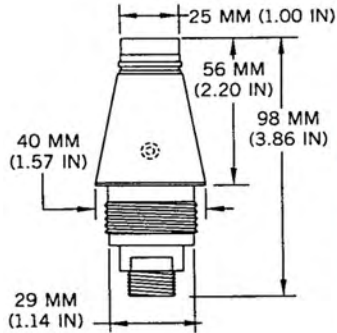


## U.S.S.R. PROJECTILE FUZE, PDSD, MGZ-57

Ordnance used with:  
OR-281, 57-MM, FRAG-T  
53-OR-281U  
OR-281U, 57-MM, FRAG-T  
UOR-281U, 57 MM, FRAG-T

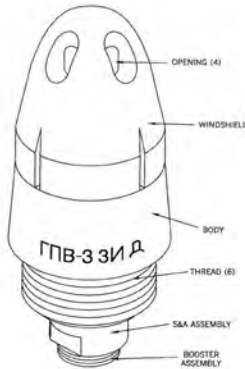
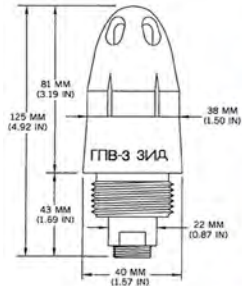


## U.S.S.R. PROJECTILE FUZE, PIBD, GPV-2



Ordnance used with:  
 BK-2M, 85-MM, HEAT-FS  
 BK-354M, 76-MM, HEAT-FS  
 BK-4M, 115-MM, HEAT-FS  
 BK-6M, 122-MM, HEAT-FS  
 BK463UM, 122-MM, HEAT-FS  
 UBK-4M, CARTRIDGE, 100-MM, HEAT-FS  
 HXG, 100-MM, HEAT-T  
 N.E.W. 5.00 G

## U.S.S.R. PROJECTILE FUZE, PIBD, GPV-3

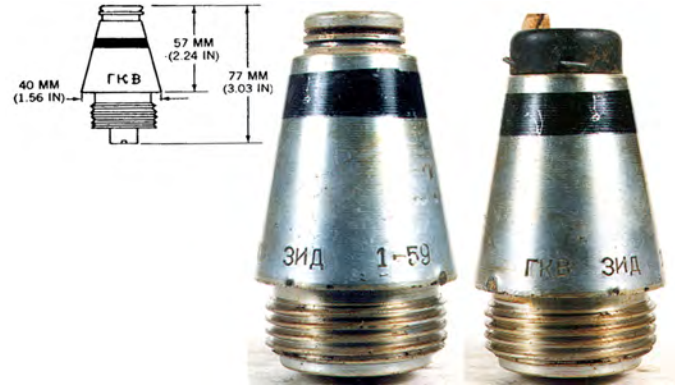


Ordnance used with:  
 BP-540, 152-MM, HEAT-T  
 BK-3, 100-MM, HEAT-FS-T



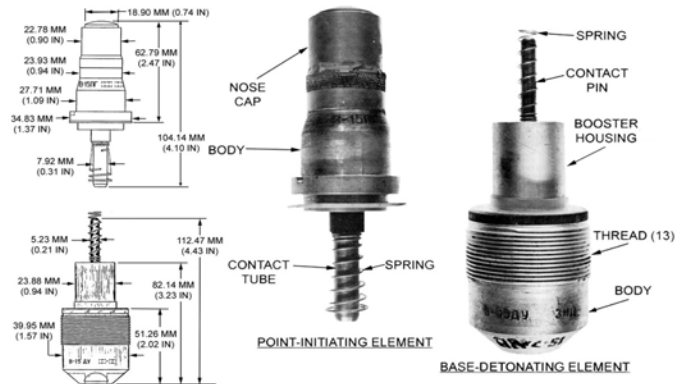
## U.S.S.R. PROJECTILE FUZE, PIBD, MODEL GKV

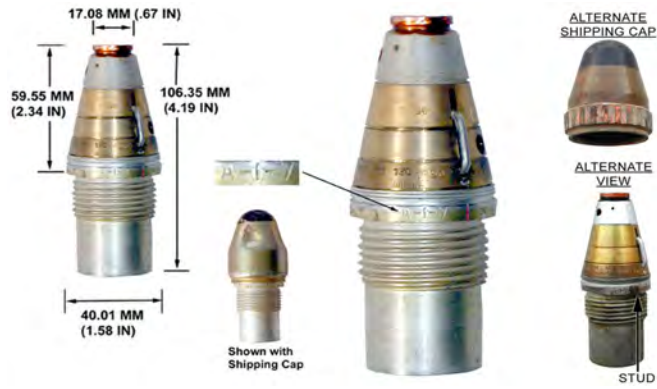
Ordnance used with:  
 BP-463, 122-MM, HEAT  
 BP-540, 152-MM, HEAT-T



## U.S.S.R. PROJECTILE FUZE, PIBD, V-15

Ordnance used with:  
 3BK-13, 122-MM, HEAT-FS-T  
 BK-13, 122-MM, HEAT-FS-T  
 BK13, 122-MM, HEAT-FS-T  
 BK-14M, 125-MM, HEAT-T  
 3UBK7, CARTRIDGE, 115-MM, HEAT-FS  
 UBK-7, CARTRIDGE, 115-MM, HEAT-FS  
 MODEL UNKNOWN, 122-MM, HEAT-FS

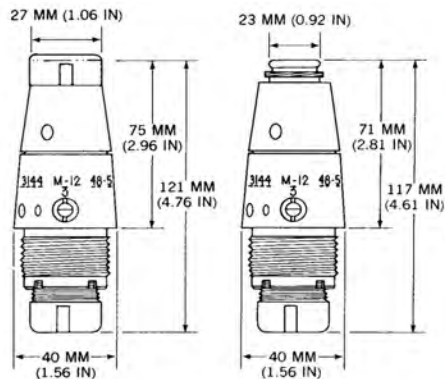




## U.S.S.R. PROJECTILE FUZE, TSQ, D-1-U

Ordnance used with:  
 OF-18, 115-MM, HE-FRAG  
 OF-540, 152-MM, FRAG-HE  
 OF540, 152-MM, FRAG-HE  
 OF-56, 122-MM, HE  
 OF-56-1, 122-MM, HE  
 TF-462, 122-MM, HE  
 462J, 122-MM, HE

N.E.W. 17.00 G



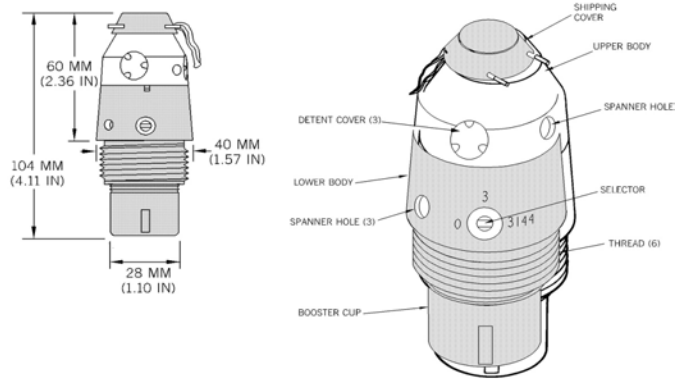
## U.S.S.R. PROJECTILE FUZES, PD, M12 & V-22

Ordnance used with:  
 3100/843  
 MODEL 3100-843, 120-MM, SMOKE WP  
 D-5, 120-MM, MORTAR, SMOKE (WP)  
 F-843, 120-MM, MORTAR, HE  
 OF-843, 120-MM, MORTAR, FRAG-HE  
 OF-843A, 120-MM, MORTAR, HE-FRAG  
 3OF-843B, 120-MM, MORTAR, HE

N.E.W. 28.00 G

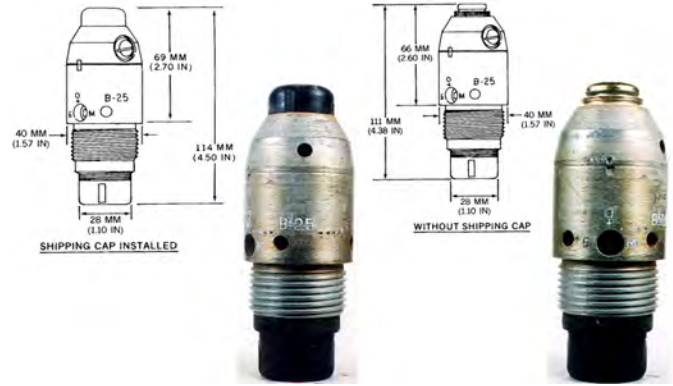
## U.S.S.R. ROCKET FUZE, NOSE, PD, V-24

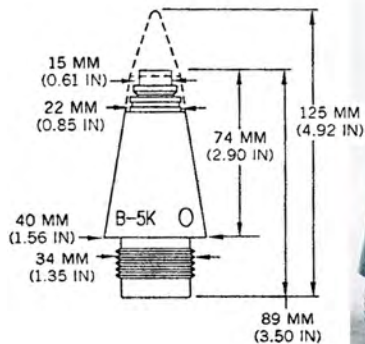
Ordnance used with:  
 F-961, 240 MM, SPIN STABILIZED, HE, SURFACE-TO-SURFACE  
 F-961U, 240 MM, SPIN STABILIZED, HE, SURFACE-TO-SURFACE  
 MDL UNK, WARHEAD, 140 MM, CHEMICAL, NON-PERSISTANT  
 MODEL UNKNOWN, 240 MM, CHEMICAL, NON-PERSISTANT



## U.S.S.R. ROCKET FUZE, NOSE, PD, V-25

Ordnance used with:  
 F-961, 240 MM, SPIN STABILIZED, HE, SURFACE-TO-SURFACE  
 F-961U, 240 MM, SPIN STABILIZED, HE, SURFACE-TO-SURFACE  
 M-14-OF, 140 MM, HE-FRAG  
 MODEL UNKNOWN, WARHEAD, 140 MM, CHEMICAL, NON-PERSIST





## U.S.S.R. ROCKET FUZE, PD, V-5K

Ordnance used with:

- UB-16-57-U, 57-MM, LAUNCHER, ROCKET
- C-5K, 57-MM, HEAT, AIR-TO-SURFACE
- S-5K, 57-MM, HEAT, AIR-TO-SURFACE
- S-5KO, 57-MM, WARHEAD, HEAT-FRAG, AIR-TO-SURFACE
- S-5K1, 57-MM, HEAT, AIR-TO-SURFACE
- C-5MO, 57-MM, HE/FRAG, AIR-TO-SURFACE
- S-5MO, 57-MM, HE/FRAG, AIR-TO-SURFACE



## U.S.S.R. ROCKET FUZE, PD, V-8

Ordnance used with:

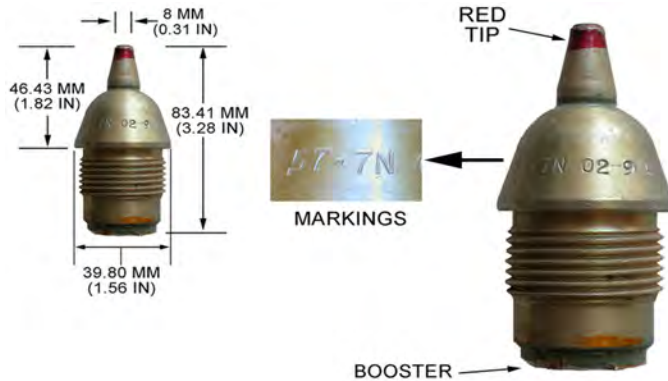
- S-8-OF, 80-MM, HE/FRAG, AIR-TO-SURFACE
- S-8-OF, WARHEAD, 80-MM, HE/FRAG, AIR-TO-SURFACE

**UNKNOWN COUNTRY PROJECTILE FUZE, PD,  
GWMZ-7**



**UNKNOWN COUNTRY PROJECTILE FUZE, PD,  
RGM2-7N**





## UNKNOWN COUNTRY PROJECTILE FUZE, PDSD, 57-7N

Ordnance used with:

53-OR-281U

OR-281U, 57-MM, FRAG-T

UOR-281U, 57 MM, FRAG-T

53-UOR-281U

UOR-281U, 57 MM, CARTRIDGE

UOR-281U, CARTRIDGE, 57MM X 348MM, FRAG-T

HGC, 57-MM, CARTRIDGE, HE

N.E.W. 14.00 G



## YUGOSLAV PROJECTILE FUZE, PD, AU-18P1

Ordnance used with:

M84, 152-MM, HE

462J, 122-MM, HE

M79, 130-MM, HE

HE-540, 152-MM, HE

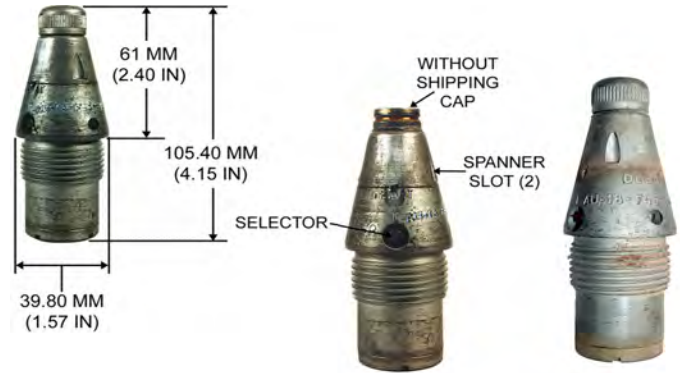
M78, 152-MM, HE

M95, 122-MM, HE

M95, 122-MM, HE, ERBB

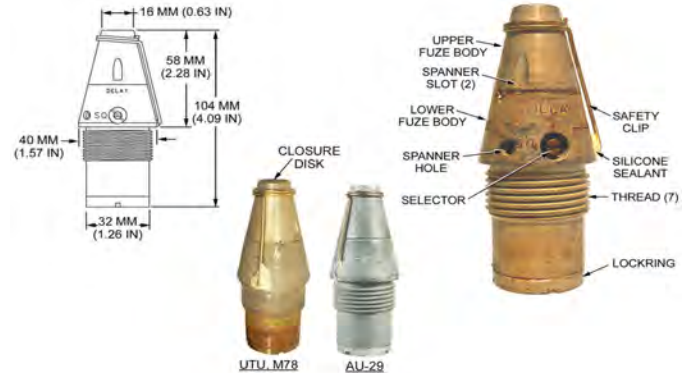
## YUGOSLAV PROJECTILE FUZE, PD, UTIU M71 (AU-18)

Ordnance used with:  
 H/38, 122MM, HE  
 H/38, CARTRIDGE, 122MM, HE



## YUGOSLAV PROJECTILE FUZE, PD, UTU, M78 / AU-29

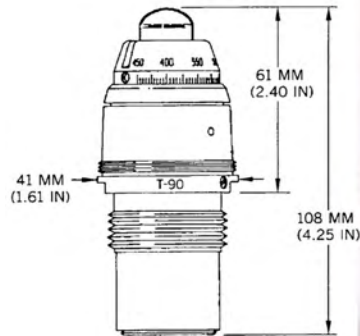
Ordnance used with:  
 M62P3, 120-MM, MORTAR, HE  
 M77, 120-MM, MORTAR, HERA  
 M62, 120-MM, HE, MORTAR  
 M95A, 120-MM, MORTAR, HE  
 M62P5, 120-MM, HE, MORTAR  
 M95A, 120-MM, MORTAR, CARTRIDGE, HE  
 M77, 120-MM, CARTRIDGE, MORTAR, HERA, FRAG  
 N.E.W. 10.00 G





## YUGOSLAV PROJECTILE FUZE, PIBD, UT-PE.M69

Ordnance used with:  
 M74, 90-MM, HEAT-T  
 M69, 100-MM, HEAT-T  
 M88, 100-MM, OBEL, HEAT  
 M88, 100-MM, CARTRIDGE, HEAT-T  
 M65, 100-MM, HEAT  
 M69, 100-MM, HEAT-T, CARTRIDGE  
 M74, 90-MM, HEAT-T, CARTRIDGE



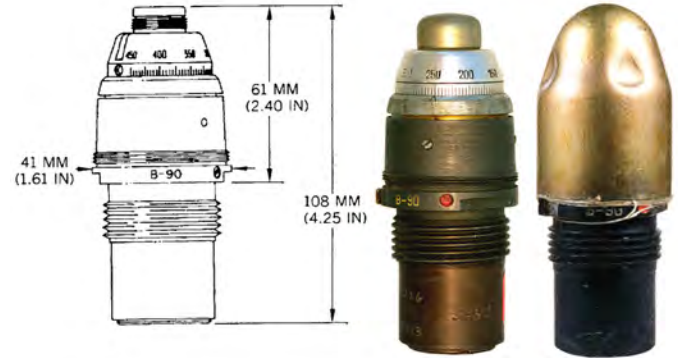
## U.S.S.R. PROJECTILE FUZE, MT, T-90

Ordnance used with:  
 OF25, 152-MM, FRAG-HE  
 S-463, 122-MM, ILLUM  
 S-463ZH, 122-MM, ILLUM  
 S-2, 130-MM, ILLUMINATION  
 S2, 130-MM, ILLUMINATION



## U.S.S.R. PROJECTILE FUZE, MTSQ, V-90

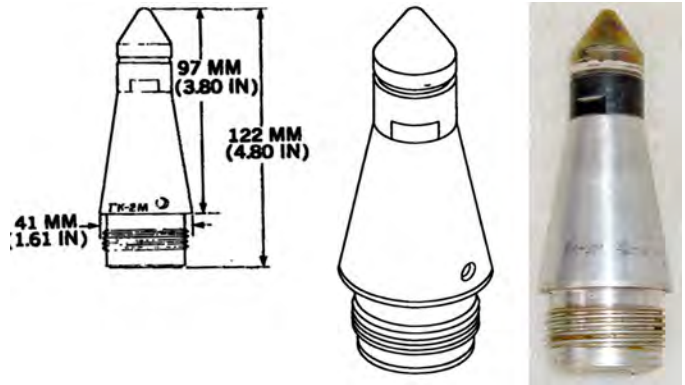
Ordnance used with:  
OF25, 152-MM, FRAG-HE  
OF-462, 122-MM, HE-FRAG  
OF-482M, 130-MM, FRAG-HE  
OF-530, 152-MM, FRAG-HE



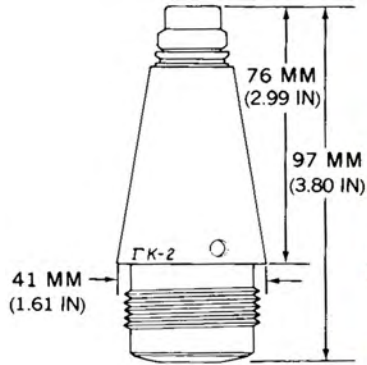
N.E.W. 16.00 G

## U.S.S.R. PROJECTILE FUZE, PD, GK-2M

Ordnance used with:  
BK-881, 82-MM, CARTRIDGE, HEAT  
BK-881M, 82-MM, CARTRIDGE, HEAT  
OG-82, 82 MM, FRAG-HE  
PG-82, 82 MM, HEAT



N.E.W. 2.00 G

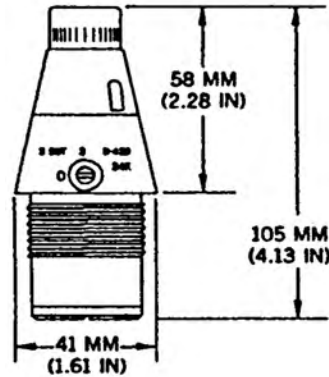


### U.S.S.R. PROJECTILE FUZE, PD, OR PIBD, GK-2



Ordnance used with:  
 O-881A, 82-MM, MORTAR, FRAG  
 BK-881, 82-MM, CARTRIDGE, HEAT  
 BK-881M, 82-MM, CARTRIDGE, HEAT  
 BK-883, 107-MM, HEAT-T  
 OF-883A, 107-MM, MORTAR, HE-FRAG  
 BK-883, CARTRIDGE, 107-MM  
 OG-82, 82 MM, FRAG-HE

N.E.W. 2.00 G



### U.S.S.R. PROJECTILE FUZES, PD, V-429 AND V-429E

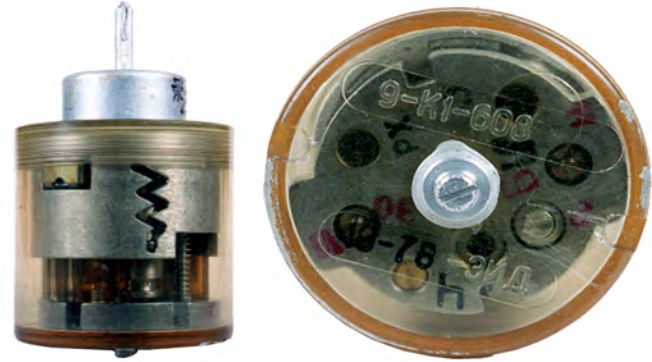


Ordnance used with:  
 EF-412  
 OF-412, 100-MM, FRAG-HE  
 BP-460A, 122-MM, HEAT  
 MODEL UNKNOWN, 122-MM, CHEMICAL (NON-PERSISTANT)  
 DTS-1, 130-MM, SMOKE, WP

N.E.W. 16.00 G

## U.S.S.R. ROCKET FUZE, BASE DETONATING ELEMENT, 9-K1-608

Ordnance used with:  
S-8K0M, 80-MM, HEAT/FRAG, AIR-TO-SURFACE  
S-8KO, 80-MM, HEAT/FRAG, AIR-TO-SURFACE  
V-5KP1, ROCKET, PIBD, AIR-TO-SURFACE



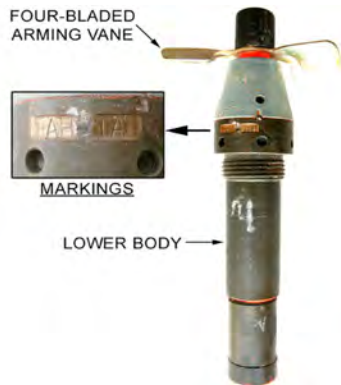
---

## U.S. LANDMINE FUZE, AP, COMBINATION, M605

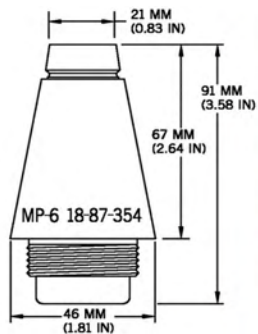
Ordnance used with:  
M16, APERS, BOUNDING  
M16A1, APERS, BOUNDING  
M16A2, APERS, BOUNDING  
XM54, APERS, WP  
M42, PERCUSSION PRIMER  
M42, STAB DETONATOR

N.E.W. 3.00 G





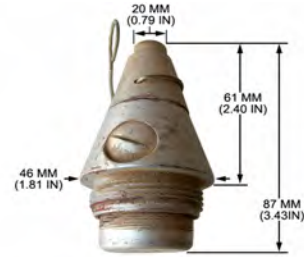
**U.S.S.R. BOMB FUZE, NOSE OR TAIL, AH-1A**



**CHINESE PROJECTILE FUZE, PD, MP-6**

N.E.W. 4.00 G

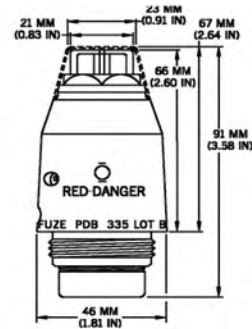
## IRAQI PROJECTILE FUZE, PD, UT,M68 P1



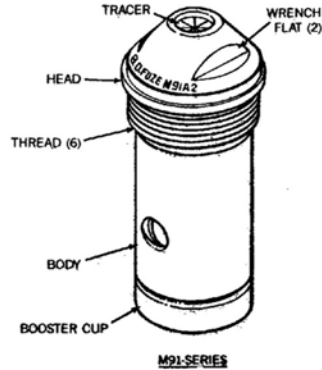
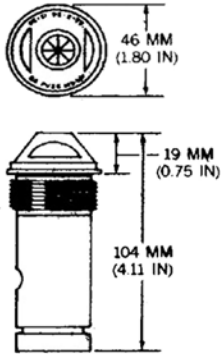
N.E.W. 11.00 G

## ITALIAN PROJECTILE FUZE, PD, PDB 335

Ordnance used with:  
UNKNOWN, 120MM, MORTAR, HE



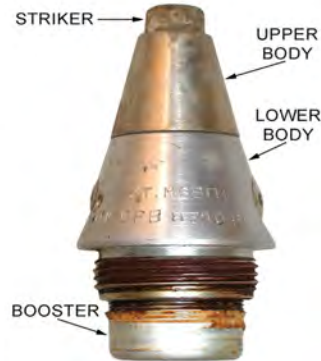
N.E.W. 20.00 G



## U.S. PROJECTILE FUZES, BD, M91, M91A1, & M91A2

Ordnance used with:  
 M327, 105-MM, HEP-T  
 T81E28, 105 MM, HEP-T  
 M346, 106-MM, CARTRIDGE, HEP-T  
 M346A1, 106-MM, PROJECTILE, HEP-T  
 M456, 105-MM, HEAT-T  
 M456A1, 105-MM, HEAT-T  
 M456E1, 105-MM, HEAT-T

N.E.W. 23.00 G



## YUGOSLAV PROJECTILE FUZE, PD, UT M68 P1

Ordnance used with:  
 M73, 60-MM, HE, MORTAR  
 TRM73, 60-MM, HE, MORTAR  
 M72, 81-MM, HE, MORTAR  
 M73, 60-MM, SMOKE, MORTAR  
 M62P3, 120-MM, MORTAR, HE  
 M74A1, 82-MM, MORTAR, HE  
 M74, 82MM, HE, MORTAR

N.E.W. 23.45 G

## YUGOSLAV PROJECTILE FUZE, PD, UT M70P1

Ordnance used with:

M73, 60-MM, SMOKE, MORTAR

M64P1, 120 MM, SMOKE WP, MORTAR

M74, 82MM, CARTRIDGE, SMOKE, WP, MORTAR

M64P1, CARTRIDGE, 120 MM, SMOKE, WP, MORTAR

M71, 81-MM, SMOKE, WP, MORTAR

M72, 81-MM, SMOKE, WP, MORTAR

M74, 82MM, SMOKE, WP, MORTAR

N.E.W. 6.72 G



## AUSTRIAN PROJECTILE FUZE, PD, PDM525

Ordnance used with:

NR431A1, 60MM, HE

HE 80, 60-MM, HE

NR431A1, 60MM, CARTRIDGE, HE

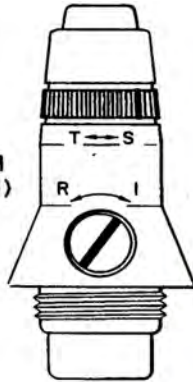
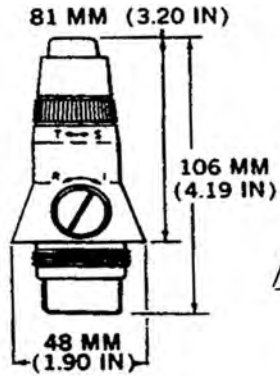
UNKNOWN, 60MM, MORTAR, HE

UNKNOWN, 60MM, CARTRIDGE, MORTAR, HE

HE 83 LD

HE 83, 82-MM, MORTAR, HE





## FRENCH PROJECTILE FUZE, PD, V-19-P

Ordnance used with:

- MK 82, PROJECTILE, 81-MM, HE
- M57D, 81-MM, MORTAR, HE
- M61, 81-MM, HE-MARKER
- ML 61, 81-MM, HE-MARKER
- MK 44, PROJECTILE, 120-MM, SMOKE, MORTAR
- MK 61, 60-MM, HE-MARKER
- MK 44, 120-MM, PRACTICE, MORTAR

N.E.W. 16.00 G



## PAKISTANI PROJECTILE FUZE, PD, V19PA

Ordnance used with:

- M57 DA-2, 81MM, MORTAR, HE
- M57 DA-2, 81-MM, CARTRIDGE, MORTAR, HE
- UNKNOWN, 81-MM, MORTAR, SMOKE, WP
- UNKNOWN, 81-MM, CARTRIDGE, MORTAR, SMOKE, WP
- M57, 81-MM, CARTRIDGE, MORTAR
- M57, 81-MM, MORTAR



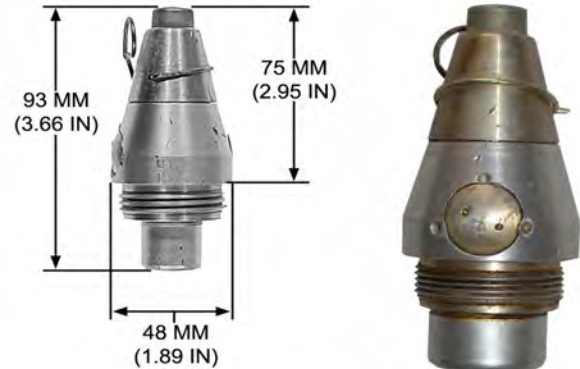
## SPANISH PROJECTILE FUZE, TIME, ECIA M-84

Ordnance used with:  
ESPIN-21, 120-MM, HEDP (ICM)  
M-832, 81-MM, ILLUM  
M-832, 81 MM, CARTRIDGE, ILLUM  
M-847  
M847, 120 MM, ILLUM, MORTAR

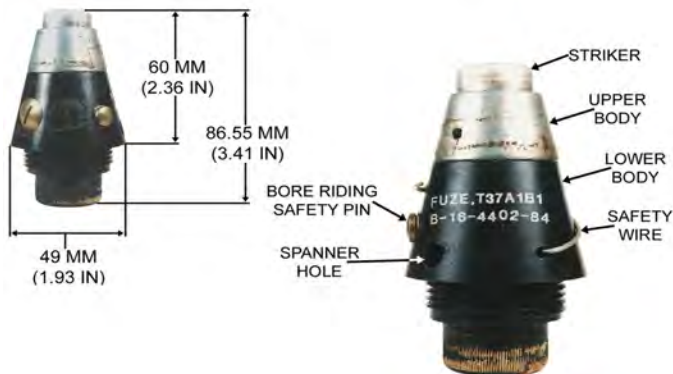


## YUGOSLAV PROJECTILE FUZE, PD, UT, M68

Ordnance used with:  
M68P1, 82-MM, MORTAR, HE  
M56P1, 120MM, MORTAR, HE



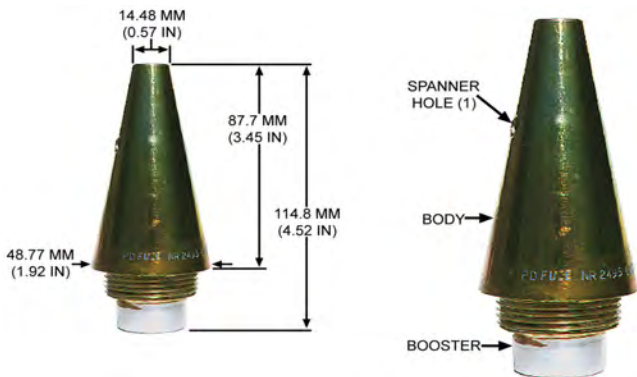
N.E.W. 12.00 G



## AUSTRIAN PROJECTILE FUZE, PD, T37A1B1

Ordnance used with:

HE 70, 81-MM, HE  
 HE 70LD, 81-MM, MORTAR, LONG DISTANCE, HE  
 HE 80, 60-MM, HE  
 HE 83 LD  
 HE 83, 82-MM, MORTAR, HE  
 HE83 LD, 82MM, HE  
 HE 80, 60-MM, CARTRIDGE, HE, MORTAR



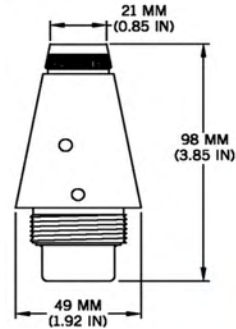
## BELGIAN PROJECTILE FUZE, PD, NR 2495

Ordnance used with:

NR 477, 90-MM, CARTRIDGE, HE  
 NR 501, 90-MM, CARTRIDGE, HE-T  
 M618, 90-MM, SMOKE, WP-T  
 NR 219A1, 90-MM, HE-FRAG-T  
 NR 501A2, 90MM, HE-T  
 NR 480, 90-MM, CARTRIDGE, SMOKE, WP-T  
 M618, 90-MM, CARTRIDGE, SMOKE, WP-T  
 N.E.W. 18.00 G

## CHINESE PROJECTILE FUZE, PD, MP-5B

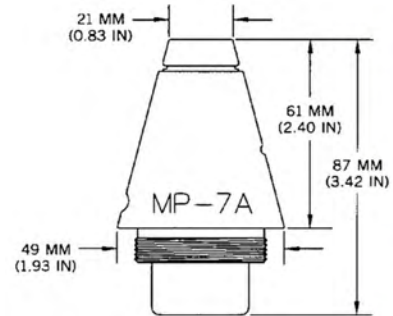
Ordnance used with:  
UNKNOWN, 81MM, MORTAR, HE



N.E.W. 5.00 G

## CHINESE PROJECTILE FUZE, PD, MP-7A

Ordnance used with:  
UNKNOWN, 120MM, MORTAR, HE

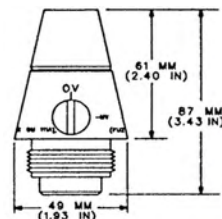


N.E.W. 17.00 G



## FINNISH PROJECTILE FUZE, PD, M-111

Ordnance used with:  
 M57, 120-MM, HE  
 M68, CARTRIDGE, 120-MM, SMOKE WP  
 M68, 120MM, SMOKE, WP



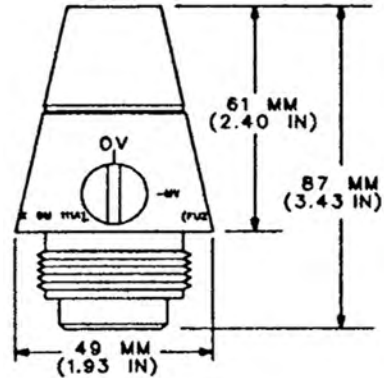
## GERMAN (FEDERAL REPUBLIC) PROJECTILE FUZE, PD, DM111A2, (AZ 111 A2), AZ DM 111A2

Ordnance used with:  
 NR431A1, 60MM, HE  
 BPD-IM1, 81-MM MORTAR, HE  
 NM123, 81-MM, HE  
 HE 70, 81-MM, HE  
 HE 70LD, 81-MM, MORTAR, LONG DISTANCE, HE  
 UNKNOWN, 60-MM, HE  
 64, 81-MM, HE  
 N.E.W. 15.00 G

## GERMAN (FEDERAL REPUBLIC) PROJECTILE FUZE, PD, DM111A4

Ordnance used with:  
C111, 60MM, CARTRIDGE, SMOKE, RP, MORTAR  
NM123, 81-MM, HE  
DM 11A4, CARTRIDGE, 120-MM, HE, MORTAR  
FP11A4, CARTRIDGE, 120-MM, HE, MORTAR  
DM 18A4, CARTRIDGE, 120-MM, TP-T  
DM 25A1, 120-MM, SMOKE FM  
DM 11, 81 MM, HE

N.E.W. 15.00 G



## IRANIAN PROJECTILE FUZE, PD, AZ111

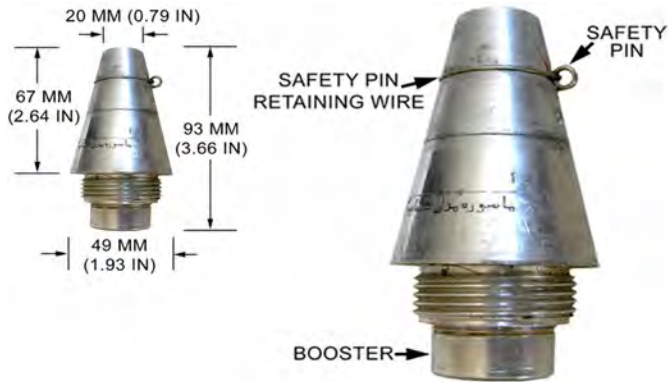
Ordnance used with:  
M73, 60-MM, HE, MORTAR  
TRM73, 60-MM, HE, MORTAR  
MODEL UNKNOWN, 60MM, MORTAR, HE  
UNKNOWN, 120MM, MORTAR, HE  
UNKNOWN, 60MM, MORTAR, HE  
UNKNOWN, 60MM, CARTRIDGE, MORTAR, HE  
M73, CARTRIDGE, 60-MM, MORTAR



IRANIAN PROJECTILE FUZE, PD, MODEL UNKNOWN



IRANIAN PROJECTILE FUZE, PD, MODEL UNKNOWN

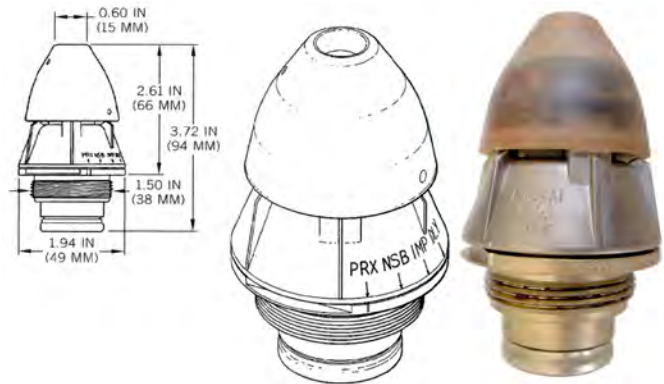


## SPANISH PROJECTILE FUZE, MT, MT370



## U.S. PROJECTILE FUZE, MORTAR: MULTIOPTION, M734A1

Ordnance used with:  
M821A1, 81MM, HE  
L31E2, 81-MM, MORTAR, HE  
M929, 120 MM, SMOKE  
M100, ELECTRIC DETONATOR  
M934A1, 120-MM, HE, MORTAR  
M61, STAB DETONATOR  
UNDESIGNATED, PRIMER DELAY, STAB (F/M734)  
N.E.W. 12.00 G





**CZECHOSLOVAKIAN BOMB FUZE ARMING DELAY MECHANISM, ELECTRIC, MDV-2E**



**U.S.S.R. BOMB FUZE ARMING DEVICE, MODEL UNKNOWN**





**SPANISH BOMB FUZE, ALL-WAY ACTING, MODEL UNKNOWN**



**TERRORIST/INSURGENT & GUERRILLA ORG FIRING DEVICE, ELECTRONIC, PULL ACTUATED, (TOGGLE SWITCHES) MODEL UNKNOWN**

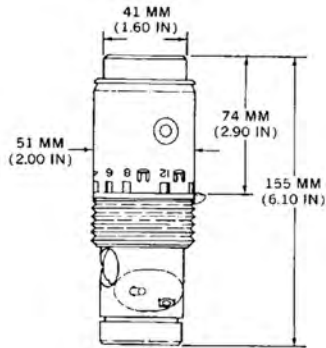
Ordnance used with:  
MODEL UNKNOWN, BELT, FRAGMENTATION, SUICIDE BOMBER





## TERRORIST/INSURGENT & GUERRILLA ORG FIRING DEVICE, ELECTRONIC, PULL, MODEL UNKNOWN

Ordnance used with:  
MODEL UNKNOWN, BELT, FRAGMENTATION, SUICIDE BOMBER



## U.S. BOMB FUZE, TAIL, IMPACT, SHORT DELAY, M905

Ordnance used with:  
BLU-110A/B, BOMB, GPLD, 1,000 LB  
BLU-111A/B, BOMB, GPLD, 500 LB  
BLU-82/B, BOMB UNIT, BLAST, CRADLED  
GBU-10/B, BOMB UNIT, GUIDED  
GBU-10A/B, BOMB UNIT, GUIDED  
GBU-10C/B, BOMB UNIT, GUIDED  
GBU-10D/B, BOMB UNIT, GUIDED  
N.E.W. 2.00 G

**U.K. PROJECTILE FUZE, PD, NO. 161 MK 3/1**



SHIPPING CAP  
REMOVED

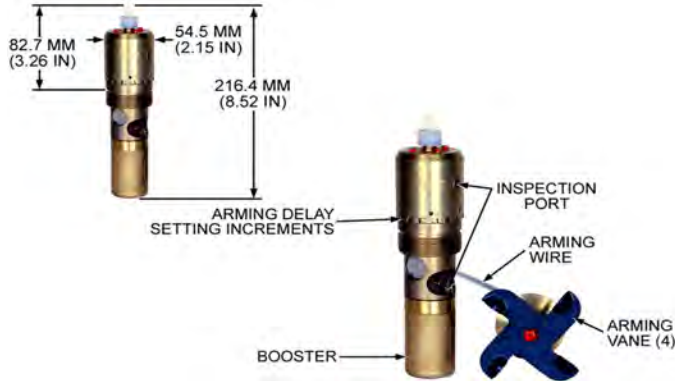


SHIPPING CAP



**UNKNOWN COUNTRY BOMB FUZE, TAIL, RM-905**





## SPANISH BOMB FUZE, TAIL, IMPACT, MU-8

Ordnance used with:  
 BR-82, BOMB, (TYPE MK 82)  
 BRF 1000, BOMB, FRAG  
 BRI-400, BOMB, GP, 400 KG, BRI-400  
 BR 250, BOMB, GP  
 BRF-125  
 BRF-125, FRAG

N.E.W. 90.00 G

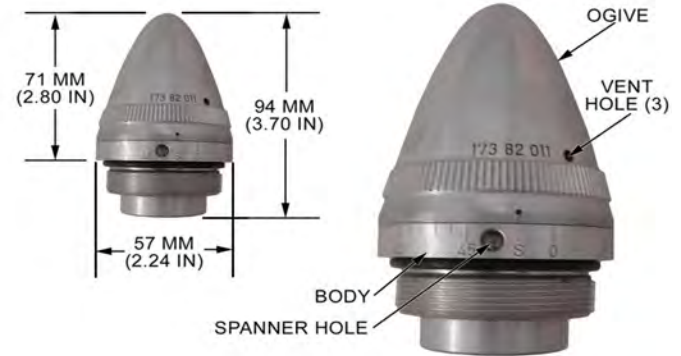


## TERRORIST/INSURGENT & GUERRILLA ORG FIRING DEVICE, ELECTRONIC, MERCURY SWITCH, MODEL UNKNOWN

Ordnance used with:  
 MODEL UNKNOWN, BELT, FRAG, SUICIDE BOMBER

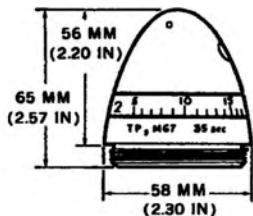
## SWEDISH ROCKET FUZE, PTT, MODEL UNKNOWN

Ordnance used with:  
MODEL UNKNOWN, WARHEAD, ILLUMINATION



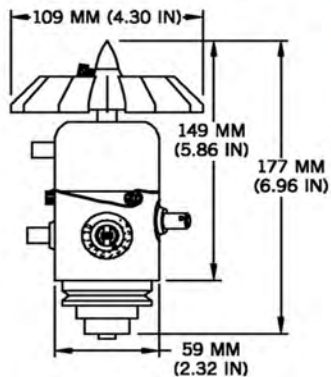
## UNKNOWN COUNTRY PROJECTILE FUZE, DUMMY, MODEL UNKNOWN





## YUGOSLAV PROJECTILE FUZE, PTT, M67

Ordnance used with:  
 M67, 60-MM, ILLUM, MORTAR  
 M67, 82-MM, ILLUM, MORTAR  
 M67, 81-MM, ILLUM, MORTAR  
 M67, 82MM, CARTRIDGE, ILLUM, MORTAR



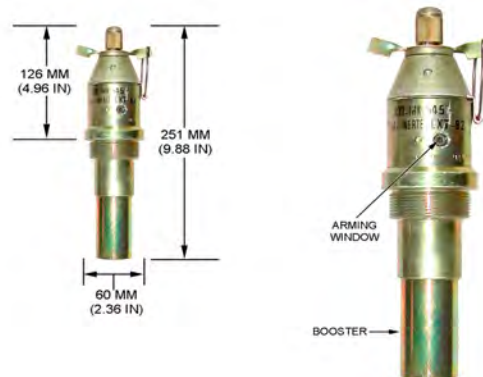
## CHILEAN BOMB FUZE, NOSE, ELECTRONIC TIME DELAY, EEA-II

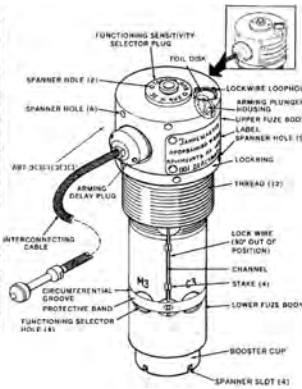
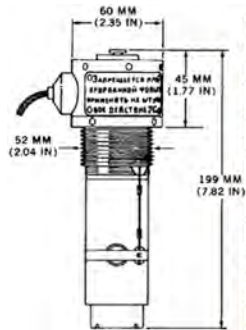
Ordnance used with:  
 CB-250-K, CLUSTER BOMB  
 CB 500, CLUSTER BOMB, 245 KG  
 CB 500-K, CLUSTER BOMB, 500 KG  
 CBU, NAAMAN-500

**CHILEAN BOMB FUZE, NOSE, ELECTRONIC TIME  
DELAY, EEA-250**



**FRENCH BOMB FUZE, NOSE, TYPE 545F**





## U.S.S.R. BOMB FUZE, NOSE & TAIL, IMPACT, AVT-E

Ordnance used with:  
 FAB-1500 M54, BOMB, GENERAL PURPOSE  
 FAB-1500 M46, BOMB, GENERAL PURPOSE  
 FAB-250 M54, BOMB, GENERAL PURPOSE  
 FAB-250 SHN, BOMB, HE, RETARDED, 275 KG  
 FAB-500 M46, BOMB, GENERAL PURPOSE  
 FAB-500 M54, BOMB, GENERAL PURPOSE  
 FAB-500SH, GENERAL PURPOSE, 500 KG



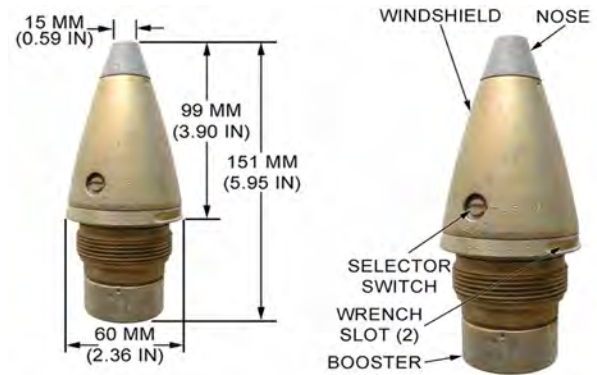
## UNKNOWN COUNTRY BOMB FUZE, NOSE AND TAIL, IMPACT INERTIA, FUEBA

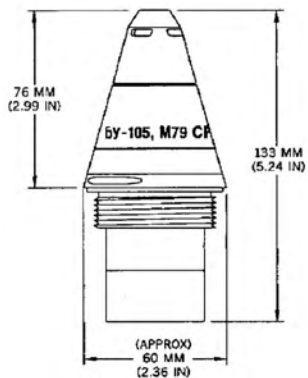


**UNKNOWN COUNTRY PROJECTILE FUZE, MTSQ, NR 2146 A**



**UNKNOWN COUNTRY PROJECTILE FUZE, PD M557 A2**





## YUGOSLAV PROJECTILE FUZE, PROXIMITY/PD, BU-105 M79

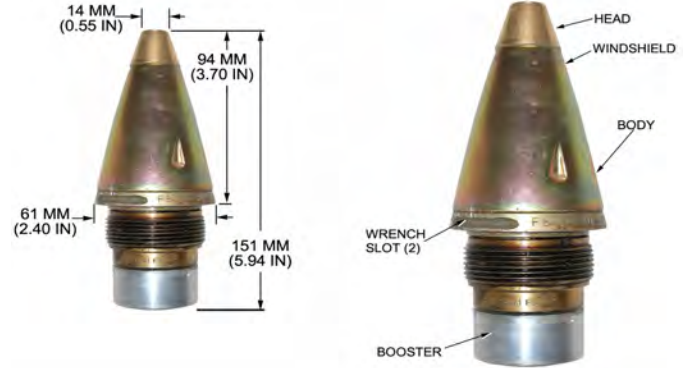
Ordnance used with:  
M1, 105-MM, HE

N.E.W. 55.60 G



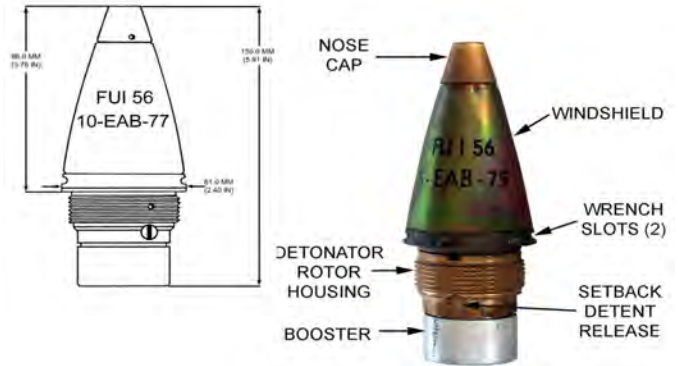
## BELGIAN PROJECTILE FUZE, PD, M739

## COUNTRY UNKNOWN PROJECTILE FUZE, PD, M557



## FRENCH PROJECTILE FUZE, PD, FUI 56

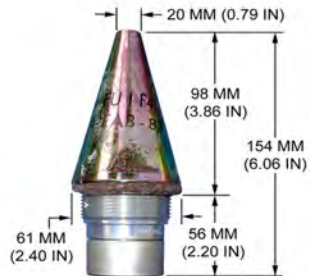
Ordnance used with:  
OE105 F1, 105-MM, HE  
MODEL 56, 155MM, HE  
MODEL 56/69, 155-MM, HE  
OE 155 56/69, 155-MM, HE  
TYPE 56/69, 155-MM, HE  
F2, 155-MM, SMOKE WP  
F1A, 155-MM, SMOKE WP





## FRENCH PROJECTILE FUZE, PD, FUI F3

Ordnance used with:  
 MODEL 56, 155MM, HE  
 MODEL 56/69, 155-MM, HE  
 OE 155 56/69, 155-MM, HE  
 TYPE 56/69, 155-MM, HE  
 F1, 155-MM, PRACTICE  
 OX 155 F1  
 F1A, 155-MM, SMOKE WP



## FRENCH PROJECTILE FUZE, PD, FUI F4

Ordnance used with:  
 MODEL 56, 155MM, HE  
 MODEL 56/69, 155-MM, HE  
 OE 155 56/69, 155-MM, HE  
 TYPE 56/69, 155-MM, HE  
 F1, 155-MM, PRACTICE  
 OX 155 F1  
 F1A, 155-MM, SMOKE WP

## FRENCH PROJECTILE FUZE, PD, VG-29

Ordnance used with:

F2

OE-PAD-120-F2

P.R.P.A., 120-MM, MORTAR, HE

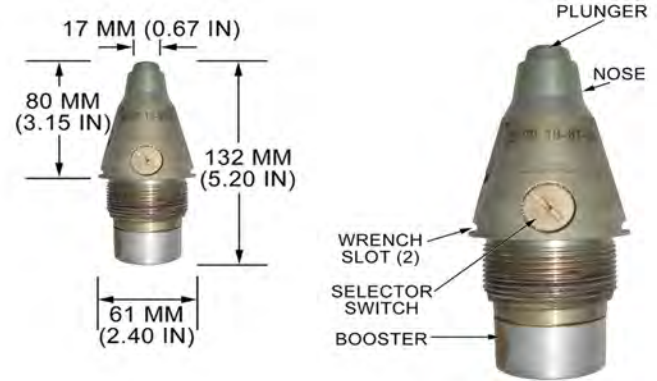
PRPA., 120-MM, HE-RA, MORTAR

OE 120 F1, 120 MM, HE, MORTAR

OE.120.F1, 120 MM, HE

OE 120 F1, 120MM, CARTRIDGE, HE, MORTAR

N.E.W. 37.71 G



## FRENCH PROJECTILE FUZE, PROXIMITY, CAL 120 PR 14

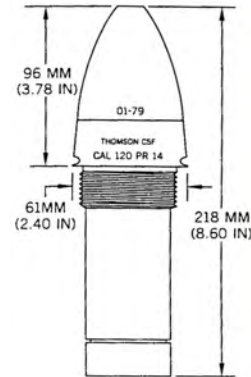
Ordnance used with:

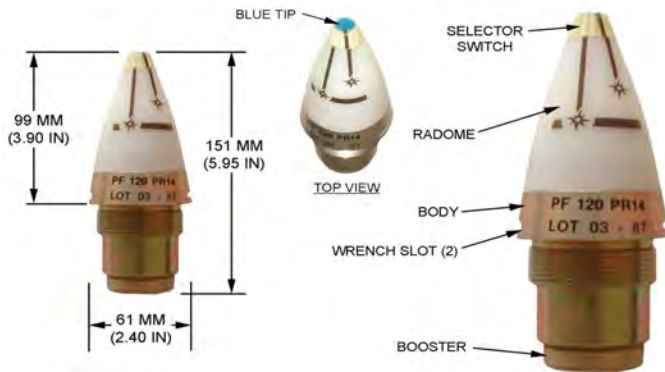
M852, CARTRIDGE, 120-MM, HE, MORTAR

MKE MOD 209, 120 MM, HE

MKE MOD 209, CARTRIDGE, 120-MM, HE, MORTAR

N.E.W. 25.40 G





## FRENCH PROJECTILE FUZE, PROXIMITY, PF 120 PR 14

Ordnance used with:  
 PR 14, 120-MM, HE  
 PR 14 (MODIFIED), 120-MM, HE  
 PR 14, CARTRIDGE, 120-MM, HE

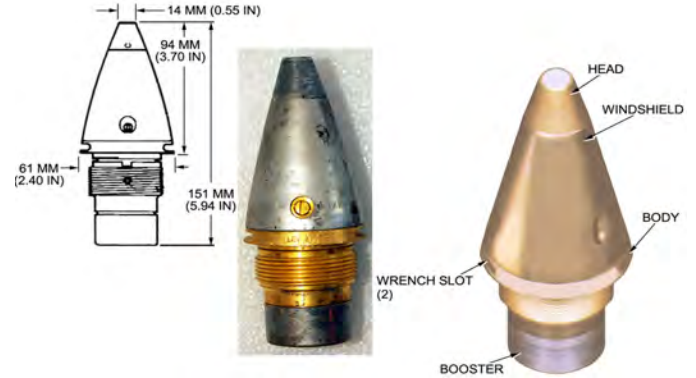
N.E.W. 21.00 G



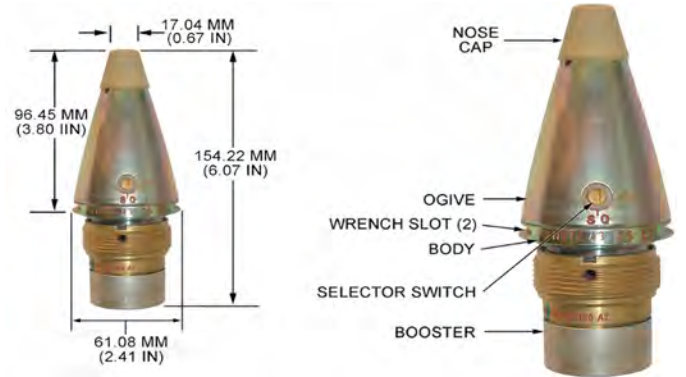
## IRANIAN PROJECTILE FUZE, PD, MODEL UNKNOWN

## PAKISTANI PROJECTILE FUZE, PD, PDM 557

Ordnance used with:  
M125A1, BOOSTER  
M107, 155 MM, HE  
M107, 155 MM, HE  
M106, 203 MM, HE  
UNKNOWN, 105-MM, HE  
UNKNOWN, 105-MM, CARTRIDGE, HE  
UNKNOWN, 105-MM, SMOKE, WP



## SOUTH AFRICAN PROJECTILE FUZE, PD, M572A3





### SOUTH AFRICAN PROJECTILE FUZE, PDSQ, M572 R1M1



### SOUTH AFRICAN PROJECTILE FUZE, PDSQ, M841A1



Ordnance used with:

- M1A2, 155-MM, HE, ERFB BB
- M1A1, 155-MM, HE, ERFB
- M1A1, 155MM, HE, ERFB, BB
- M1A1, 155-MM, PRACTICE, ERFB
- M1A2, 155-MM, ERFB, PRACTICE
- M1A4, 155-MM, HE, ERFB

N.E.W. 26.03 G



## SOUTH AFRICAN PROJECTILE FUZE, PROXIMITY, M85C13

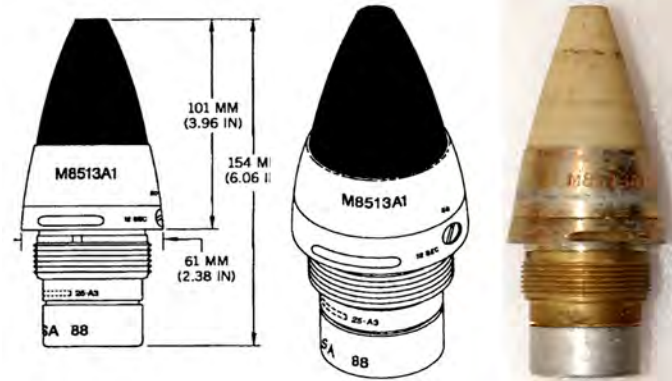
Ordnance used with:  
M545 A-1-AU, BOOSTER, FUZE

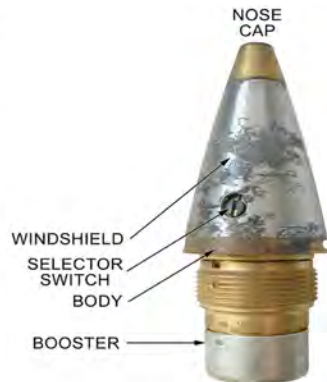


## SOUTH AFRICAN PROJECTILE FUZE, PROXIMITY/PD, M8513A1

Ordnance used with:  
M1A2, 155-MM, HE, ERFB BB  
M1A1, 155-MM, HE, ERFB  
M1A1, 155MM, HE, ERFB, BB  
M1A1, 155-MM, PRACTICE, ERFB  
M1A2, 155-MM, ERFB, PRACTICE  
M1A4, 155-MM, HE, ERFB

N.E.W. 22.68 G





## SPANISH PROJECTILE FUZE, PD, M557

Ordnance used with:  
 F1, 155-MM, PRACTICE  
 OX 155 F1  
 56/69, 155-MM, PRACTICE W/ SPOTTING CHARGE  
 OX 155 56/69  
 MKE MOD 233, 105 MM, HE  
 MODEL 233  
 F1, 155 MM, HE



## SPANISH PROJECTILE FUZE, PD, PDB 103

## U.S. PROJECTILE FUZE, MTSQ, M564

Ordnance used with:

M1, 105-MM, HE

M101, 155 MM, HE (GUN)

M104, 155 MM, SMOKE, WP OR FS

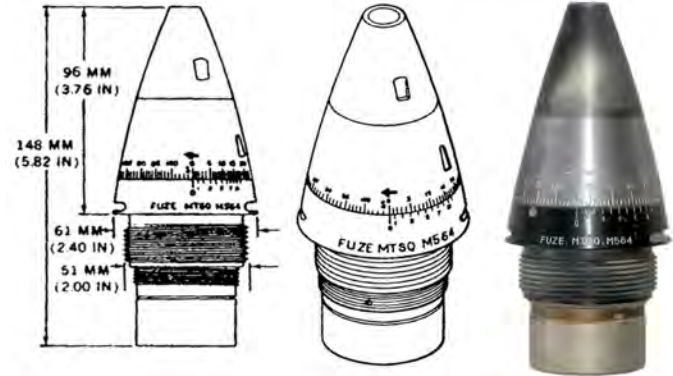
M106, 8-INCH, HE

M110, 155 MM, SMOKE, WP (HOWITZER)

M110A1, 155 MM, SMOKE, WP (HOWITZER)

M110A2, 155 MM, SMOKE, WP (HOWITZER)

N.E.W. 28.70 G



## U.S. PROJECTILE FUZE, PD, M51A5

Ordnance used with:

M1, 105-MM, HE

M101, 155 MM, HE (GUN)

M104, 155 MM, SMOKE, WP OR FS

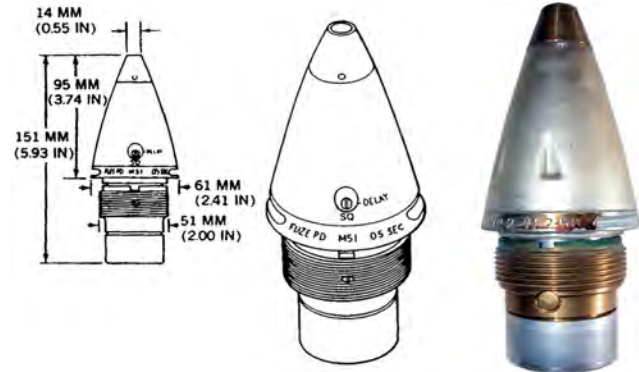
M105, 155 MM, SMOKE, WP

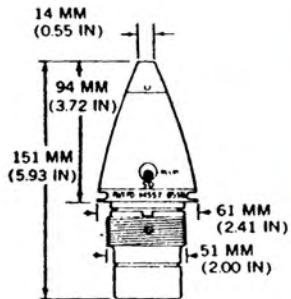
M106, 8-INCH, HE

M110, 155 MM, SMOKE, WP (HOWITZER)

M110A1, 155 MM, SMOKE, WP (HOWITZER)

N.E.W. 24.00 G



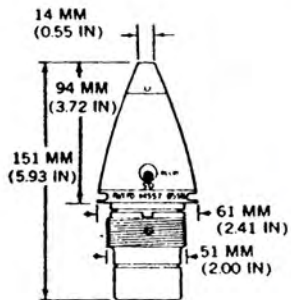


## U.S. PROJECTILE FUZE, PD, M557

Ordnance used with:

- M1, 105-MM, HE
- M101, 155 MM, HE (GUN)
- M104, 155 MM, SMOKE, WP OR FS
- M106, 8-INCH, HE
- M121, 155-MM, GAS, VX
- M121A1, 155-MM, GAS, VX OR GB
- M122, 155-MM, GAS, GB

N.E.W. 24.00 G



## U.S. PROJECTILE FUZE, PD, M557, WITH BOOSTER

Ordnance used with:

- M1, 105-MM, HE
- M101, 155 MM, HE (GUN)
- M104, 155 MM, SMOKE, WP OR FS
- M106, 8-INCH, HE
- M121, 155-MM, GAS, VX
- M121A1, 155-MM, GAS, VX OR GB
- M122, 155-MM, GAS, GB

N.E.W. 24.00 G

## U.S. PROJECTILE FUZE, PD, M572

Ordnance used with:

M1, 105-MM, HE

M106, 8-INCH, HE

M110, 155 MM, SMOKE, WP (HOWITZER)

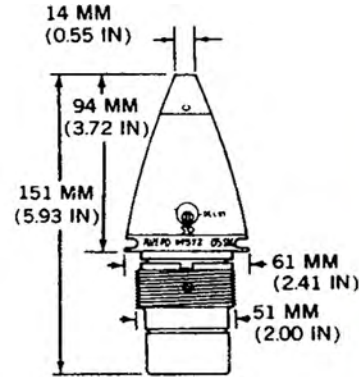
M110A1, 155 MM, SMOKE, WP (HOWITZER)

M110A2, 155 MM, SMOKE, WP (HOWITZER)

M110E3, 155 MM, SMOKE, WP (HOWITZER)

M356 (T15E3), 120-MM, HE-T

N.E.W. 24.00 G



## U.S. PROJECTILE FUZES, PD, M739 & M739A1

Ordnance used with:

M1, 105-MM, HE

M106, 8-INCH, HE

M110, 155 MM, SMOKE, WP (HOWITZER)

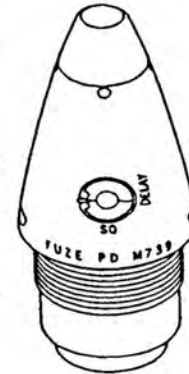
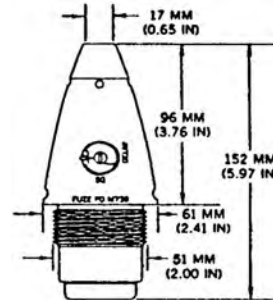
M110A1, 155 MM, SMOKE, WP (HOWITZER)

M110A2, 155 MM, SMOKE, WP (HOWITZER)

M110E3, 155 MM, SMOKE, WP (HOWITZER)

M121, 155-MM, GAS, VX

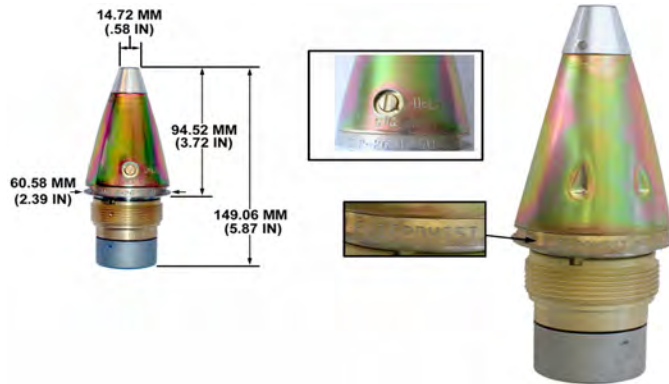
N.E.W. 29.00 G



**UNKNOWN COUNTRY PROJECTILE FUZE, MTSQ,  
M564**



**UNKNOWN COUNTRY PROJECTILE FUZE, PD, PDM  
557**

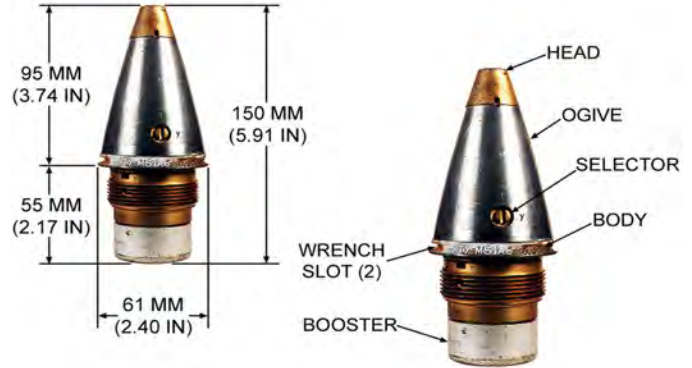


Ordnance used with:  
M125A1, BOOSTER

## YUGOSLAV PROJECTILE FUZE, PD, M51A5

Ordnance used with:

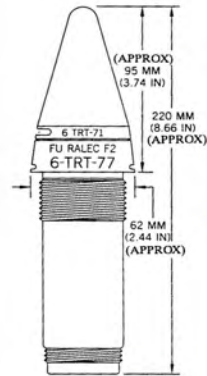
M110, 155 MM, SMOKE, WP (HOWITZER)  
M110A1, 155 MM, SMOKE, WP (HOWITZER)  
M110A2, 155 MM, SMOKE, WP (HOWITZER)  
M110E3, 155 MM, SMOKE, WP (HOWITZER)  
56/69, 155-MM, PRACTICE W/ SPOTTING CHARGE  
OX 155 56/69  
M59, 122-MM, HE



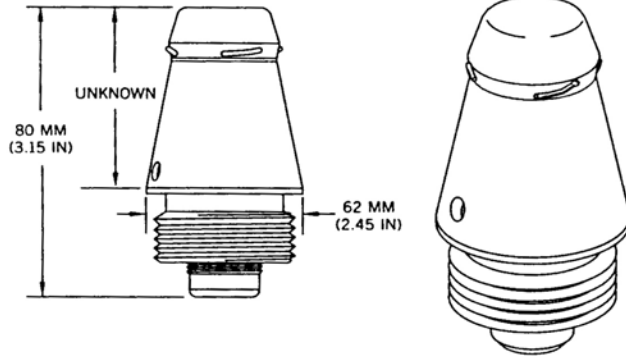
## FRENCH PROJECTILE FUZE, PROXIMITY, FU-RALEC-F2

Ordnance used with:

MODEL 56, 155MM, HE  
MODEL 56/69, 155-MM, HE  
OE 155 56/69, 155-MM, HE  
TYPE 56/69, 155-MM, HE  
F1, 155-MM, PRACTICE  
OX 155 F1  
56/69, 155-MM, PRACTICE W/ SPOTTING CHARGE  
N.E.W. 31.38 G



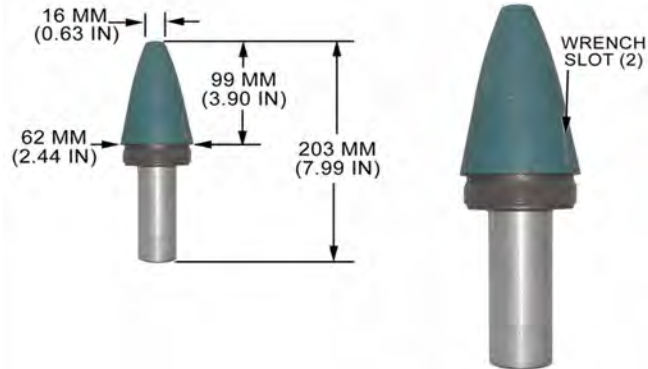
## IRAQI FUZE, MORTAR, PD, MODEL UNKNOWN



Ordnance used with:  
MODEL UNKNOWN, 82-MM, CARTRIDGE, MORTAR, HE  
MODEL UNKNOWN, 82MM, MORTAR, HE

N.E.W. 6.00 G

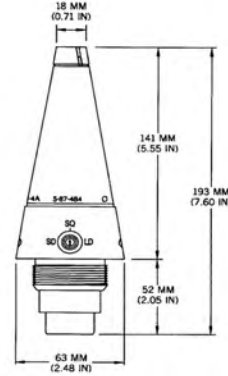
## ITALIAN PROJECTILE FUZE, DUMMY, OP 75 MOD 1/TB 76



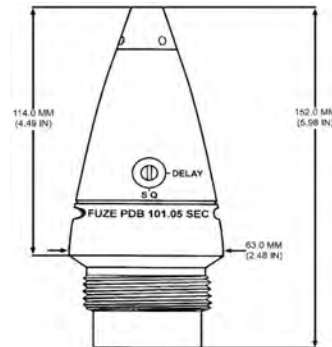


## CHINESE ROCKET FUZES, PD MJ-4 AND MJ-4A

Ordnance used with:  
TYPE 81, ROCKET, 122 MM, HE, GROUND



## SPANISH PROJECTILE FUZE, PD, PDB 101

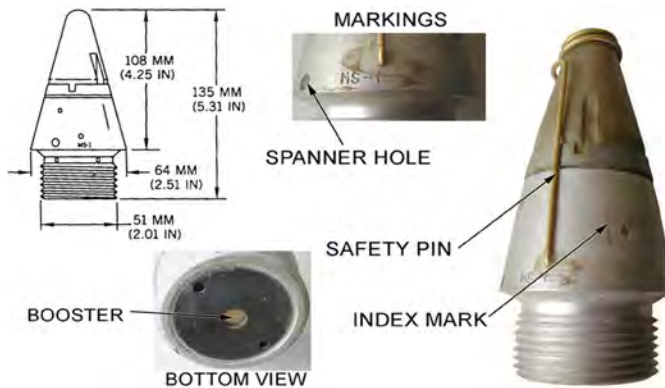




## CHINESE FUZE ADAPTER, PROJECTILE , MODEL UNKNOWN

Ordnance used with:  
ML-5  
ML5, PROJECTILE, PD

N.E.W. 100.00 G



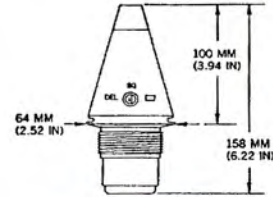
## CHINESE PROJECTILE FUZE, MT, MS-1

Ordnance used with:  
TYPE 54, 122-MM, ILLUM  
TYPE 59, 130-MM, ILLUM  
TYPE 66, 152 MM, ILLUM  
TYPE 83, 122-MM, DPICM  
TYPE 59, 130MM, DPICM  
TYPE 66, 152MM, DPICM

N.E.W. 4.00 G

## CHINESE PROJECTILE FUZE, PD, MODEL ML-7

Ordnance used with:  
TYPE 66 MODIFIED, 152 MM, HE  
TYPE 83, 152 MM, HE

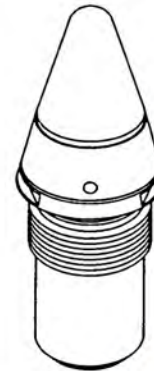
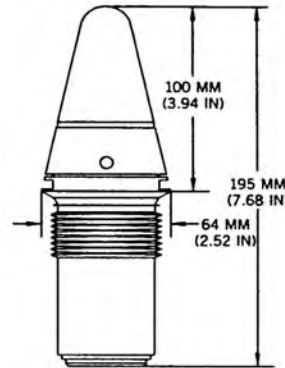


Delay, Super Quick, and  
Instantaneous Settings

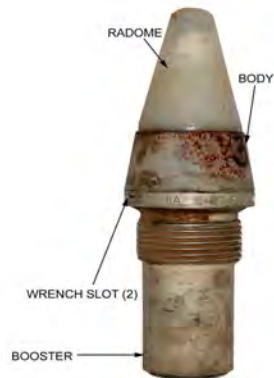


## CHINESE PROJECTILE FUZE, PROXIMITY/PD, MD-11

Ordnance used with:  
TYPE 59, 130MM, HE  
TYPE 66 MODIFIED, 152 MM, HE  
TYPE 59 MODIFIED, PROJECTILE, 130-MM, HE



N.E.W. 13.82 G



## CHINESE PROJECTILE FUZE, PROXIMITY/PD, MD-11A

Ordnance used with:  
TYPE 59, 130MM, HE  
TYPE 59 MODIFIED, PROJECTILE, 130-MM, HE



## CHINESE PROJECTILE FUZE, PROXIMITY/PD, MD-12A

N.E.W. 80.02 G

## CHINESE PROJECTILE FUZE, PTT, MS-3A

Ordnance used with:

TYPE 86

TYPE W86

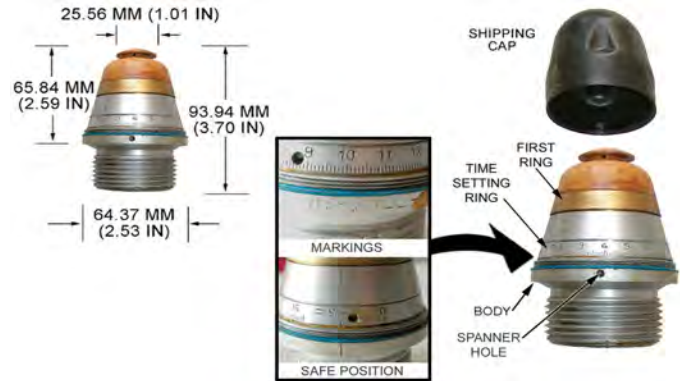
W86, 120MM, MORTAR, DPICM

TYPE 55, 120 MM, ILLUM, MORTAR

TYPE 53, 82MM, MORTAR, ILLUM

UNKNOWN, 82 MM, MORTAR, ILLUM

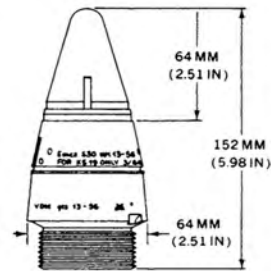
TYPE 71, 100 MM, MORTAR, ILLUMINATION



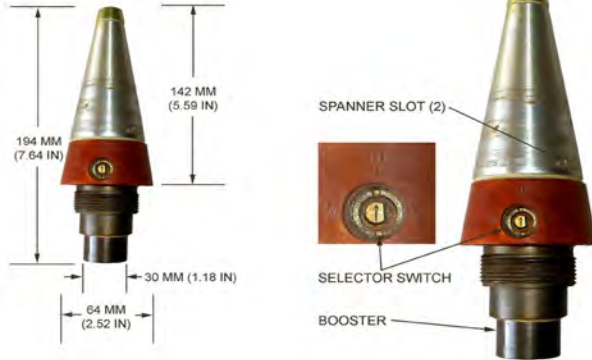
## CZECHOSLOVAKIAN PROJECTILE FUZE, MT, VDM

Ordnance used with:

UNKNOWN, 100 MM, HE



## CZECHOSLOVAKIAN ROCKET FUZES, PD, MRV



## FRENCH PROJECTILE FUZE, PROXIMITY, PF 130



N.E.W. 12.00 G

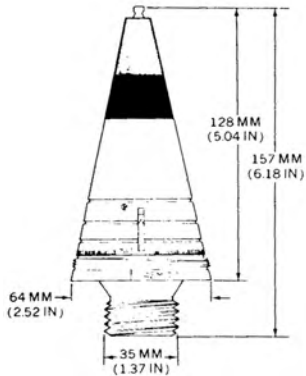
## FRENCH ROCKET FUZE, PD, ALL-WAY ACTING, 156



N.E.W. 28.00 G

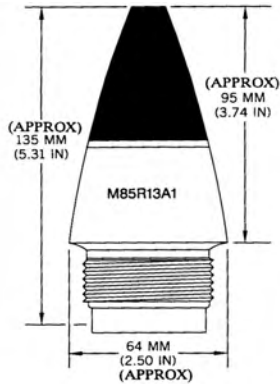
## FRENCH ROCKET FUZE, PD, S21





## GERMAN (PEOPLE'S REPUBLIC) ROCKET FUZE, T, MODEL T-7

Ordnance used with:  
 FLG-5000/M68, 116MM, ILLUMINATION  
 MODEL UNKNOWN, 116 MM, ILLUMINATION  
 ATI 5000 (AIR TARGET IMITATOR)  
 ATI 5000 (S) (AIR TARGET IMITATOR)



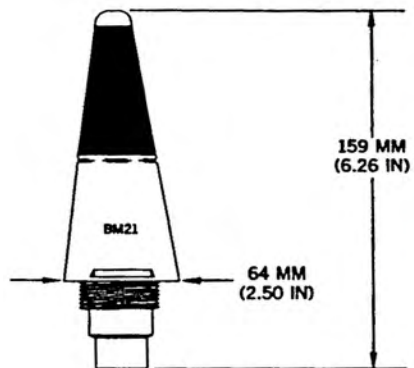
## SOUTH AFRICAN PROJECTILE FUZE, PROXIMITY, M85R13A1

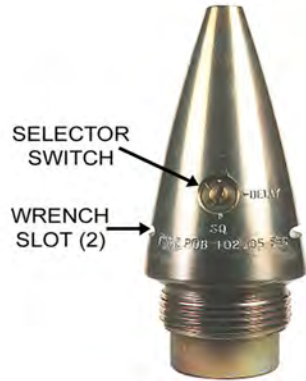


**SOUTH AFRICAN PROJECTILE FUZE, PROXIMITY/PD,  
M85R13**

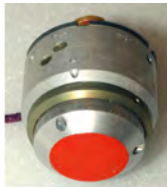


**SOUTH AFRICAN ROCKET FUZE, PROXIMITY BM21**





**SPANISH PROJECTILE FUZE, PDSQ, PDB 102**

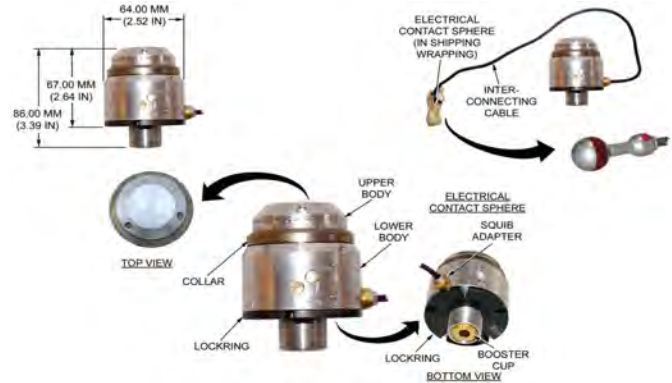


**U.S.S.R. BOMB FUZE, ATK-EA**

Ordnance used with:  
RBK-250-275, DISPENSER  
RBK-500 AO-2.5 RTM, CLUSTER BOMB

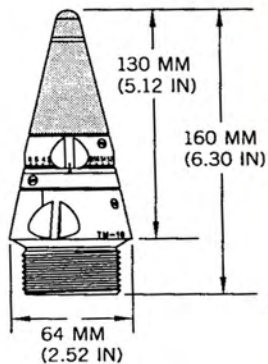
## U.S.S.R. BOMB FUZE, MT, ATK-EB

Ordnance used with:  
RBK-250-275, DISPENSER  
ZAB-50TG TYPE C, BOMB, INCENDIARY  
PTAB-500-225, CLUSTER/DISPENSER  
RBK-500-225, CLUSTER/DISPENSER  
RBK-250, DISPENSER



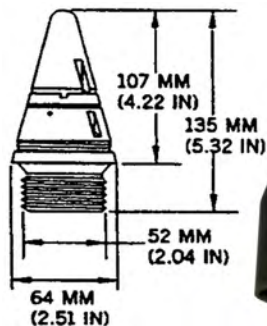
## U.S.S.R. BOMB FUZE, NOSE OR TAIL, ALL-WAY ACTING, EMV-538





### U.S.S.R. PROJECTILE FUZE, MT, TM-16L

Ordnance used with:  
SP-46, 130-MM, ILLUMINATION

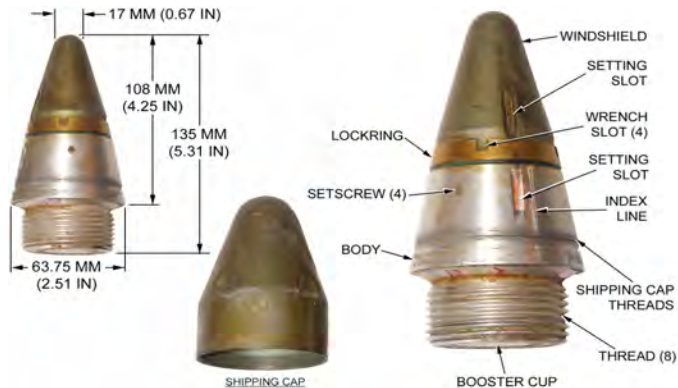


### U.S.S.R. PROJECTILE FUZE, MT, VM-30

Ordnance used with:  
O-415, 100-MM, HE-FRAG

N.E.W. 6.00 G

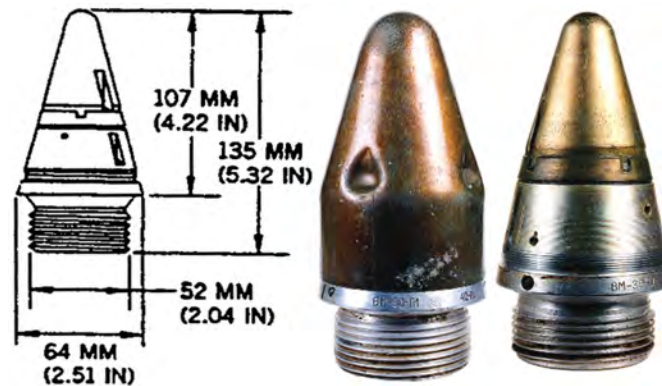
## U.S.S.R. PROJECTILE FUZE, MT, VM-30-L1



N.E.W. 58.68 G

## U.S.S.R. PROJECTILE FUZE, MT, VM-30L

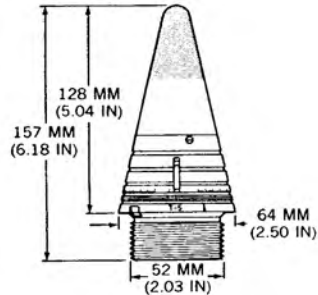
Ordnance used with:  
O-415, 100-MM, HE-FRAG



N.E.W. 6.00 G



## U.S.S.R. PROJECTILE FUZE, PROXIMITY, LASER, MODEL UNKNOWN



FUZE WITH SHIPPING CAP

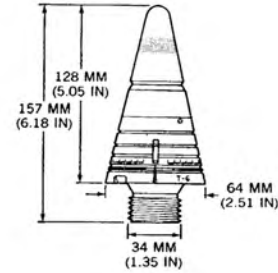
## U.S.S.R. PROJECTILE FUZES, TIME, T-5 & T-11

Ordnance used with:  
 O-365, 85-MM, PROJECTILE, HE, (2 PIECE)  
 UO-365, 85-MM, CARTRIDGE, HE  
 UO-365K, 85-MM, CARTRIDGE, FRAG  
 M69, 85-MM, HE  
 O-365 (ONE-PIECE), 85-MM, HE-FRAG

N.E.W. 0.16 LB

## U.S.S.R. PROJECTILE FUZES, TSQ, T-6; & T OR TSQ, T-7

Ordnance used with:  
OS-464, 122-MM, ILLUM  
A-462, 122-MM, PROPAGANDA  
S-463, 122-MM, ILLUM  
S-463ZH, 122-MM, ILLUM  
SH-354G, 76-MM, SHRAPNEL

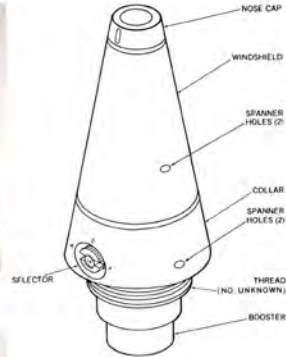
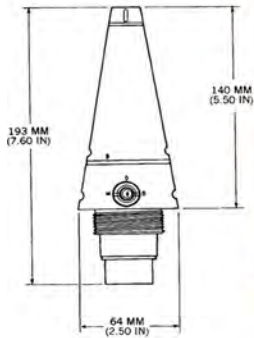


N.E.W. 10.00 G

## U.S.S.R. ROCKET FUZE, MT, TM-120

Ordnance used with:  
9N128K1, WARHEAD, 220MM, CARGO





## U.S.S.R. ROCKET FUZE, PD, MRV-42M

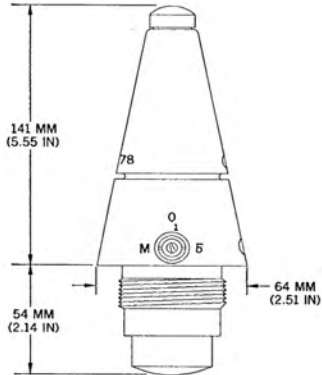
Ordnance used with:

9M22M, 122 MM, HE-FRAG, 6 FOOT

SAKR-10

UNKNOWN, 122MM, HE, TWO-STAGE, SURFACE-TO-SURFACE

N.E.W. 88.00 G



## U.S.S.R. ROCKET FUZE, PD, MRV-U

Ordnance used with:

9M22M, 122 MM, HE-FRAG, 6 FOOT

SAKR-10

9M22U, 122 MM, HE-FRAG, 9 FOOT

UNKNOWN, 122MM, HE, TWO-STAGE, SURFACE-TO-SURFACE

MDL UNK, WARHEAD, 122 MM, CHEMICAL, NON-PERSISTANT

9M27F, 220MM, HE

9N128F, WARHEAD, 220MM, HE

N.E.W. 29.00 G



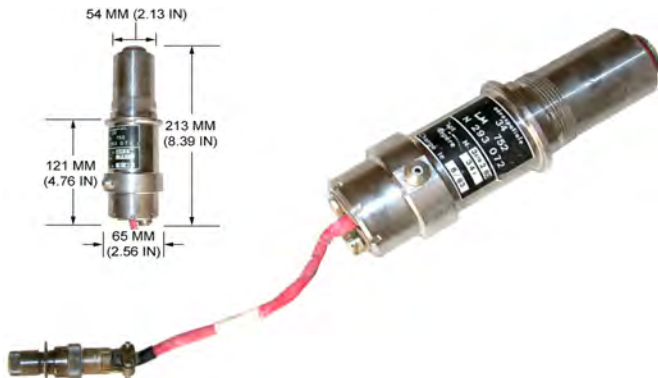
### BRAZILIAN ROCKET FUZE, PD, M20-C1

Ordnance used with:  
SS-15, 127-MM, HE (ASTROS II)  
SS-15, 127MM, HE, GROUND  
SS-30, 127-MM, HE (ASTROS II)  
SS30, 127MM, HE, GROUND  
SS-40, 180-MM, HE (ASTROS II)  
SS-60, 300-MM, HE (ASTROS II)  
SS-80, 300-MM, HE, SURFACE-TO-SURFACE

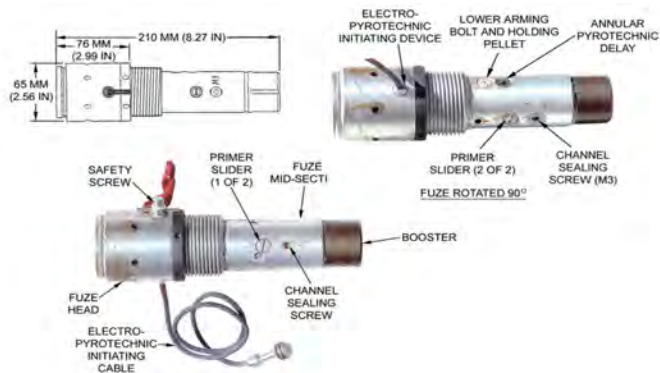


### FRENCH BOMB FUZE, TYPE 130





**FRENCH FUZE, TYPE UNKNOWN, AEROSPATIALE 34**



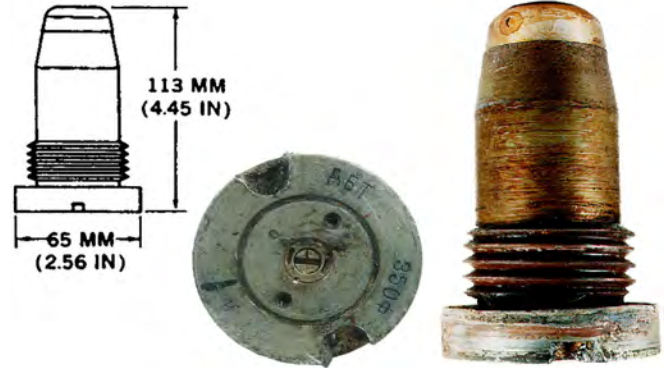
**U.S.S.R. BOMB FUZE, NOSE AND TAIL, IMPACT INERTIA, AVU-ET**

Ordnance used with:  
 OFAB 100 120, BOMB, FRAG  
 KAB-500KR, TV GUIDED  
 FAB-100 M80, BOMB, GP, 100 KG  
 UNKNOWN, GUIDANCE KIT  
 PF.K ZB-500SH, BOOSTER, INCENDIARY  
 KAB 500KR, BOMB, CONCRETE PIERCING

N.E.W. 59.44 G

## U.S.S.R. PROJECTILE FUZE, BD, DBT

Ordnance used with:  
G-530, 152-MM, CP  
G-572, 180-MM, CP  
G620SH, 203-MM, CP  
G620T, 203-MM, CP  
G530ZH, 152-MM, CP

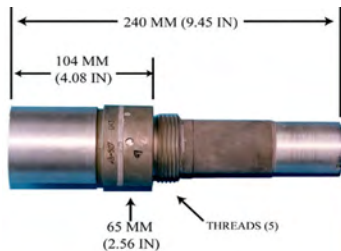


N.E.W. 80.00 G

## FRENCH PROJECTILE FUZE, MT, FR55B

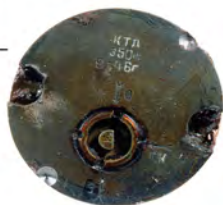
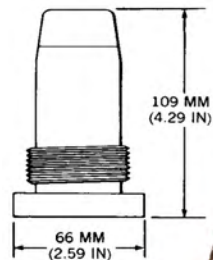
Ordnance used with:  
120-MM, PR.M., ILLUMINATION, MORTAR, CARTRIDGE  
120-MM, PR.M., ILLUMINATION, MORTAR,





### U.S.S.R. BOMB FUZE, NOSE AND TAIL, IMPACT, AV 527

Ordnance used with:  
ZAB 500 SH, BOMB, INCENDIARY, 500 KG  
KP-527, PARACHUTE DEPLOYMENT MECHANISM



### U.S.S.R. PROJECTILE FUZE, BD, KDT

Ordnance used with:  
G 620, 203-MM, CP  
G-471, 122-MM, CP  
G471, 122 MM, CP  
G-530, 152-MM, CP  
G620T, 203-MM, CP

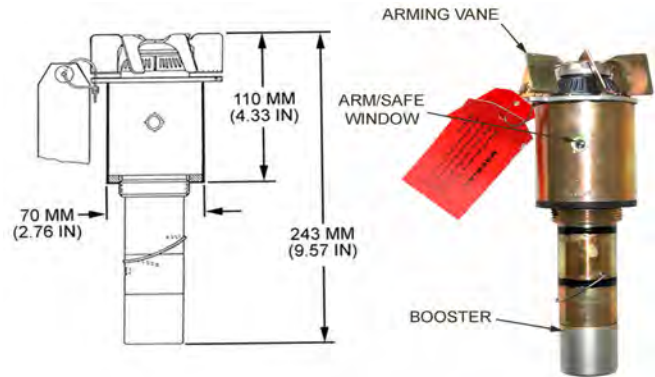
**MODEL UNKNOWN, FIRING DEVICE, IMPROVISED,  
RADIO CONTROLLED, SEGA, CAR ALARM**

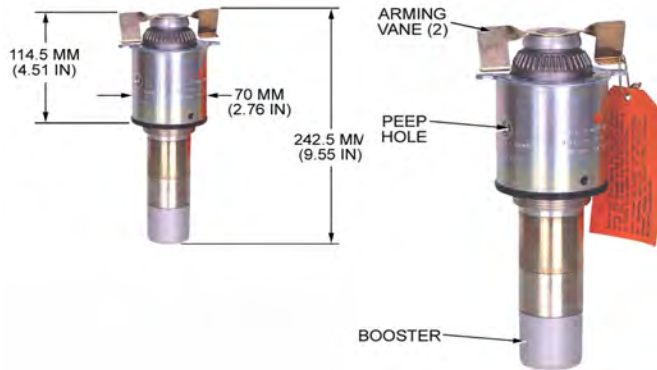


**SPANISH BOMB FUZE, NOSE, IMPACT, KAPPA III;  
KAPPA 3**

Ordnance used with:

- BRIP-400, BOMB, PARACHUTE RETARDED
- BRP 250, GP, PARACHUTE RETARDED
- BRP-125, BOMB, PARACHUTE RETARDED
- BRP, 500 KG, PARACHUTE RETARDED
- BRP-500, 500-KG, RETARDED, GENERAL PURPOSE (GP)
- BRP-500, PARACHUTE RETARDED
- BRP 375, GP, PARA RETARDED





## SPANISH BOMB FUZE, NOSE, IMPACT, MU-09

Ordnance used with:  
 BR-82, BOMB, (TYPE MK 82)  
 BRF 1000, BOMB, FRAG  
 BRF 250, BOMB, FRAG  
 BRF 500, BOMB, FRAG  
 BRI-400, BOMB, GP, 400 KG, BRI-400  
 BR 250, BOMB, GP

N.E.W. 72.00 KG



**BOTTOM VIEW**



**TOP VIEW**



## UNKNOWN COUNTRY BOOSTER, MODEL UNKNOWN

## FRENCH BOMB FUZE, TAIL, IMPACT, TYPE 13 B



## U.S. BOMB FUZE, ELECTRONIC, NOSE AND/OR TAIL, IMPACT, FMU-139/B

Ordnance used with:

BLU-110A/B, BOMB, GPLD, 1,000 LB

BLU-111A/B, BOMB, GPLD, 500 LB

DSU-30/B, BOMB TARGET DETECTING DEVICE

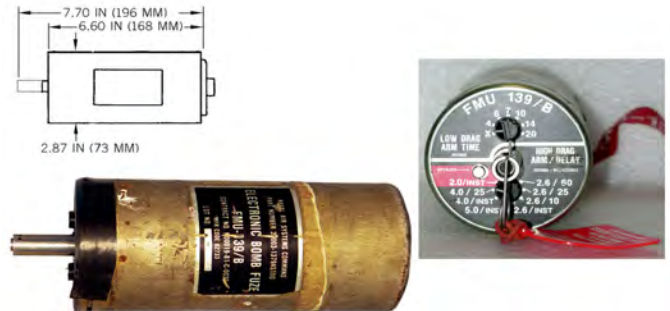
DSU-33A(D-2)/B, SENSING ELEMENT, DUMMY

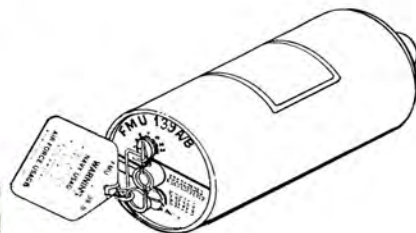
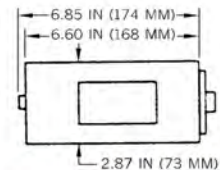
DSU-33A/B, SENSING ELEMENT, PROXIMITY

GBU-10/B, BOMB UNIT, GUIDED

GBU-10A/B, BOMB UNIT, GUIDED

N.E.W. 129.00 G





## U.S. BOMB FUZES, ELECTRONIC, NOSE AND/OR TAIL, IMPACT, FMU-139A/B AND FMU-139B/B

Ordnance used with:

BLU-110A/B, BOMB, GPLD, 1,000 LB

BLU-111A/B, BOMB, GPLD, 500 LB

DSU-30/B, BOMB TARGET DETECTING DEVICE

DSU-33A(D-2)/B, SENSING ELEMENT, DUMMY

DSU-33A/B, SENSING ELEMENT, PROXIMITY

GBU-10/B, BOMB UNIT, GUIDED

GBU-10A/B, BOMB UNIT, GUIDED

N.E.W. 129.00 G



## CHILEAN BOMB FUZE, NOSE, IMPACT, MF 1000



**U.S. BOMB FUZE, NOSE & TAIL, MULTIPURPOSE,  
FMU-26/B**

Ordnance used with:

M117A3

BLU-110A/B, BOMB, GPLD, 1,000 LB

BLU-111A/B, BOMB, GPLD, 500 LB

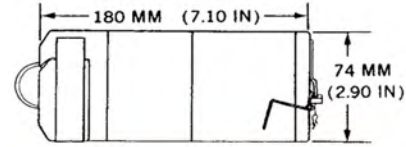
GBU-10/B, BOMB UNIT, GUIDED

GBU-10A/B, BOMB UNIT, GUIDED

GBU-11/B, BOMB UNIT, GUIDED

GBU-11A/B, BOMB UNIT, GUIDED

N.E.W. 53.00 G



**U.S. BOMB FUZE, NOSE & TAIL, MULTIPURPOSE,  
FMU-26A/B**

Ordnance used with:

M117A3

BLU-110A/B, BOMB, GPLD, 1,000 LB

BLU-111A/B, BOMB, GPLD, 500 LB

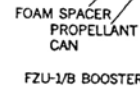
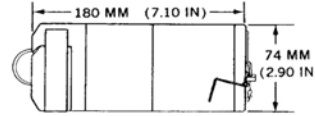
GBU-10/B, BOMB UNIT, GUIDED

GBU-10A/B, BOMB UNIT, GUIDED

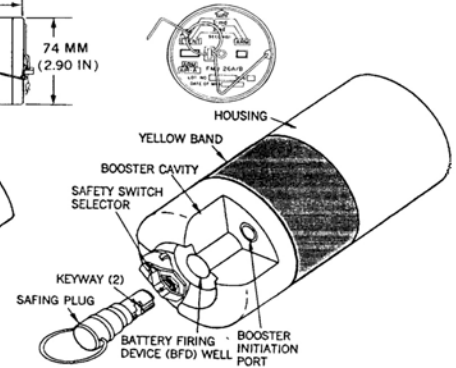
GBU-11/B, BOMB UNIT, GUIDED

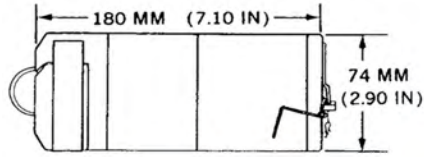
GBU-11A/B, BOMB UNIT, GUIDED

N.E.W. 52.00 G



FZU-1/B BOOSTER



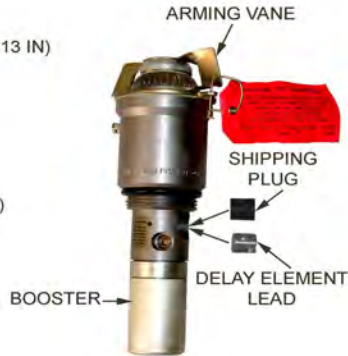


## U.S. BOMB FUZE, NOSE & TAIL, MULTIPURPOSE, FMU-26B/B

Ordnance used with:  
M117A3

BLU-110A/B, BOMB, GPLD, 1,000 LB  
BLU-111A/B, BOMB, GPLD, 500 LB  
GBU-10/B, BOMB UNIT, GUIDED  
GBU-10A/B, BOMB UNIT, GUIDED  
GBU-10C/B, BOMB UNIT, GUIDED  
GBU-10D/B, BOMB UNIT, GUIDED

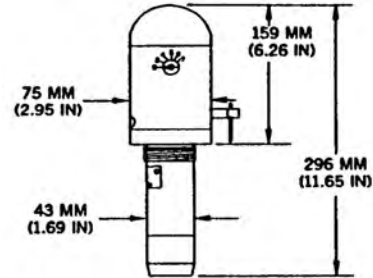
N.E.W. 52.00 G



## UNKNOWN COUNTRY BOMB FUZE, NOSE, RM-904

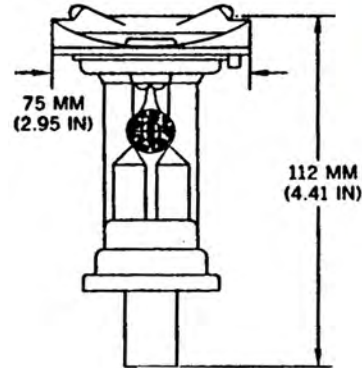
## SPANISH BOMB FUZE, NOSE, TIME (ELECTROMECHANICAL) TF-4000-E

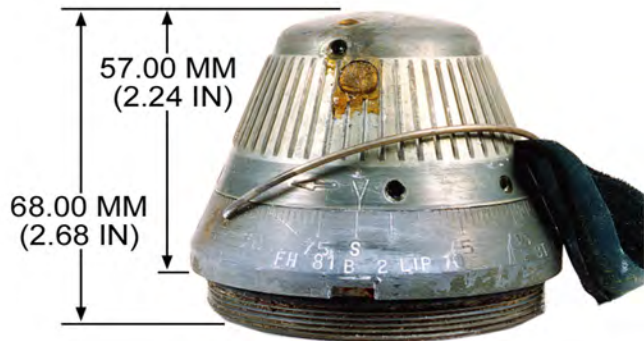
Ordnance used with:  
TF-5000, TRANSVERSE, MT, SHORT DELAY  
ASH-250, RETARDED GENERAL PURPOSE BOMB



## SPANISH BOMB FUZE, TRANSVERSE, IMPACT (ALL-WAY ACTION), GAMMA; GAMA-R

Ordnance used with:  
BRP 250, GP, PARACHUTE RETARDED  
BRP-125, BOMB, PARACHUTE RETARDED  
BRP, 500 KG, PARACHUTE RETARDED  
BRP-500, 500-KG, RETARDED, GENERAL PURPOSE (GP)  
BRP-500, PARACHUTE RETARDED  
BRP 375, GP, PARA RETARDED  
BRP 50, GP, PARACHUTE RETARDED





## FRENCH PROJECILE FUZE, MT, FH-81B

Ordnance used with:  
 L28A2, 81 MM, MORTAR, ILLUMINATION  
 M68, 81MM, ILLUM  
 MK 68, 81MM, ILLUM  
 1962  
 81 HB 62  
 MK 62, CARTRIDGE, 81-MM, ILLUM  
 MK 62 ED, CARTRIDGE, 120-MM, ILLUMINATING



TIP

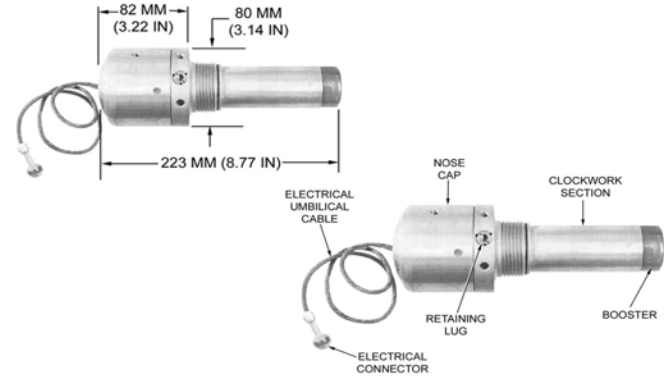


## IRAQI ROCKET FUZE, PROXIMITY, BM21, MODIFIED

Ordnance used with:  
 S-25 OFM, 266-MM, AIR-TO-SURFACE, HE (340-MM)  
 S-25 OFME, 266-MM, AIR-TO-SURFACE, HE (340-MM) (EXPORT)  
 AS-7B, KERRY, KH-23M

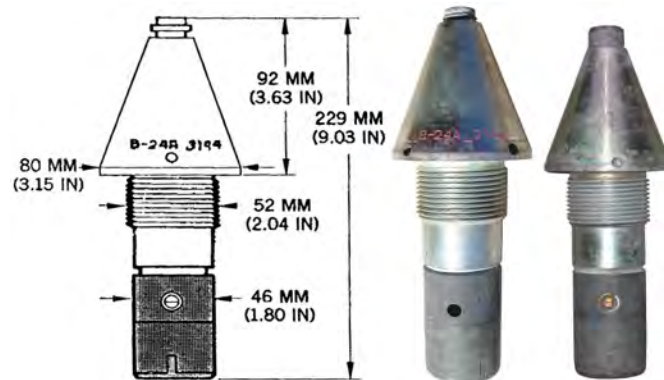
## U.S.S.R. BOMB FUZE, NOSE AND TAIL, LONG DELAY, AVPZ

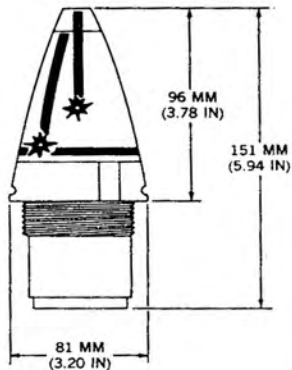
Ordnance used with:  
FAB-1500 M54, BOMB, GENERAL PURPOSE  
FAB-3000 M54, GENERAL PURPOSE



## U.S.S.R. ROCKET FUZE, NOSE, PD, V-24A

Ordnance used with:  
F-961, 240 MM, SPIN STABILIZED, HE, SURFACE-TO-SURFACE  
F-961U, 240 MM, SPIN STABILIZED, HE, SURFACE-TO-SURFACE  
S-24, 240-MM, FIXED FIN, HE, AIR-TO-SURFACE





## FRENCH PROJECTILE FUZE, PROXIMITY, MODEL FU-RALEC-DE-F3

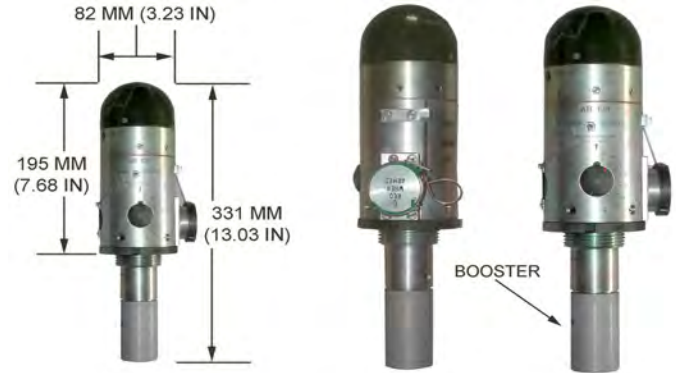
Ordnance used with:  
 MODEL 56, 155MM, HE  
 MODEL 56/69, 155-MM, HE  
 OE 155 56/69, 155-MM, HE  
 TYPE 56/69, 155-MM, HE  
 F1, 155 MM, HE  
 OE 155 F1, 155-MM, HE  
 SVT 75, S&A DEVICE, FUZE

N.E.W. 22.00 G



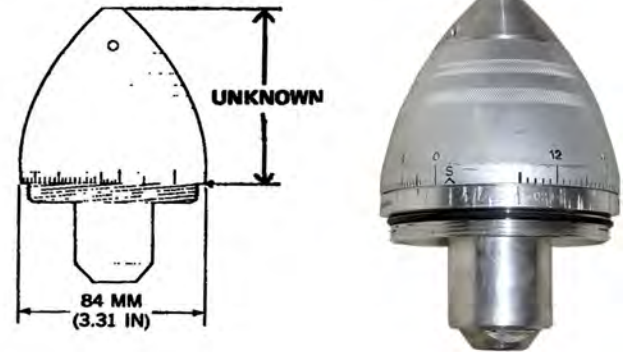
## SOUTH AFRICAN BOMB FUZE, NOSE, PROXIMITY, AB 103

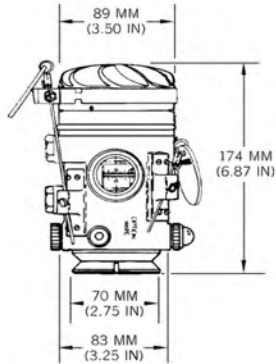
## SOUTH AFRICAN BOMB FUZE, PROXIMITY, AB 108



## SWEDISH PROJECTILE FUZE, TIME & IMPACT, FFV 64C

Ordnance used with:  
FFV 64D, 84-MM, CARTRIDGE, APERS  
L43A1, 84MM, CARTRIDGE, APERS  
FFV 64D, 84-MM, APERS  
L43A1, 84MM, APERS



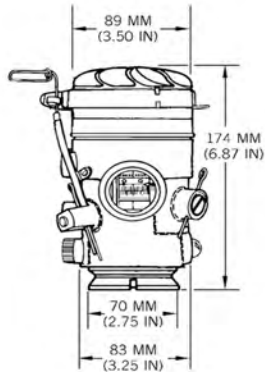


### U.S. BOMB FUZE, NOSE, MT, MK 339 MOD 0

Ordnance used with:

- MJU-1/B, 750 LB, COUNTERMEASURES (CHAFF)
- MK 7 MOD 2, DISPENSER
- MK 7 MOD 3, DISPENSER
- MK 7 MOD 4, DISPENSER
- MK 7 MOD 6, DISPENSER
- SUU-30A/B, DISPENSER
- SUU-30B/B, DISPENSER

N.E.W. 6.00 G



### U.S. BOMB FUZE, NOSE, MT, MK 339 MOD 1

Ordnance used with:

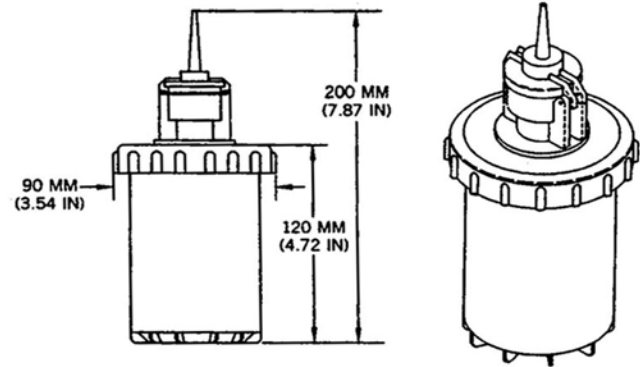
- MJU-1/B, 750 LB, COUNTERMEASURES (CHAFF)
- MK 7 MOD 2, DISPENSER
- MK 7 MOD 3, DISPENSER
- MK 7 MOD 4, DISPENSER
- MK 7 MOD 6, DISPENSER
- SUU-30/B, DISPENSER
- SUU-30A/B, DISPENSER

N.E.W. 0.27 G

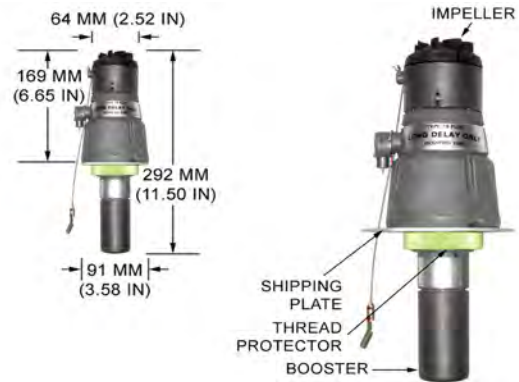


## ITALIAN LANDMINE, P-40 TYPE 1

Ordnance used with:  
P-25, APERS, HE  
P-40 TYPE 1, APERS, BOUNDING  
P-40 TYPE 2, APERS



## FRENCH BOMB FUZE, NOSE, LONG DELAY, MATRA, TYPE 19, (MODIFIED)





**TERRORIST/INSURGENT & GUERRILLA ORG FIRING  
DEVICE, IMPROVISED, RADIO CONTROLLED (R/C),  
WIRELESS DOORBELL, QUSUN**



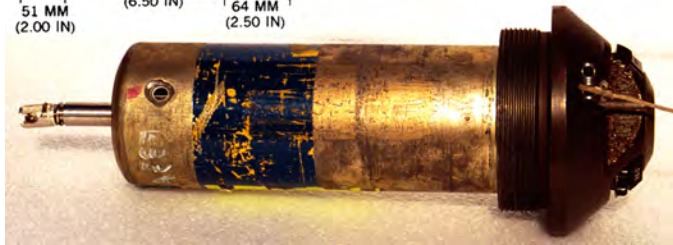
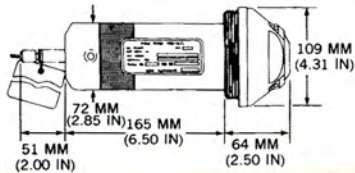
**TERRORIST/INSURGENT & GUERRILLA ORG FIRING  
DEVICE, IMPROVISED, RADIO CONTROLLED (R/C),  
WIRELESS DOORBELL, QUSUN**

**TERRORIST/INSURGENT & GUERRILLA ORG FIRING  
DEVICE, IMPROVISED, RADIO CONTROLLED (R/C),  
WIRELESS DOORBELL, QUSUN**



**TERRORIST/INSURGENT & GUERRILLA ORG FIRING  
DEVICE, IMPROVISED, RADIO CONTROLLED (R/C),  
WIRELESS DOORBELL, QUSUN**



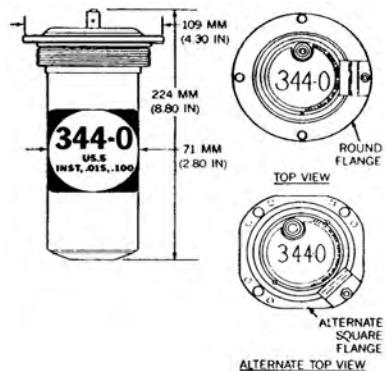


## U.S. BOMB FUZE, IMPACT, SHORT-DELAY, NOSE AND/OR TAIL, FMU-81/B

Ordnance used with:

- GBU-10/B, BOMB UNIT, GUIDED
- GBU-10A/B, BOMB UNIT, GUIDED
- GBU-10C/B, BOMB UNIT, GUIDED
- GBU-10D/B, BOMB UNIT, GUIDED
- GBU-10E/B, BOMB UNIT, GUIDED
- GBU-11/B, BOMB UNIT, GUIDED
- GBU-11A/B, BOMB UNIT, GUIDED

N.E.W. 50.00 G



## U.S. BOMB FUZE, TAIL, ELECTRIC, MK 344 MOD 0

Ordnance used with:

- M117A3
- BDU-45/B, BOMB UNIT, SIMULATED
- DSU-30/B, BOMB TARGET DETECTING DEVICE
- DSU-33A(D-2)/B, SENSING ELEMENT, DUMMY
- DSU-33A/B, SENSING ELEMENT, PROXIMITY
- GBU-10/B, BOMB UNIT, GUIDED
- GBU-10A/B, BOMB UNIT, GUIDED

N.E.W. 114.00 G

## U.S. BOMB FUZE, TAIL, ELECTRIC, MK 344 MOD 1

Ordnance used with:

M117A3

BDU-45/B, BOMB UNIT, SIMULATED

DSU-30/B, BOMB TARGET DETECTING DEVICE

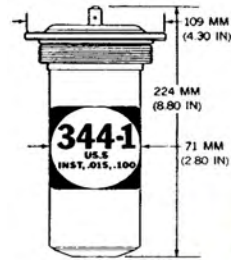
DSU-33A(D-2)/B, SENSING ELEMENT, DUMMY

DSU-33A/B, SENSING ELEMENT, PROXIMITY

GBU-10/B, BOMB UNIT, GUIDED

GBU-10A/B, BOMB UNIT, GUIDED

N.E.W. 114.00 G



## U.S. BOMB FUZE, TAIL, ELECTRIC, MK 376 MOD 0

Ordnance used with:

BDU-45/B, BOMB UNIT, SIMULATED

DSU-30/B, BOMB TARGET DETECTING DEVICE

DSU-33A(D-2)/B, SENSING ELEMENT, DUMMY

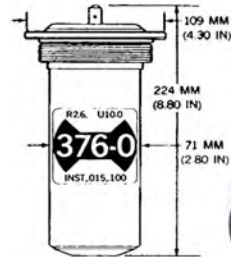
DSU-33A/B, SENSING ELEMENT, PROXIMITY

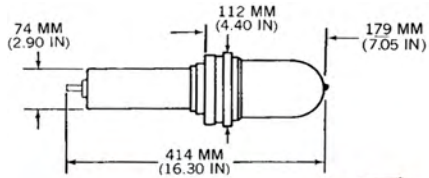
GBU-10/B, BOMB UNIT, GUIDED

GBU-10A/B, BOMB UNIT, GUIDED

GBU-12/B, BOMB UNIT, GUIDED

N.E.W. 114.00 G





## U.S. BOMB FUZE, PROXIMITY, FMU-56B/B

Ordnance used with:

MK 7 MOD 2, DISPENSER

MK 7 MOD 3, DISPENSER

MK 7 MOD 4, DISPENSER

MK 7 MOD 6, DISPENSER

SUU-30B/B, DISPENSER

SUU-30H/B, DISPENSER

SUU-51A/B, DISPENSER, AIRCRAFT

N.E.W. 5.50 G

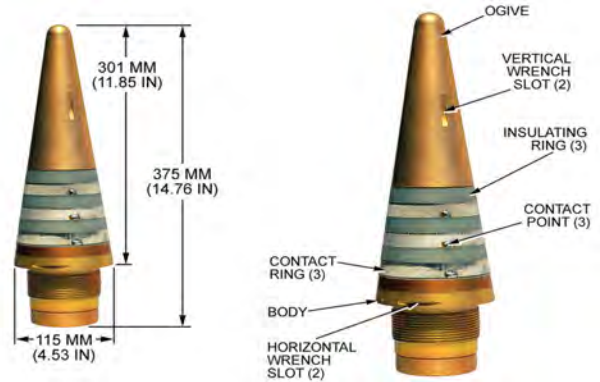


## U.S.S.R. DEPTH CHARGE FUZE, TIME, K-3M

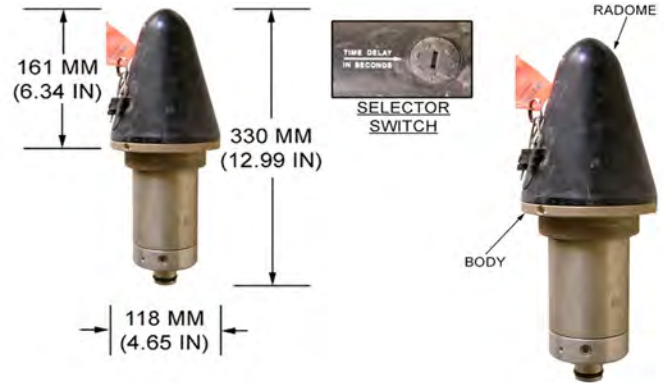
## YUGOSLAV ROCKET FUZE, ELECTRONIC TIME, UTE, M85B

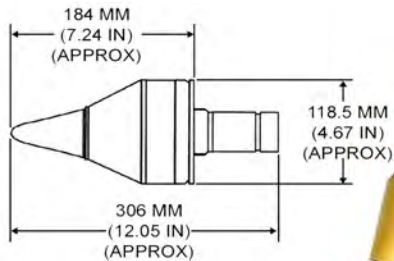
Ordnance used with:  
ABABEL 50, 262MM, HE, M87

N.E.W. 7.50 G



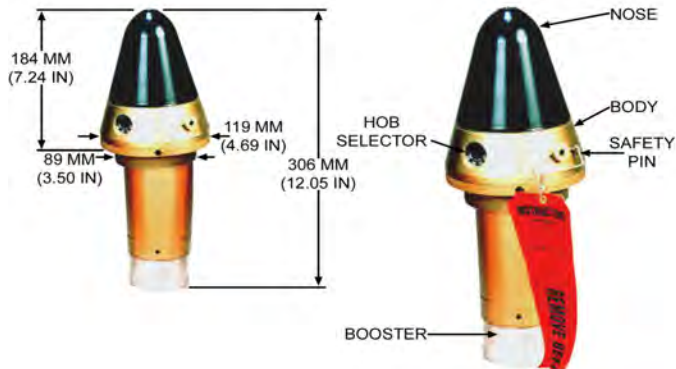
## SOUTH AFRICAN BOMB FUZE, NOSE, PROXIMITY, JUPITER 3





## SOUTH AFRICAN BOMB FUZE, NOSE, PROXIMITY, JUPITER 4

Ordnance used with:  
 BL 74  
 BL EU2FR, 250 KG, HE/FRAG



## SOUTH AFRICAN BOMB FUZE, NOSE, PROXIMITY, JUPITER 6

Ordnance used with:  
 CB 470, CLUSTER BOMB, 450 KG  
 MK 83, BOMB, FRAGMENTATION, 415 KG  
 MK 82, BOMB, FRAGMENTATION, 226 KG  
 MK 81, BOMB, FRAGMENTATION, 122 KG

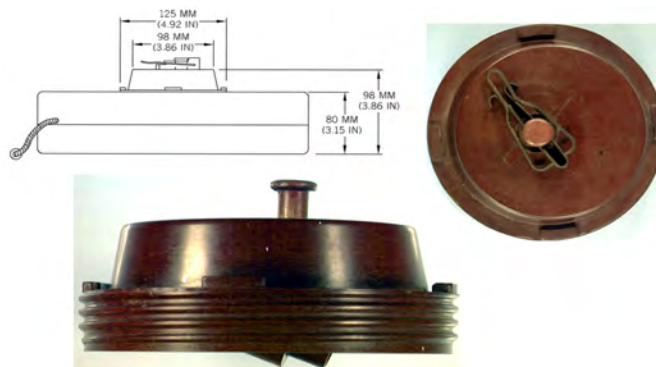


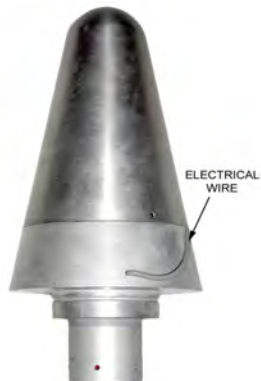
## U.S.S.R. FIRING DEVICE, GP



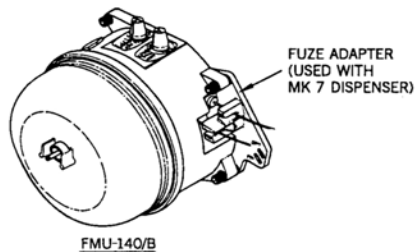
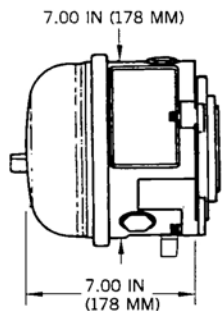
## ROMANIAN LANDMINE FUZE, AT, P-62

Ordnance used with:  
MAT-76, ANTITANK





**UNKNOWN COUNTRY ROCKET FUZE, TYPE AND MODEL UNKNOWN**



**U.S. BOMB FUZE, NOSE, PROXIMITY, FMU-140/B**

Ordnance used with:  
 MK 7 MOD 2, DISPENSER  
 MK 7 MOD 3, DISPENSER  
 MK 7 MOD 4, DISPENSER  
 MK 7 MOD 6, DISPENSER  
 SUU-58/B, DISPENSER  
 CBU-99A/B  
 SUU-75A/B, DISPENSER  
 N.E.W. 0.00 LB

## U.S. BOMB FUZE, NOSE, PROXIMITY, FMU-140A/B

Ordnance used with:

MK 7 MOD 2, DISPENSER

MK 7 MOD 3, DISPENSER

MK 7 MOD 4, DISPENSER

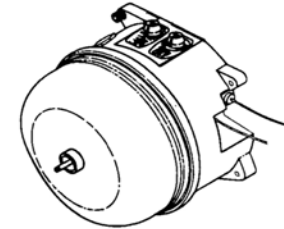
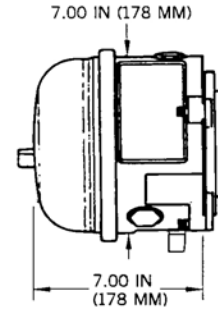
MK 7 MOD 6, DISPENSER

SUU-58/B, DISPENSER

SUU-75/B, DISPENSER

CBU-99B/B

N.E.W. 1.00 G



FMU-140A/B

## U.K. IGNITION CARTRIDGE, MK 1/1

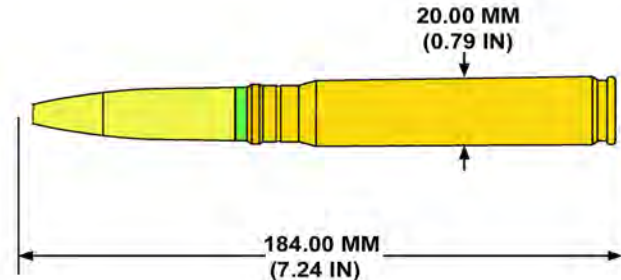
Ordnance used with:  
MK 1/1, 2 INCH, TP, MORTAR  
MK 2/1, 2 INCH, ILLUMINATION, MORTAR  
MK 2/2, 2 INCH, SMOKE, MORTAR

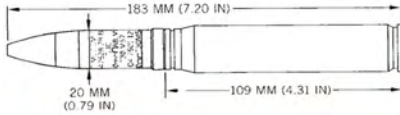


---

## YUGOSLAV CARTRIDGE, 20-MM, HE-T, M57

Ordnance used with:  
UT M57, PROJECTILE, PDSD  
UTM57-SM, PROJECTILE, PDSD

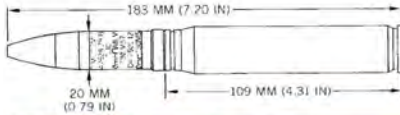




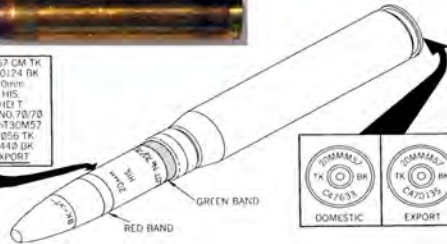
## YUGOSLAV CARTRIDGE, 20-MM, HEI, M57

Ordnance used with:  
 UT M57, PROJECTILE, PDS  
 UTM57-SM, PROJECTILE, PDS  
 T/3C, 20-MM, HEI  
 M55, AIR DEFENSE GUN, 20MM, TRIPLE BARREL  
 M75, AIR DEFENSE GUN, 20MM, TOWED  
 BOV-3, AIR DEFENSE GUN, 20MM, SELF-PROPELLED

N.E.W. 43.50 G



YT M57 CM TK	YTM57 CM TK
C47628 28 BK	C470124 BK
T/3C	20mm
20mm T3CM55	HEI-T
T30 M57	L01 NO. 1707B
C4 7651 12	20mm T3CM57
20mm T30M57	C47656 TK
C47619 TK	C47418 BK
10005 BK	EXPORT
DOMESTIC	



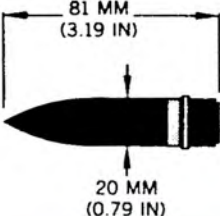
## YUGOSLAV CARTRIDGE, 20-MM, HEI-T, M57

Ordnance used with:  
 UT M57, PROJECTILE, PDS  
 UTM57-SM, PROJECTILE, PDS  
 M57, 20 MM, HEI-T  
 TZ0, M57  
 T/3C, 20 MM, HEI-T  
 M55, AIR DEFENSE GUN, 20MM, TRIPLE BARREL  
 M75, AIR DEFENSE GUN, 20MM, TOWED

N.E.W. 44.50 G

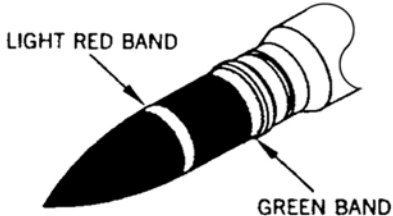
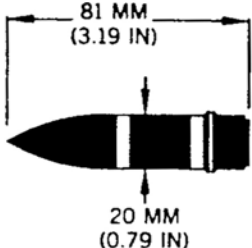
**YUGOSLAV PROJECTILE, 20-MM, AP-T, M60**

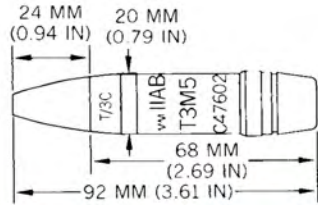
Ordnance used with:  
M60, CARTRIDGE, 20MM X 110MM, AP-T



**YUGOSLAV PROJECTILE, 20-MM, API-T, M60**

Ordnance used with:  
M60, CARTRIDGE, 20MM X 110MM, API-T





## YUGOSLAV PROJECTILE, 20-MM, HEI, M57

Ordnance used with:

UT M57, PROJECTILE, PDS

UTM57-SM, PROJECTILE, PDS

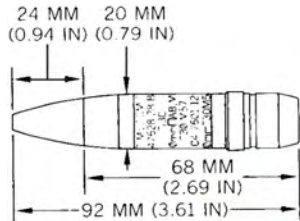
T/3C, 20-MM, HEI

M55, AIR DEFENSE GUN, 20MM, TRIPLE BARREL

M75, AIR DEFENSE GUN, 20MM, TOWED

BOV-3, AIR DEFENSE GUN, 20MM, SELF-PROPELLED

N.E.W. 43.50 G



## YUGOSLAV PROJECTILE, 20-MM, HEI-T, M57

Ordnance used with:

UT M57, PROJECTILE, PDS

UTM57-SM, PROJECTILE, PDS

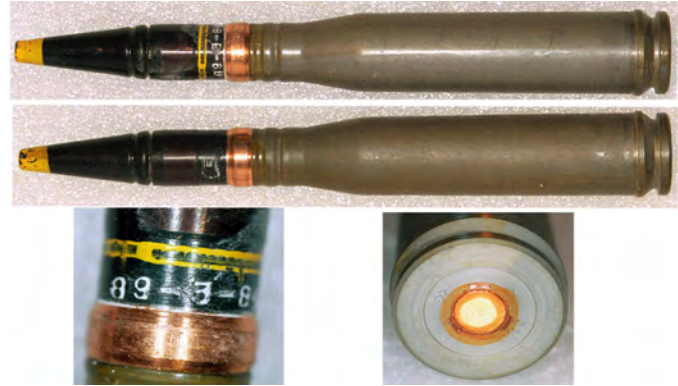
M57, 20-MM, CARTRIDGE, HEI-T (20MM X 110MM)

TZO M57

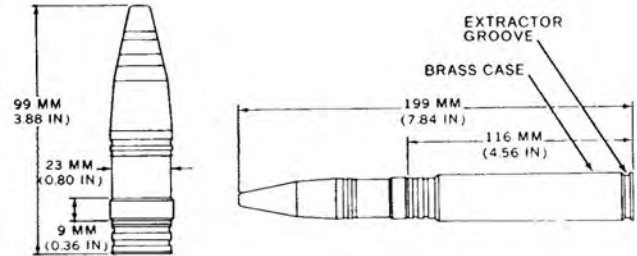
N.E.W. 8.50 G

## U.S.S.R. CARTRIDGE, 23-MM, API-T MODEL BZT

Ordnance used with:  
BZT, 23-MM, API-T  
ZUR-23-2S, GUN/MISSILE AIR DEFENSE SYSTEM, 23MM, TOWED  
ZU-23, AIR DEFENSE GUN, 23MM, TWIN, TOWED  
ZSU-23-4, AIR DEFENSE GUN, 23MM, QUAD, SELF-PROPELLED  
SKYWIPE, AIR DEFENSE GUN, 23MM, TWIN, TOWED



## U.S.S.R. PROJECTILE, 23-MM, API, MODEL BZA-23

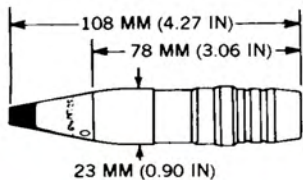






### U.S.S.R. PROJECTILE, 23-MM, API-T MODEL BZT

Ordnance used with:  
BZT, 23MM X 152BMM, CARTRIDGE, API-T



### U.S.S.R. PROJECTILE, 23-MM, FRAG-HEIT, MODEL OFZT

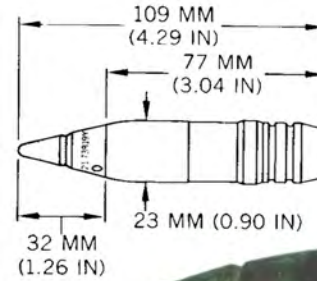
Ordnance used with:  
OFZT, CARTRIDGE, 23MM X 152BMM, FRAG-HEIT  
MG-25, FUZE, PROJECTILE, PDSD  
B-23M, PROJECTILE, PD



N.E.W. 13.00 G

## U.S.S.R. PROJECTILE, 23-MM, HEI-FRAG, OFZ

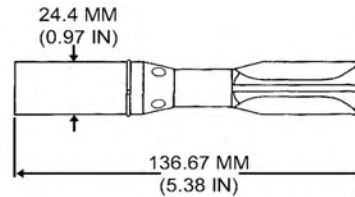
Ordnance used with:  
V-19U, PROJECTILE, PDS  
OFZ, CARTRIDGE, 23-MM, HEI, (23MM X 152MM)  
V19UK, PROJECTILE, PDS  
B-23M, PROJECTILE, PD

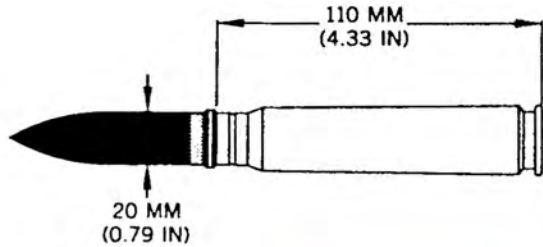


N.E.W. 19.00 G

## YUGOSLAV PROJECTILE, TRAINING, SUBCALIBER, M62

Ordnance used with:  
MODEL UNKNOWN, PD, PROJECTILE, PRACTICE





### YUGOSLAV CARTRIDGE, 20-MM, AP-T, M60

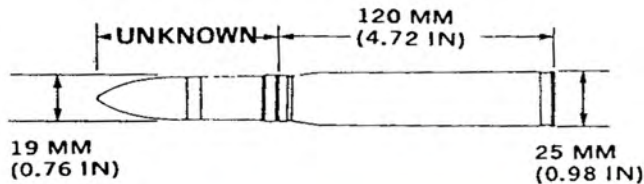
Ordnance used with:

M60, 20 MM, APT

M55, AIR DEFENSE GUN, 20MM, TRIPLE BARREL

M75, AIR DEFENSE GUN, 20MM, TOWED

BOV-3, AIR DEFENSE GUN, 20MM, SELF-PROPELLED



### YUGOSLAV CARTRIDGE, 20-MM, API, M60

Ordnance used with:

M60, 20 MM, API

M55, AIR DEFENSE GUN, 20MM, TRIPLE BARREL

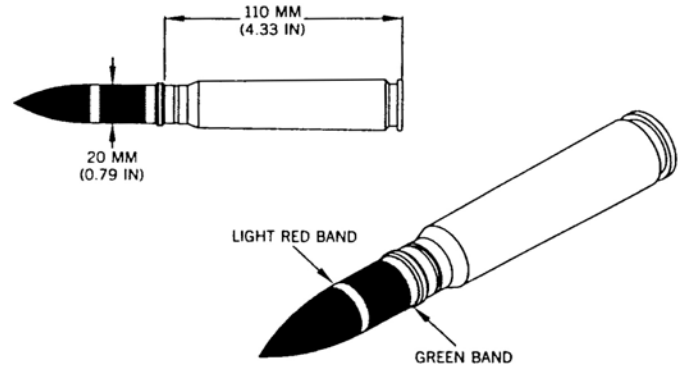
M75, AIR DEFENSE GUN, 20MM, TOWED

BOV-3, AIR DEFENSE GUN, 20MM, SELF-PROPELLED



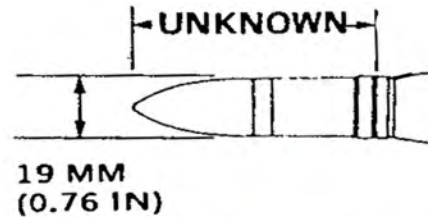
## YUGOSLAV CARTRIDGE, 20-MM, API-T, M60

Ordnance used with:  
M60, 20-MM, API-T  
M55, AIR DEFENSE GUN, 20MM, TRIPLE BARREL  
M75, AIR DEFENSE GUN, 20MM, TOWED  
BOV-3, AIR DEFENSE GUN, 20MM, SELF-PROPELLED



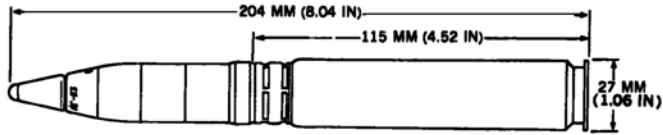
## YUGOSLAV PROJECTILE, 20-MM, API, M60

Ordnance used with:  
M60, CARTRIDGE, 20MM X 110MM, API API



N.E.W. 8.00 G

### U.S.S.R. CARTRIDGE, 23-MM, FRAG-HEI, OFZ



Ordnance used with:  
AG-23, PROJECTILE, PD  
OFZ, 23-MM, FRAG-HEI



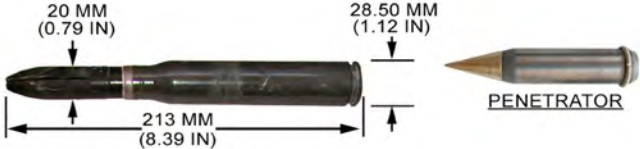
---

### U.S.S.R. CARTRIDGE, 23-MM, HEI-T, OFZT

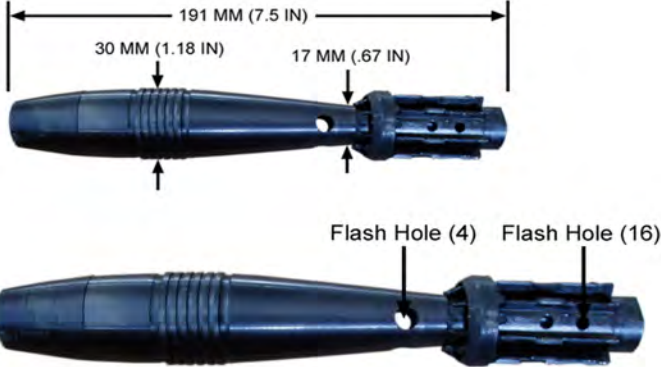


Ordnance used with:  
B-23A, FUZE, PROJECTILE, PD  
OFZT, 23-MM, HEI-T

**GERMAN CARTRIDGE, 20-MM, HVAPDS-T, DM 63**

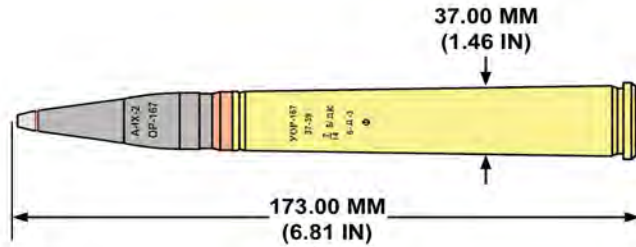


**COUNTRY UNKNOWN PROJECTILE, SUBCALIBER, TRAINING, MODEL UNKNOWN**



N.E.W. 38.75 G

**CZECHOSLOVOKIAN CARTRIDGE, 30-MM, HEI-T,  
JPSV**



**CZECHOSLOVOKIAN PROJECTILE, 30-MM, HEI-T,  
JFSV**

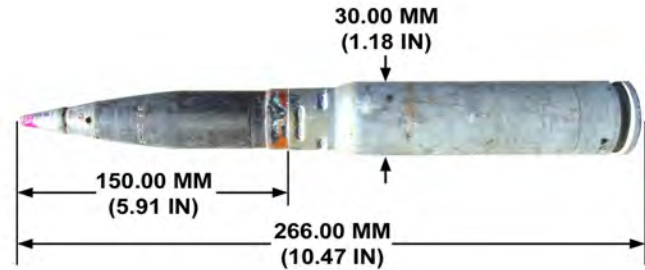


Ordnance used with:  
M69, 30-MM, HE-T, CARTRIDGE  
CZ-301A, PROJECTILE, PDS  
UT M69 SM, PROJECTILE, PDS  
UNKNOWN, CARTRIDGE, 30-MM, HE

N.E.W. 35.00 G

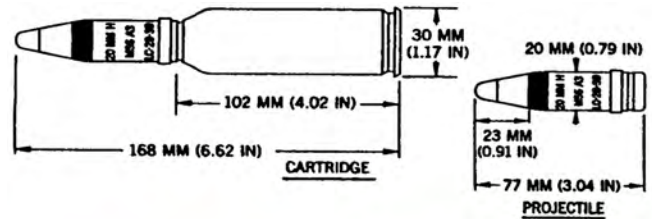
## RUSSIAN CARTRIDGE, 30-MM, HEI, OFZ

Ordnance used with:  
A-30U, PROJECTILE, PD



## U.S. CARTRIDGE, 20-MM, HEI, M56A3

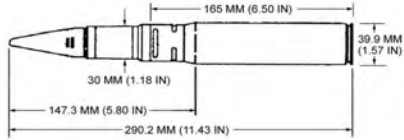
Ordnance used with:  
M505A3, PROJECTILE, PDSQ  
M56A3, 20MM, HEI  
M56A4, 20-MM, HEI  
M56E5, 20-MM, HEI  
M103, CARTRIDGE CASE



N.E.W. 48.00 G

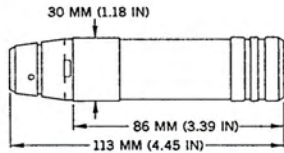


## U.S.S.R. CARTRIDGE, 30-MM, AP-T, BT-30



Ordnance used with:  
BT-30, 30MM X 165MM, CARTRIDGE, AP-T

## U.S.S.R. PROJECTILE, 30-MM, FRAG, VOG-17M



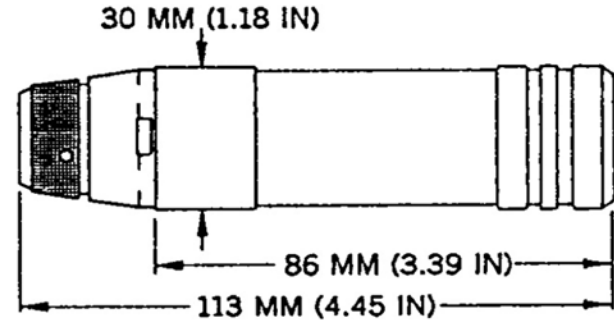
Ordnance used with:  
VMG, PROJECTILE, PD  
7P9M, CARTRIDGE, 30MM, FRAG  
VOG-17M, CARTRIDGE, 30MM, FRAG  
VMG-M, PROJECTILE, PDSD

N.E.W. 33.23 G

## U.S.S.R. PROJECTILE, 30-MM, FRAG, VOG-26

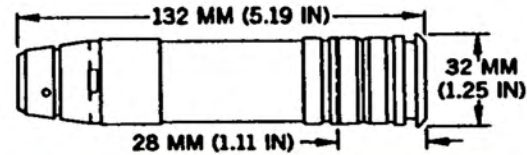
Ordnance used with:  
VOG-26, 30-MM, CARTRIDGE, FRAG  
VMG, PROJECTILE, PD  
VMG-M, PROJECTILE, PDSD

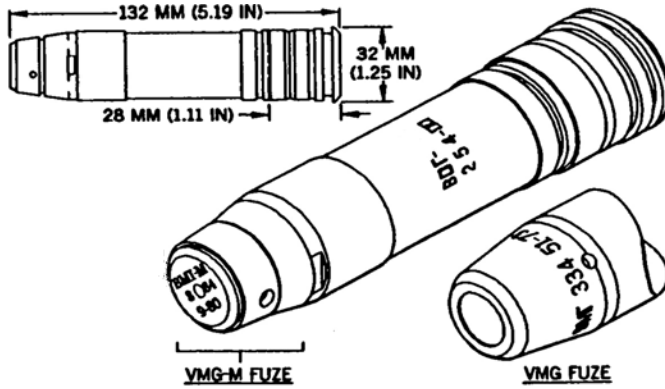
N.E.W. 33.00 G



## U.S.S.R. CARTRIDGE, 30-MM, FRAG, VOG-17M

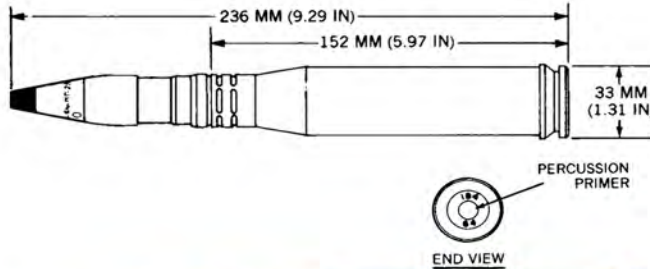
Ordnance used with:  
VMG, PROJECTILE, PD  
VMG-M, PROJECTILE, PDSD  
7P9M, 30-MM, FRAGMENTATION  
VOG-17M, 30-MM, FRAGMENTATION





### U.S.S.R. CARTRIDGE, 30-MM, FRAG, VOG-26

Ordnance used with:  
 VMG, PROJECTILE, PD  
 VMG-M, PROJECTILE, PDS  
 VOG-26, 30-MM, FRAGMENTATION



### U.S.S.R. CARTRIDGE, 23-MM, FRAG-HEIT, MODEL OFZT

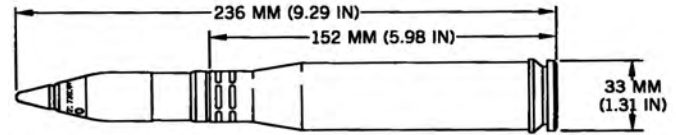
Ordnance used with:  
 MG-25, FUZE, PROJECTILE, PDS  
 OFZT, 23MM, FRAG-HEIT  
 OFZT, 23-MM, HEI-T  
 ZUR-23-2S, GUN/MISSILE AIR DEFENSE SYSTEM, 23MM, TOWED  
 ZU-23, AIR DEFENSE GUN, 23MM, TWIN, TOWED  
 ZSU-23-4, AIR DEFENSE GUN, 23MM, QUAD, SELF-PROPELLED  
 SKYWIPE, AIR DEFENSE GUN, 23MM, TWIN, TOWED



## U.S.S.R. CARTRIDGE, 23-MM, HEI-FRAG, OFZ

Ordnance used with:  
V-19U, PROJECTILE, PDSD  
OFZ, 23-MM, HEI  
V19UK, PROJECTILE, PDSD  
ZU-23, AIR DEFENSE GUN, 23MM, TWIN, TOWED  
ZSU-23-4, AIR DEFENSE GUN, 23MM, QUAD, SELF-PROPELLED  
SKYWIPE, AIR DEFENSE GUN, 23MM, TWIN, TOWED

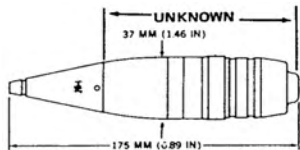
N.E.W. 103.00 G



## SWEDISH PROJECTILE, 35-MM, AHEAD, PFHE

Ordnance used with:  
GDF-001, AIR DEFENSE GUN, 35MM, TWIN  
GDF-002, AIR DEFENSE GUN, 35MM, TWIN  
GDF-003, AIR DEFENSE GUN, 35MM, TWIN  
GDF-005, AIR DEFENSE GUN, 35MM, TWIN  
GDM008, 35-MM, NAVAL GUN SYSTEM, MILLENIUM  
AHEAD, 35MM X 228MM, CARTRIDGE, PFHE  
BZD 383, PROJECTILE, ET, BSD (AHEAD)





## CHINESE PROJECTILE, 37-MM, FRAG-T, TYPE UNKNOWN



Ordnance used with:  
ML-1A  
ML1A, PROJECTILE, PD  
ML-1, PROJECTILE, PDS  
ML1, PROJECTILE, PDS  
TYPE 1, PROJECTILE, PDS  
TYPE 55, 37MM X 253RMM, CARTRIDGE, HE-T

N.E.W. 50.00 G



## CHINESE PROJECTILE, 37-MM, TYPE 55, AP-T



Ordnance used with:  
TYPE 55, CARTRIDGE, 37MM X 253R, AP-T

N.E.W. 13.00 G

## U.S.S.R. CARTRIDGE, 37-MM, AP-T, BZT

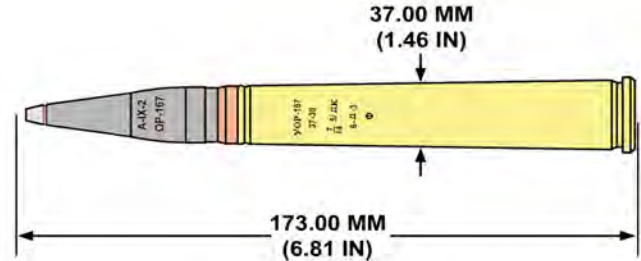
Ordnance used with:  
BZT, 37-MM, AP-T



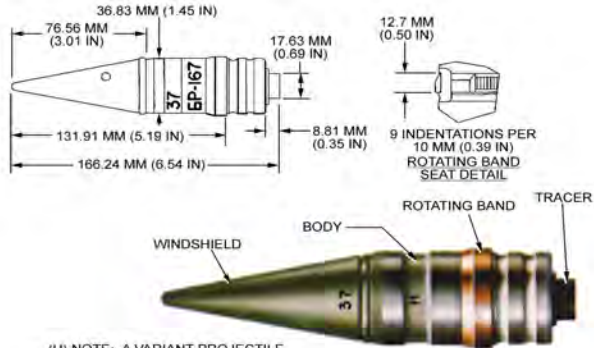
---

## U.S.S.R. CARTRIDGE, 37-MM, FRAG-T, UOR-167

Ordnance used with:  
B-37, PROJECTILE, PDSD  
MG-37, PROJECTILE, PDSD  
MG-8, PROJECTILE, PDSD  
OR-167, 37-MM, FRAG-T



## U.S.S.R. PROJECTILE, 37-MM, AP-T, BR-167

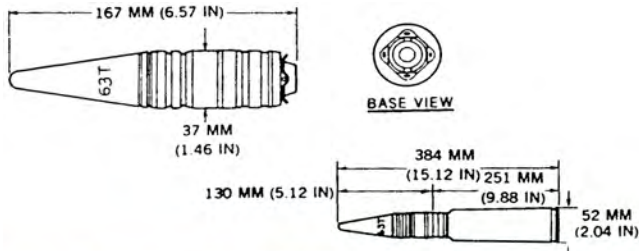


(U) NOTE: A VARIANT PROJECTILE HAS TWO BREAKOFF GROOVES AND A BOATTAIL

Ordnance used with:  
UBR-167, 37-MM, CARTRIDGE, AP-T (253RMM)

N.E.W. 12.25 G

## U.S.S.R. PROJECTILE, 37-MM, AP-T, TYPE BZT

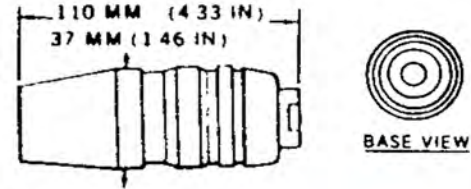


Ordnance used with:  
BZT, 37MM, CARTRIDGE, AP-T



## U.S.S.R. PROJECTILE, 37-MM, FRAG-T, MODEL OR-167

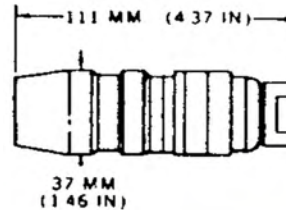
Ordnance used with:  
B-37, PROJECTILE, PDS  
MG-10, PROJECTILE, PD  
MG-37, PROJECTILE, PDS  
MG-8, PROJECTILE, PDS  
UOR-167, 37-MM, CARTRIDGE, FRAG-T



N.E.W. 35.00 G

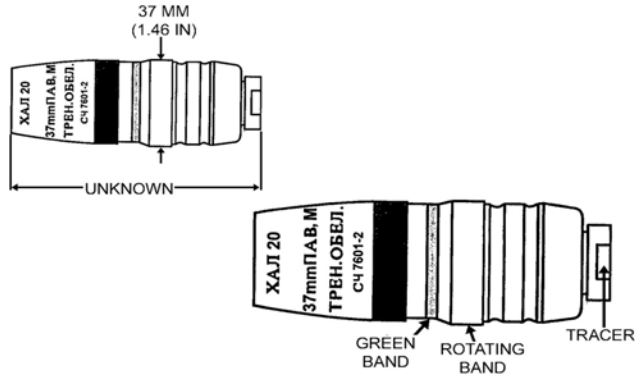
## U.S.S.R. PROJECTILE, 37-MM, FRAG-T, MODEL OR-167N

Ordnance used with:  
B-37, PROJECTILE, PDS  
MG-37, PROJECTILE, PDS  
MG-8, PROJECTILE, PDS  
UOR-167N, 37-MM X 253RMM, CARTRIDGE, FRAG-T  
UOR-167N, 37-MM, CARTRIDGE, FRAG-T



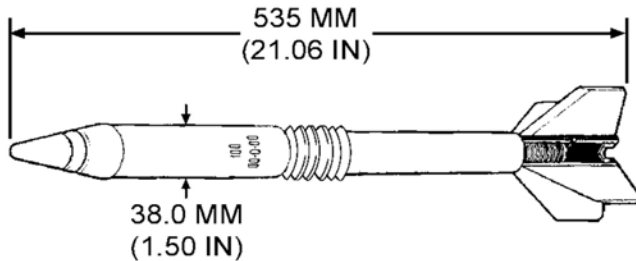
N.E.W. 35.00 G





## YUGOSLAV PROJECTILE, 37-MM, HE-T, M39

Ordnance used with:  
UM-8, PROJECTILE, PDS  
A-37U, PROJECTILE, PDS  
B-37, PROJECTILE, PDS  
MG-10, PROJECTILE, PDS  
MG-37, PROJECTILE, PDS  
MG-8, PROJECTILE, PDS  
UM-8, PROJECTILE, PDS  
N.E.W. 35.60 G

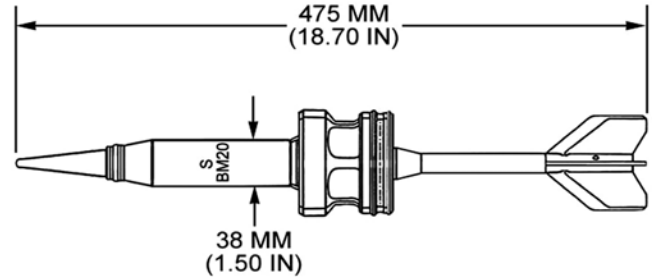


## U.S.S.R. PROJECTILE, 100-MM, APFSDS-T, BM-2 (PENETRATOR)

Ordnance used with:  
UBM-2, CARTRIDGE, 100-MM, APFSDS

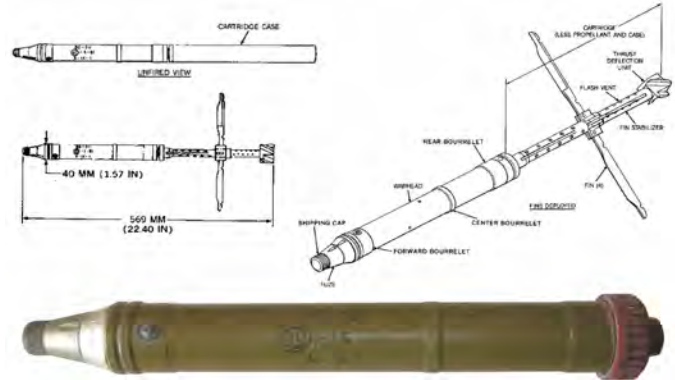
## U.S.S.R. PROJECTILE, 100-MM, APFSDS-T, BM-20

Ordnance used with:  
UBM-8, CARTRIDGE, 100-MM, APFSDS



## BULGARIAN GRENADE, 40-MM, HE, MODEL OG-7V

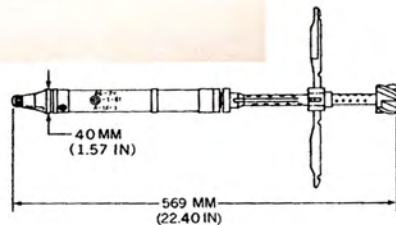
Ordnance used with:  
OG-7V, 40MM, CARTRIDGE, FRAG  
OG-7V, 40MM, HE  
M-6  
M6, PROJECTILE, PD  
O-4M, PROJECTILE, PD  
OG-7VM, CARTRIDGE, 40MM, FRAGMENTATION



N.E.W. 219.50 G



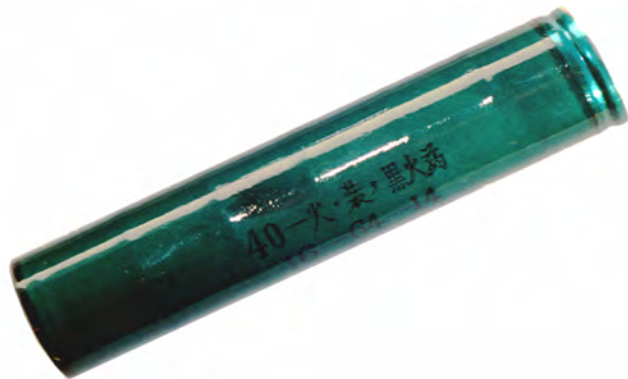
## BULGARIAN GRENADE, 40-MM, HE, MODEL OG-7V



Ordnance used with:  
GO-2, PROJECTILE, PD  
O-4M, PROJECTILE, PD  
OG-7, 40MM, FRAG

N.E.W. 340.50 G

---

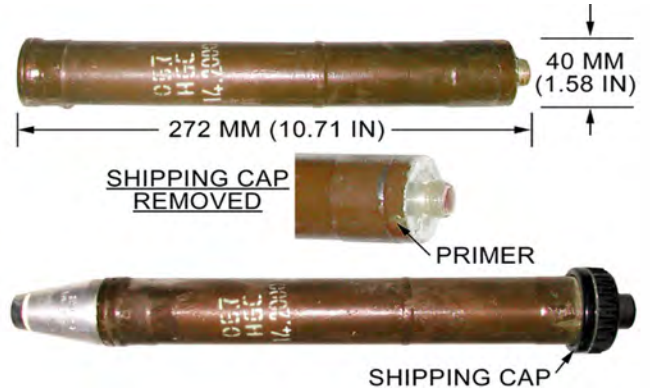


## CHINESE PROPELLING CHARGE, PG-2

Ordnance used with:  
PG-2, 80MM, HEAT  
TYPE 56, 80MM, HEAT  
PG-2, 80MM, CARTRIDGE, HEAT  
TYPE 56, 80MM, CARTRIDGE, HEAT

---

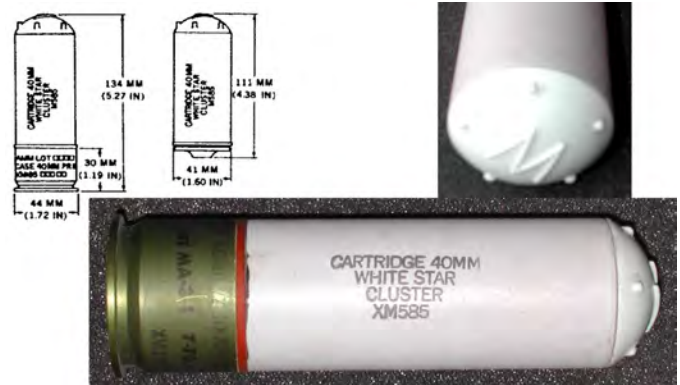
## IRAQI PROJECTILE, 40-MM, HE, OG-7



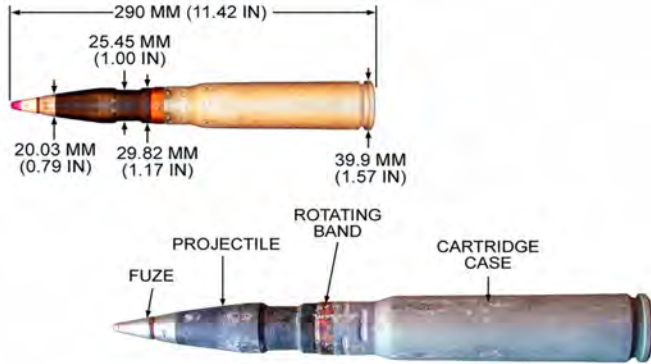
N.E.W. 210.00 G

## U.S. CARTRIDGE, 40-MM, CLUSTER STAR, XM585

Ordnance used with:  
XM585, 40-MM, WHITE STAR

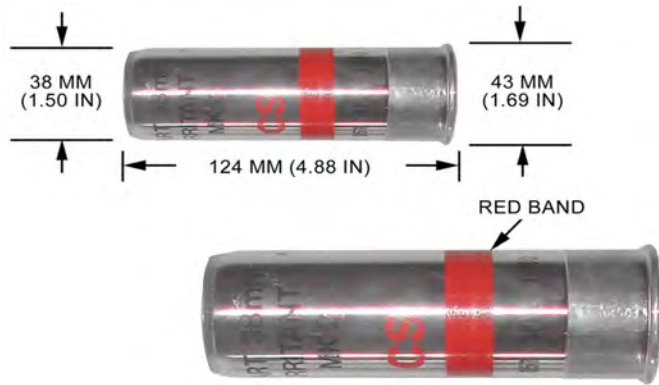


N.E.W. 96.00 G



## U.S.S.R. CARTRIDGE, 30-MM, HE-T, OT

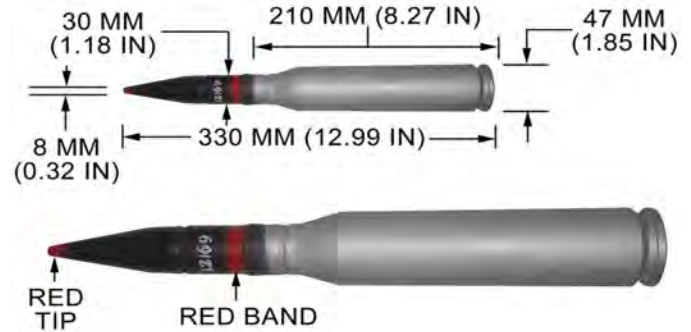
Ordnance used with:  
 FT, 30-MM, HE-T  
 OR-84, 30MM, HE-T  
 OT, 30-MM, HE-T  
 OT-30, 30-MM, HE-T  
 A-670M, PROJECTILE, PDS  
 A670M, PROJECTILE, PDS  
 MG-32, PROJECTILE, PDS



## U.K. CARTRIDGE, 38-MM, RIOT-CONTROL, MK 2

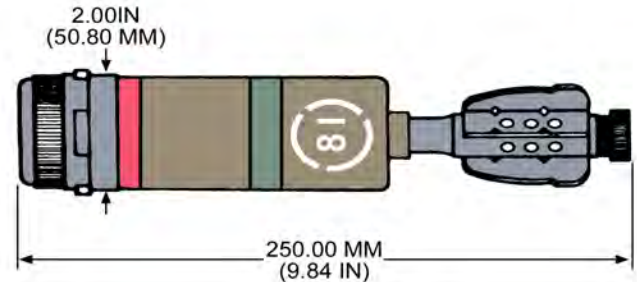
## CZECHOSLOVOKIAN CARTRIDGE, 30-MM, API-T, JPZSV

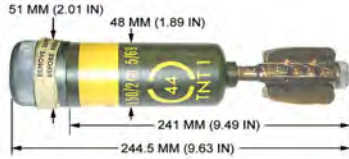
Ordnance used with:  
M53, AIR DEFENSE GUN, 30MM, TWIN



## U.K. MORTAR, 2-INCH, HE, MODEL UNKNOWN

Ordnance used with:  
NO. 161 MKS 3/2, PD, PROJECTILE  
NO. 161 MK 4, PD, PROJECTILE

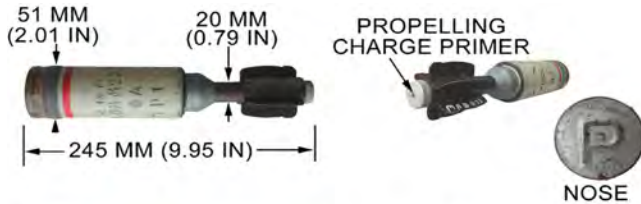




## U.K. PROJECTILE, 2-INCH, HE, MK 1

Ordnance used with:  
 NO. 161 MKS 3/2, PD, PROJECTILE  
 NO. 161 MK 4, PD, PROJECTILE  
 NO. 162 MK 1/1, PROJECTILE, PD

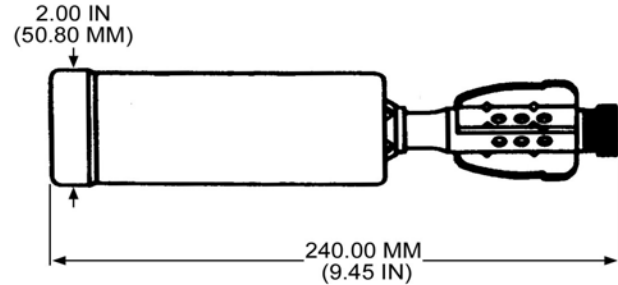
NOTE: BODY MAY BE PAINTED BROWN WITH A 7 MM RED STRIPE ADJACENT TO THE FUZE WELL AND A 12 MM GREEN STRIPE NEAR THE BASE OF THE PROJECTILE.



## U.K. PROJECTILE, 2-INCH, ILLUMINATION, MORTAR, MK 2/1

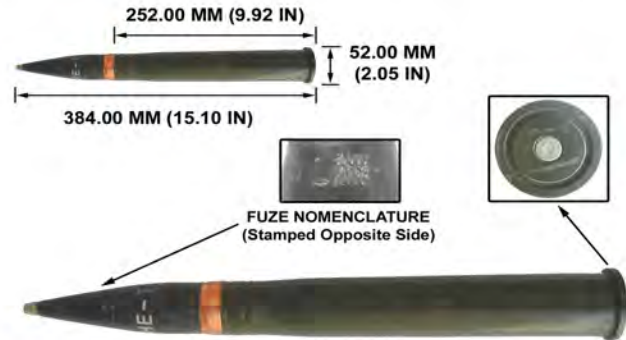
Ordnance used with:  
 MK 1/1, PROPELLING CHARGE

**U.K. PROJECTILE, 2-INCH, MORTAR, SMOKE, MODEL UNKNOWN**

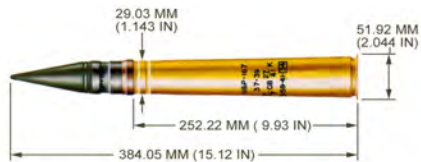


**CHINESE CARTRIDGE, 37-MM, FRAG-T, TYPE 55, HE-T**

Ordnance used with:  
ML-1, PROJECTILE, PDS  
ML1, PROJECTILE, PDS  
TYPE 55, 37 MM, HE-T  
TYPE 1, PROJECTILE, PDS  
TYPE 65, AIR DEFENSE GUN, 37MM, TWIN

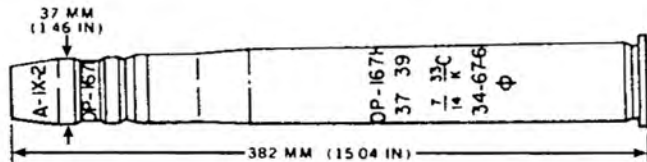






## U.S.S.R. CARTRIDGE, 37-MM, AP-T, UBR-167

Ordnance used with:  
BR-167, 37-MM, AP-T  
M1939, AIR DEFENSE GUN, 37MM, TOWED



## U.S.S.R. CARTRIDGE, 37-MM, FRAG-T, MODEL OR-167N

Ordnance used with:  
B-37, PROJECTILE, PSD  
MG-37, PROJECTILE, PSD  
MG-8, PROJECTILE, PSD  
OR-167N, 37-MM, FRAG-T  
M1939, AIR DEFENSE GUN, 37MM, TOWED



## CHINESE PROJECTILE, 57-MM, HE TYPE UNKNOWN

Ordnance used with:

ML-2

ML-2, PROJOECTILE, PDS

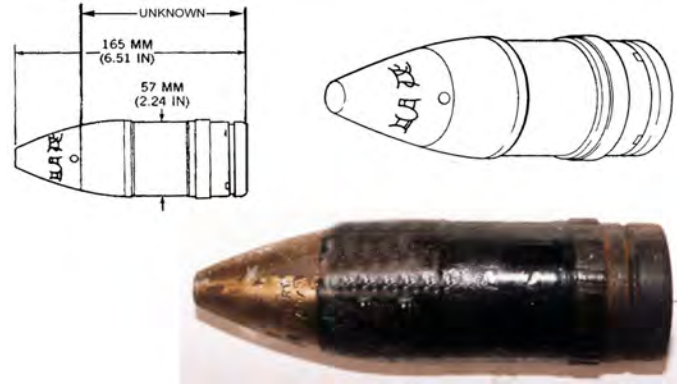
ML2, PROJECTILE, PD

TYPE 1 (ARTILLERY), PROJECTILE, PD

TYPE 3 (SPECIAL) (RECOILLESS RIFLE), PROJECTILE, PD

UNKNOWN, PD

N.E.W. 227.00 G

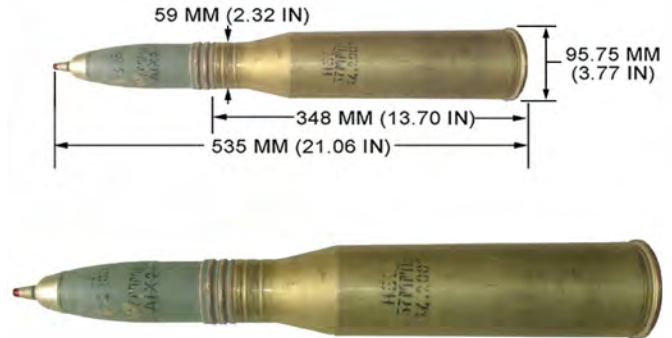


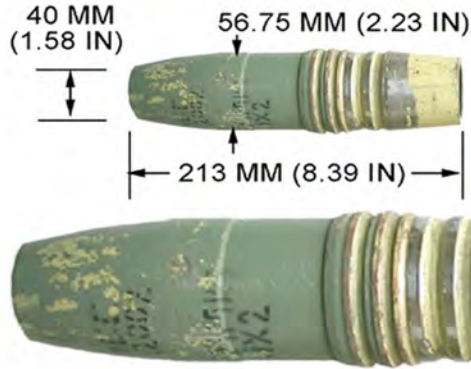
## IRAQI CARTRIDGE, 57-MM, HE, HGC

Ordnance used with:

57-7N, PROJECTILE, PDS

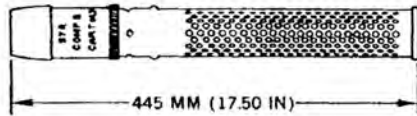
HGC, 57MM, HE





### IRAQI PROJECTILE, 57-MM, HE, HGC

Ordnance used with:  
57-7N, PROJECTILE, PSD  
HGC, 57-MM, CARTRIDGE, HE



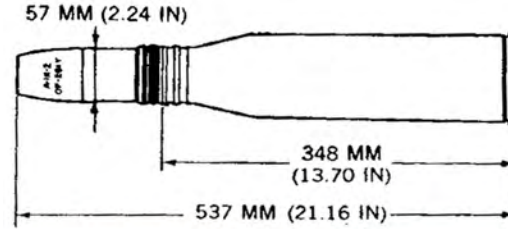
### U.S. CARTRIDGE, 57-MM, HE, M306 & M306A1

Ordnance used with:  
M306, 57-MM, HE  
M306A1, 57-MM, HE, RR  
M503, PROJECTILE, PD  
M503A1, PROJECTILE, PD  
M503A2, PROJECTILE, PD  
M85, PROJECTILE, PD  
M86, PROJECTILE, PD  
N.E.W. 19.00 G



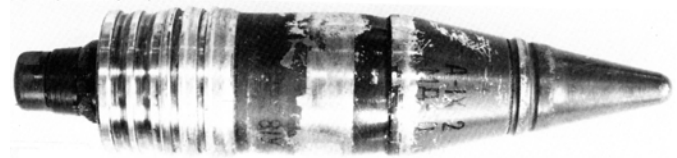
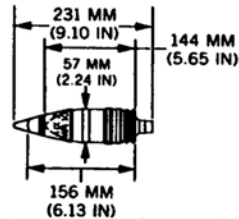
## U.S.S.R. CARTRIDGE, 57-MM, FRAG-T, MODEL OR-281U

Ordnance used with:  
MG-57, PROJECTILE, PSDS  
53-OR-281U  
OR-281U, 57-MM, FRAG-T  
UOR-281U, 57 MM, FRAG-T  
ZSU-57-2, AIR DEFENSE GUN, 57MM, TWIN  
S-60, AIR DEFENSE GUN, 57MM, TOWED  
57-7N, PROJECTILE, PSDS



## U.S.S.R. PROJECTILE, 57-MM, APHE-T, BR-281

Ordnance used with:  
UBR-281, 57-MM, CARTRIDGE, APHE-T (57MM X 348MM)  
MD-10, PROJECTILE, BD



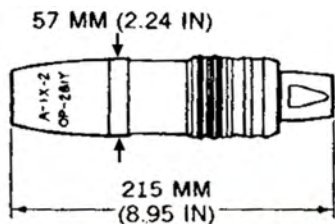
N.E.W. 18.00 G



### U.S.S.R. PROJECTILE, 57-MM, APHE-T, BR-281U

Ordnance used with:  
 UBR-281U, 57-MM, CARTRIDGE, APHE-T (57MM X 348MM)  
 MD-10, PROJECTILE, BD

N.E.W. 18.00 G



### U.S.S.R. PROJECTILE, 57-MM, FRAG-T, MODEL OR-281U

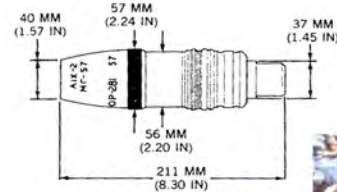
Ordnance used with:  
 MG-57, PROJECTILE, PDS  
 MGZ-57, PROJECTILE, PDS  
 53-UOR-281U  
 UOR-281U, 57 MM, CARTRIDGE  
 UOR-281U, CARTRIDGE, 57MM X 348MM, FRAG-T  
 57-7N, PROJECTILE, PDS



N.E.W. 154.00 G

## U.S.S.R. PROJECTILE, 57-MM, HE, FRAG-T, MODEL OR-281

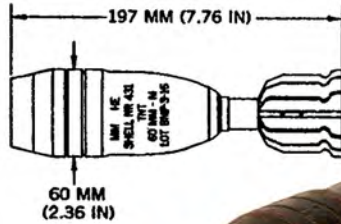
Ordnance used with:  
MG-57, PROJECTILE, PDS  
MGZ-57, PROJECTILE, PDS  
UOR-281, CARTRIDGE, 57MM X 348MM, FRAG-T



## AUSTRIAN CARTRIDGE, 60-MM, HE, MORTAR, MODEL HE 80

Ordnance used with:  
M525A1, PROJECTILE, PD  
HE 80, 60-MM, HE  
DM 111A3, PROJECTILE, PD  
PDM525, PROJECTILE, PD  
T37A1B1, PROJECTILE, PD  
M525, PROJECTILE, PD  
HE 80, 60-MM, CARTRIDGE, HE, MORTAR  
N.E.W. 200.00 G

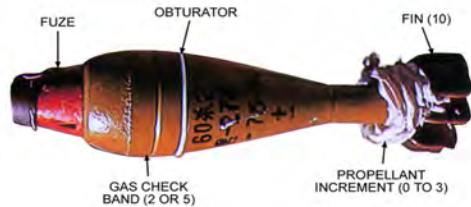
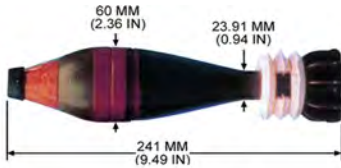




## BELGIAN PROJECTILE, 60-MM, HE, NR431

Ordnance used with:  
 M52A2, FUZE, PROJECTILE, PD  
 DM 111, PROJECTILE, PD  
 NR 2444, PROJECTILE, PD  
 PRB 431, 60-MM, CARTRIDGE, HE/FRAG, MORTAR  
 NR 444, PROJECTILE, PD  
 PRB NR 444, PROJECTILE, PD

N.E.W. 181.00 G

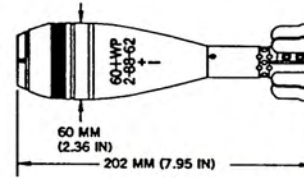


## CHINESE CARTRIDGE, 60-MM, HE, MORTAR, M-83A

Ordnance used with:  
 MP-1B, PROJECTILE, PD  
 MP1B, PROJECTILE, PD  
 83A  
 M-83A, 60 MM, MORTAR, HE  
 M38  
 M83A  
 TYPE 63

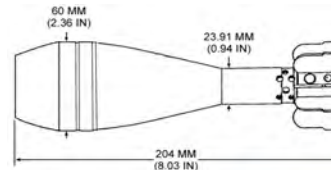
## CHINESE CARTRIDGE, 60-MM, MORTAR, SMOKE (WP), TYPE 60-1

Ordnance used with:  
MP-1B, PROJECTILE, PD  
MP1B, PROJECTILE, PD  
M38, PROJECTILE, PD  
MP-1A, PROJECTILE, PD  
MP1A, PROJECTILE, PD  
MP-1, PROJECTILE, PD  
MP1, PROJECTILE, PD

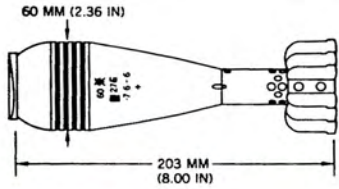


## CHINESE PROJECTILE, 60-MM, HE, MORTAR, M-83A

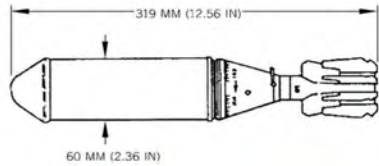
Ordnance used with:  
MP-1B, PROJECTILE, PD  
MP1B, PROJECTILE, PD  
M38, PROJECTILE, PD  
MP-1A, PROJECTILE, PD  
MP1A, PROJECTILE, PD  
MP-1, PROJECTILE, PD  
MP1, PROJECTILE, PD  
N.E.W. 112.00 G







**CHINESE PROJECTILE, 60-MM, HE, MORTAR, TYPE 27**



**FRENCH PROJECTILE, 60-MM, ILLUMINATION, MK 63**

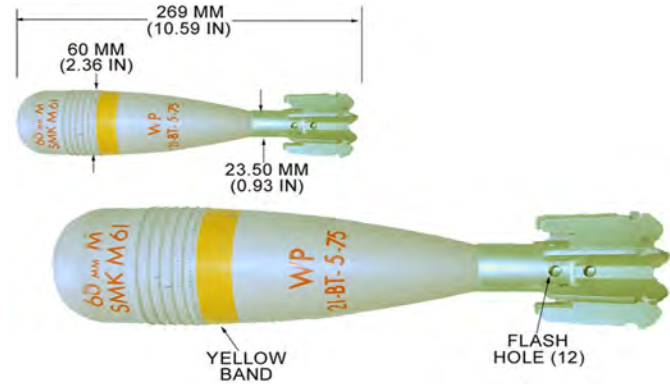


Ordnance used with:  
BDMT, MORTAR, PTT



## FRENCH PROJECTILE, 60-MM, SMOKE, MORTAR, M61

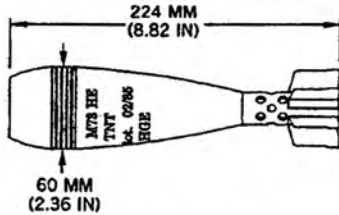
Ordnance used with:  
V-19-P, PROJECTILE, PD  
V19P, PROJECTILE, PD  
V9, PROJECTILE, PD  
V19PA, PROJECTILE, PD



## IRANIAN CARTRIDGE, 60-MM, HE, MORTAR, MODEL UNKNOWN

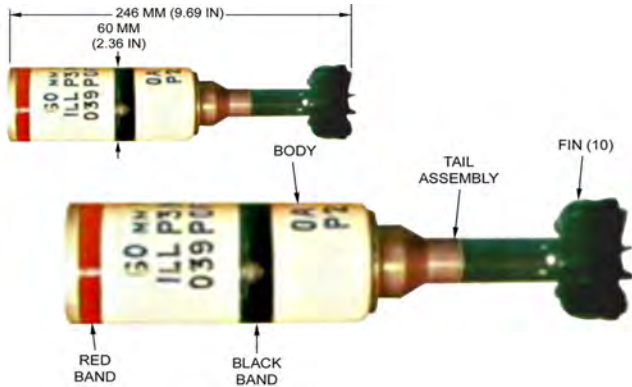
Ordnance used with:  
DM 111, PROJECTILE, PD  
PDM525, PROJECTILE, PD  
AZ111, PROJECTILE, PD  
DM111, PROJECTILE, PD  
UNKNOWN, 60MM, MORTAR, HE  
UNKNOWN, 60MM, CARTRIDGE, MORTAR, HE





### IRAQI PROJECTILE, 60-MM, HE, M-73

Ordnance used with:  
 UT M70, FUZE, PROJECTILE, PD  
 UT M68 P1, PROJECTILE, PD  
 UT M68P1, PROJECTILE, PD  
 UT.M68 P1, PROJECTILE, PD  
 UT M93, PROJECTILE, PD  
 UT M94, PROJECTILE, PD  
 AZ111, PROJECTILE, PD  
 N.E.W. 257.00 G

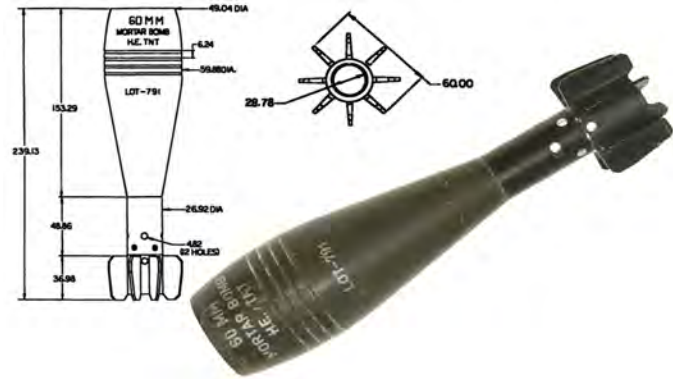


### PAKISTANI PROJECTILE, 60-MM, ILLUMINATION, P3 MK 1

Ordnance used with:  
 P3 MK 1, 60MM, CARTRIDGE, ILLUMINATION, MORTAR

## SINGAPORE PROJECTILE, 60-MM, HE, MODEL

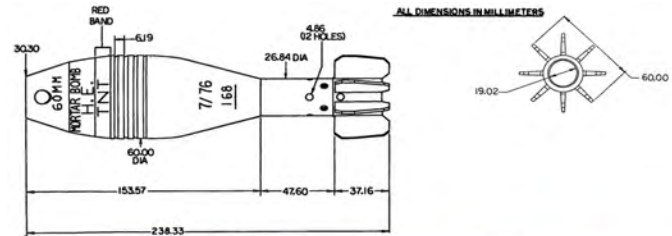
Ordnance used with:  
M111B1, PROJECTILE, PD



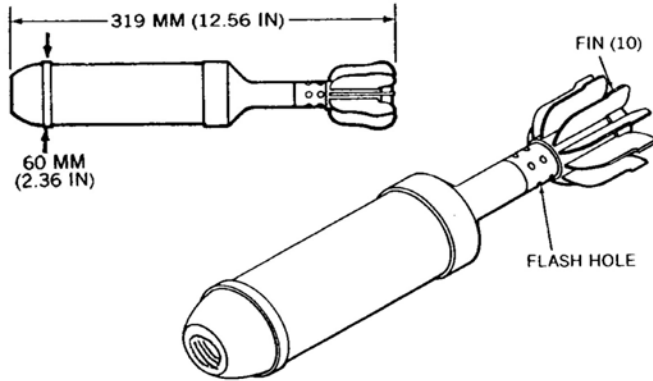
N.E.W. 209.00 G

## SINGAPORE PROJECTILE, 60-MM, MORTAR, HE, MODEL UNKNOWN

Ordnance used with:  
72 (IS72), PROJECTILE, PD  
SP-52, PROJECTILE, PD

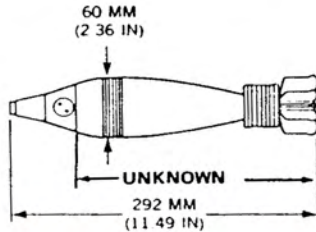


N.E.W. 220.00 G



**SPANISH PROJECTILE, 60-MM, MORTAR, ILLUMINATION, MODEL UNKNOWN**

Ordnance used with:  
ECIA, PROJECTILE, TIME



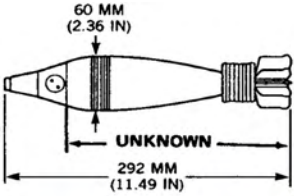
**YUGOSLAV CARTRIDGE, 60-MM, MORTAR, HE, MODEL M73**

Ordnance used with:  
M73, 60-MM, HE, MORTAR  
TRM73, 60-MM, HE, MORTAR  
UT M70, FUZE, PROJECTILE, PD  
UT M68 P1, PROJECTILE, PD  
UT M68P1, PROJECTILE, PD  
UT.M68 P1, PROJECTILE, PD  
MU K92, PROJECTILE, PD  
N.E.W. 200.00 G



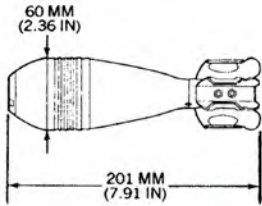
**YUGOSLAV CARTRIDGE, 60-MM, MORTAR, SMOKE,  
MODEL 73**

Ordnance used with:  
 UT M68 P1, PROJECTILE, PD  
 UT M68P1, PROJECTILE, PD  
 UT.M68 P1, PROJECTILE, PD  
 UT M70P1, PROJECTILE, PD  
 UT,M70 P1, PROJECTILE, PD

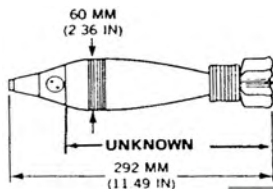


**YUGOSLAV PROJECTILE, 60-MM, HE, MORTAR,  
MODEL M57**

Ordnance used with:  
 UTK 55, PROJECTILE, PD  
 UT M57, PROJECTILE, PD



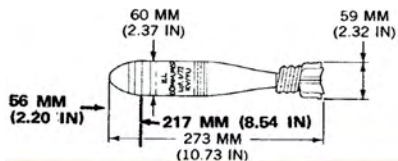
N.E.W. 180.00 G



## YUGOSLAV PROJECTILE, 60-MM, HE, MORTAR, MODEL M73

Ordnance used with:  
 UT M70, FUZE, PROJECTILE, PD  
 UT M68 P1, PROJECTILE, PD  
 UT M68P1, PROJECTILE, PD  
 UT.M68 P1, PROJECTILE, PD  
 UT M93, PROJECTILE, PD  
 UT M94, PROJECTILE, PD  
 AZ111, PROJECTILE, PD

N.E.W. 257.00 G

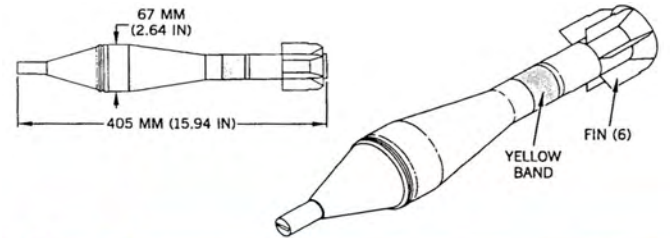


## YUGOSLAV PROJECTILE, 60-MM, ILLUMINATION, MORTAR, M67

Ordnance used with:  
 M67 PROJECTILE, PTT  
 TP M67, PROJECTILE, PTT

## GERMAN PROJECTILES, 67-MM, HEAT AND APERS (ARMBRUST)

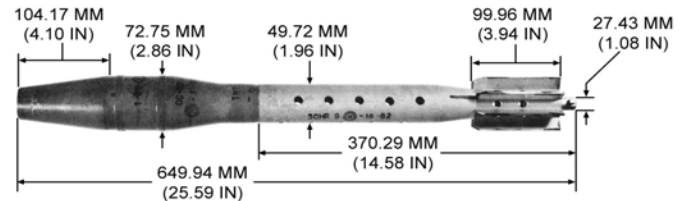
Ordnance used with:  
ARMBRUST, 67MM, CARTRIDGE, HEAT AND APERS



N.E.W. 171.00 G

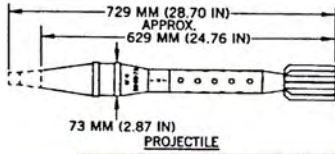
## BULGARIAN PROJECTILE, 73-MM, HE-FRAG, OG-9B

Ordnance used with:  
GO-2, PROJECTILE , PD  
O-4M, PROJECTILE, PD  
OG-15VB, CARTRIDGE, 73 MM, HE  
SPG-9, 73MM, RECOILESS RIFLE

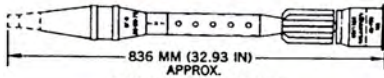


N.E.W. 371.95 G





73 MM (2.87 IN)  
PROJECTILE



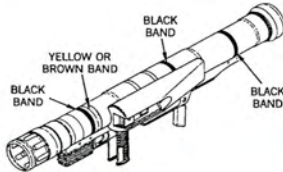
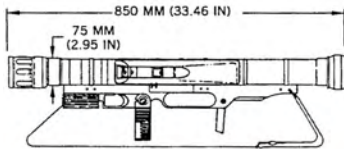
CARTRIDGE, MODEL OG-15P



## U.S.S.R. PROJECTILES, 73-MM, HE, FRAG, OG-9 & OG-9M

Ordnance used with:  
 GO-2, PROJECTILE, PD  
 UTIU M85, PROJECTILE, PD  
 O-4M, PROJECTILE, PD  
 OG-9P, 73MM, PROPELLING CHARGE  
 OG-15P, 73-MM, CARTRIDGE, HE  
 SPG-9, 73MM, RECOILESS RIFLE  
 OG-9V, 73MM, CARTRIDGE, FRAG

N.E.W. 664.82 G



## GERMAN CARTRIDGES, 67-MM, HEAT AND APERS (ARMBRUST)

Ordnance used with:  
 ARMBRUST, 67MM, HEAT  
 ARMBRUST, 67MM, APERS  
 ARMBRUST SC, 67MM, PRACTICE



## U.S. CARTRIDGE, 75 MM, HE, M48

Ordnance used with:

M48, 75 MM, HE

M5A1, CARTRIDGE CASE, BRASS

M5A1B1, CARTRIDGE CASE, STEEL



N.E.W. 1.80 KG

---

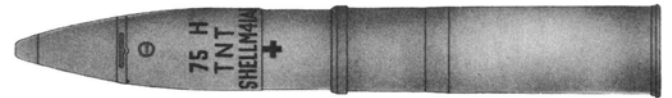
## U.S. CARTRIDGE, 75-MM, HE, M41A1

Ordnance used with:

M41A1, PROJECTILE, 75 MM, HE

M5A1, CARTRIDGE CASE, BRASS

M5A1B1, CARTRIDGE CASE, STEEL



N.E.W. 1.80 KG

---

## U.S. PROJECTILE, 75-MM, HE, M41A1



Ordnance used with:  
M48, PROJECTILE, PD  
M501, FUZE, PROJECTILE, MTSQ  
M501A1, FUZE, PROJECTILE, MTSQ  
M502, FUZE, PROJECTILE, MTSQ  
M502A1, FUZE, PROJECTILE, MTSQ  
M518A1, FUZE, PROJECTILE, MTSQ  
M520, FUZE, PROJECTILE, MTSQ

N.E.W. 1.20 LB

---

## U.S. PROJECTILE, 75-MM, HE, M48



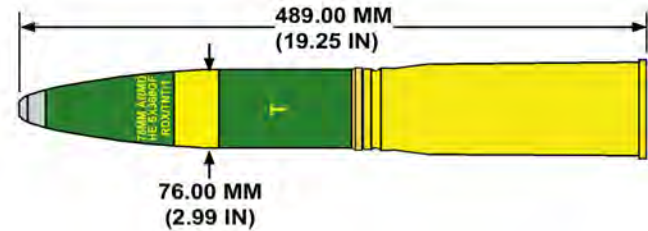
Ordnance used with:  
M48, PROJECTILE, PD  
M501, FUZE, PROJECTILE, MTSQ  
M501A1, FUZE, PROJECTILE, MTSQ  
M502, FUZE, PROJECTILE, MTSQ  
M502A1, FUZE, PROJECTILE, MTSQ  
M513 (T226), FUZE, PROJECTILE, VT  
M513A1 (T226E2), FUZE, PROJECTILE, VT

N.E.W. 1.50 LB

---

## U.K. CARTRIDGE, 76-MM, HE, L24A4

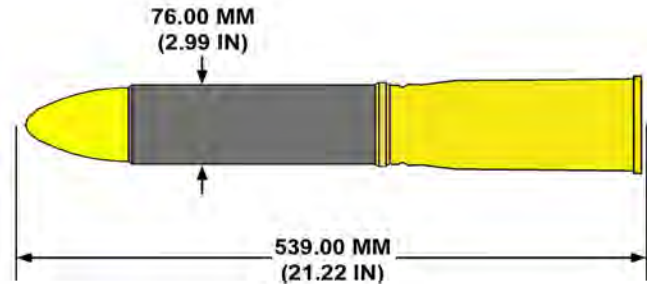
Ordnance used with:  
L17A3, PROJECTILE, PD  
L24A4, PROJECTILE, 76 MM, HE



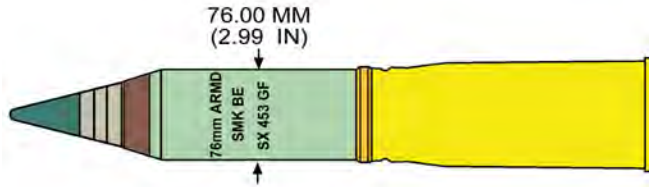
N.E.W. 1.04 KG

## U.K. CARTRIDGE, 76-MM, HEP-T, L29

Ordnance used with:  
L71A1, PROJECTILE, BD  
L29, PROJECTILE, 76 MM, HEP-T  
L29, PROJECTILE, 76 MM, HESH-T



## U.K. CARTRIDGE, 76-MM, SMOKE, HC, L32A5



Ordnance used with:  
NO. 221B MK 3, PROJECTILE, TSQ  
NO. 221B MK 4, PROJECTILE, TSQ  
NO. 221B MK 5, PROJECTILE, TSQ  
NO. 221B MK 6, PROJECTILE, TSQ  
NO. 221B MK 7, PROJECTILE, TSQ  
L32A5, PROJECTILE, 76 MM, SMOKE HC



## U.K. PROJECTILE, 3-INCH, SMOKE (WP), MORTAR, MK 4

Ordnance used with:  
NO. 390 MK 2A, PROJECTILE, PTT



## U.K. PROJECTILE, 3-INCH, SMOKE (WP), MORTAR, MK 7

Ordnance used with:

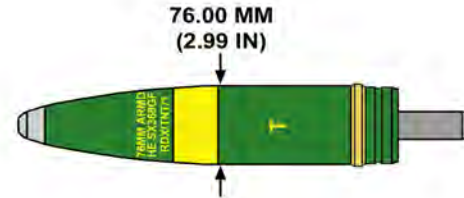
- NO. 162 MK 1/2, PROJECTILE, PD
- NO. 162 MK 10, PROJECTILE, PD
- NO. 162 MK 3, PROJECTILE, PD
- NO. 162 MK 3/1, PROJECTILE, PD
- NO. 162 MK 3/2, PROJECTILE, PD
- NO. 162 MK 3/3, PROJECTILE, PD
- NO. 162 MK 4, PROJECTILE, PD



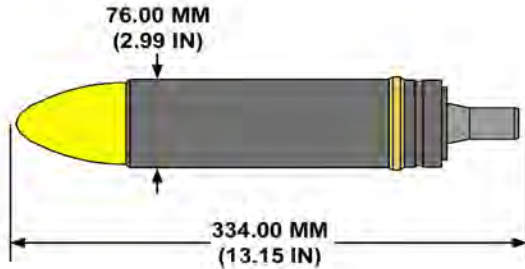
## U.K. PROJECTILE, 76-MM, HE, L24A4

Ordnance used with:

- L17A3, PROJECTILE, PD
- L24A4, CARTRIDGE, 76 MM, HE



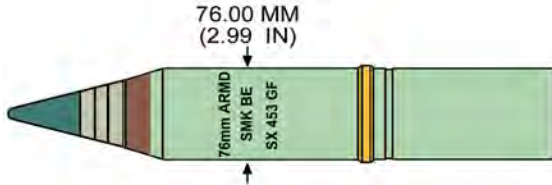
## U.K. PROJECTILE, 76-MM, HEP-T, L29



Ordnance used with:  
L71A1, PROJECTILE, BD  
L29, CARTRIDGE, 76 MM, HEP-T  
L29, CARTRIDGE, 76 MM, HESH-T

---

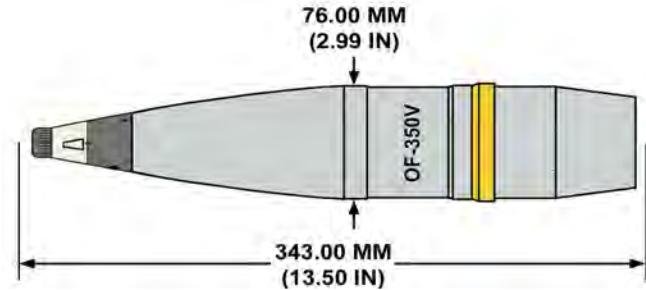
## U.K. PROJECTILE, 76-MM, SMOKE, HC, L32A5



Ordnance used with:  
NO. 221B MK 3, PROJECTILE, TSQ  
NO. 221B MK 4, PROJECTILE, TSQ  
NO. 221B MK 5, PROJECTILE, TSQ  
NO. 221B MK 6, PROJECTILE, TSQ  
NO. 221B MK 7, PROJECTILE, TSQ  
L32A5, CARTRIDGE, 76 MM, SMOKE HC

## U.S.S.R. PROJECTILE, 76-MM, HE, OF-350V

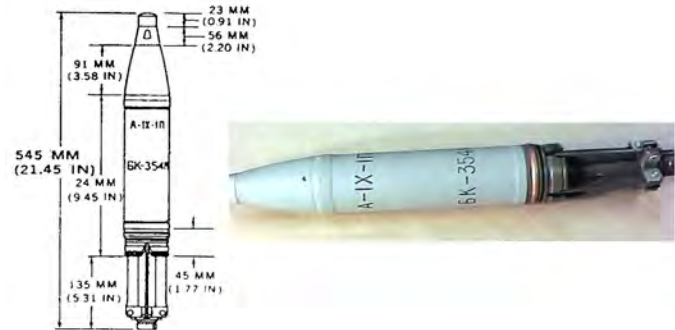
Ordnance used with:  
RGM-2M, PROJECTILE, PD  
UOF-15, 76-MM, CARTRIDGE, HE



N.E.W. 604.00 G

## U.S.S.R. PROJECTILE, 76-MM, HEAT-FS, MODEL BK-354M

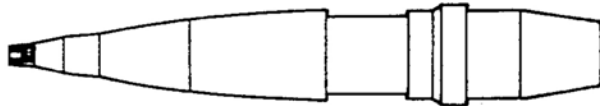
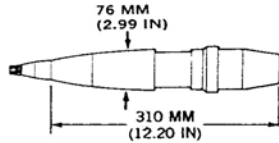
Ordnance used with:  
GPV-2, PROJECTILE, PIBD, SPITBACK



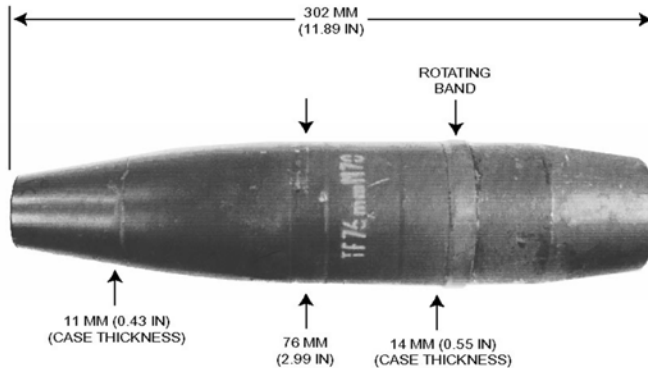
N.E.W. 0.80 KG



## U.S.S.R. PROJECTILE, 76-MM, SMOKE, D-350



Ordnance used with:  
KT-1, FUZE, PROJECTILE, PD  
KT-2, FUZE, PROJECTILE, PD  
KT-3, FUZE, PROJECTILE, PD  
KTM-1, PROJECTILE, PD  
KTM-1U, PROJECTILE, PD  
KTM-1Y, PROJECTILE, PD  
KTM-2, PROJECTILE, PD

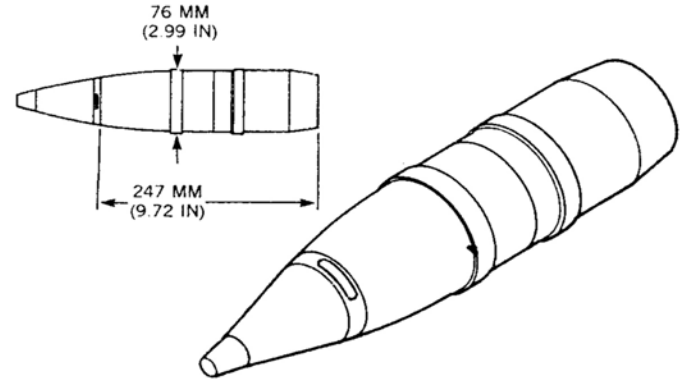


## YUGOSLAV PROJECTILE, 76-MM, HE, M70

Ordnance used with:  
AU-17, PROJECTILE, PD  
UTI M68, PROJECTILE, PD  
AU-18P1, PROJECTILE, PD  
UTIU M72, PROJECTILE, PD  
UTIU M72B1, PROJECTILE, PD  
UTIU M85, PROJECTILE, PD

N.E.W. 600.00 G

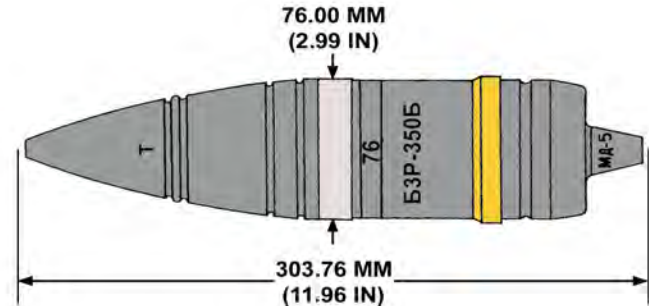
## YUGOSLAV PROJECTILE, 76-MM, HE, MODEL M55



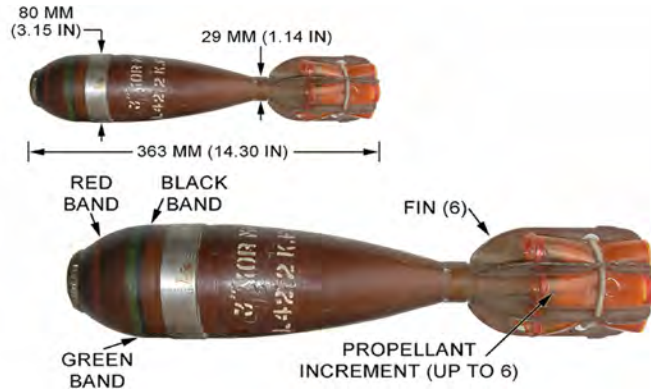
N.E.W. 430.00 G

## U.S.S.R. PROJECTILE, 76-MM, APHEI-T, BZR-350B

Ordnance used with:  
MD-5, PROJECTILE, BD  
MD-6, PROJECTILE, BD  
MD-7, FUZE, PROJECTILE, BD  
MD-8, PROJECTILE, BD  
BZR-350B, 76-MM, CARTRIDGE, APHEI-T



N.E.W. 123.00 G



### U.K. PROJECTILE, 3-INCH, HE, MK 3

Ordnance used with:  
 NO. 152 I, PROJECTILE, PD  
 NO. 162 MK 2/1, PROJECTILE, PD

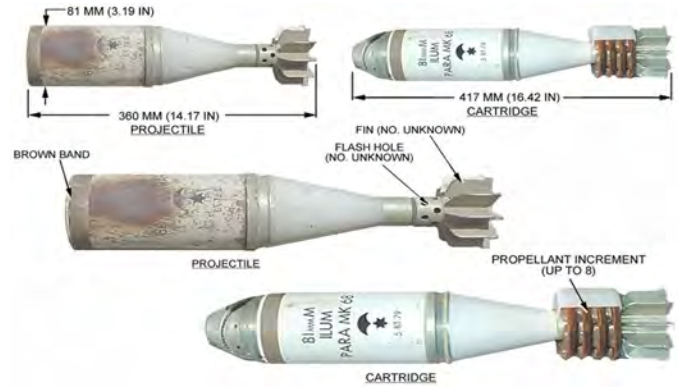


### CHINESE PROJECTILE, 82-MM, SMOKE (WP), MORTAR, TYPE 53

Ordnance used with:  
 M-6  
 M6, PROJECTILE, PD  
 MP-1B, PROJECTILE, PD  
 MP1B, PROJECTILE, PD  
 M38, PROJECTILE, PD  
 MP-1A, PROJECTILE, PD  
 MP1A, PROJECTILE, PD  
 N.E.W. 390.00 G

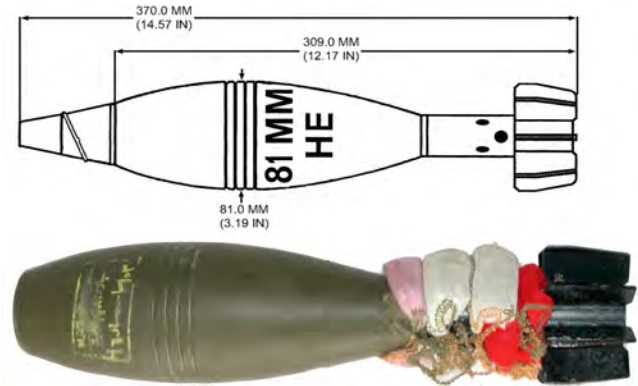
## FRENCH CARTRIDGE, 81-MM, ILLUMINATION, MORTAR, MK 68

Ordnance used with:  
FH-81B, PROJECTILE, MT  
M68, 81MM, ILLUM  
MK 68, 81MM, ILLUM  
FH-55, PROJECTILE, MT

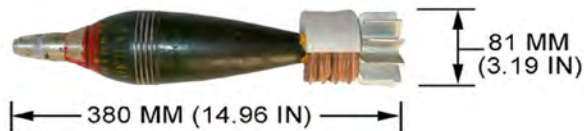


## IRANIAN PROJECTILE, 81-MM, HE, MORTAR, MODEL UNKNOWN

Ordnance used with:  
MP-5C  
MP5C, PROJECTILE, PD  
AZ111 A2, PROJECTILE, PD  
AZ111-A2  
MP-5B, PROJECTILE, PD



N.E.W. 0.55 KG



### PAKISTANI CARTRIDGE, 81-MM, HE, MORTAR, M57

Ordnance used with:  
V19PA, PROJECTILE, PD  
M57, 81-MM, MORTAR



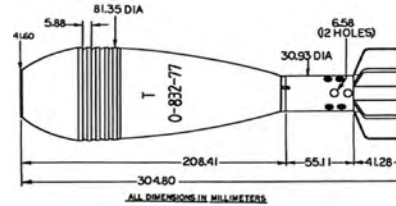
### PAKISTANI PROJECTILE, 81-MM, HE, MORTAR, M57

Ordnance used with:  
V19PA, PROJECTILE, PD  
M57, 81-MM, CARTRIDGE, MORTAR



## ROMANIAN PROJECTILE, 82-MM, HE, MORTAR, MODEL O-832

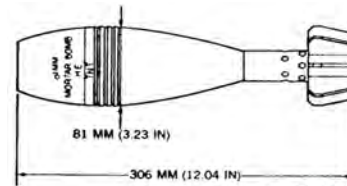
Ordnance used with:  
SH-82, PROJECTILE, PD



N.E.W. 426.00 G

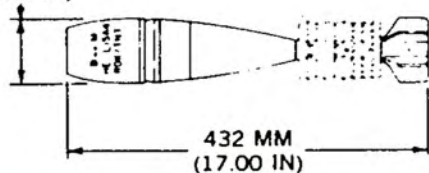
## SINGAPORE PROJECTILE, 81-MM, MORTAR, HE, MODEL UNKNOWN

Ordnance used with:  
AZ 111 A2  
AZ DM 111A2, PD  
DM 111A2, PROJECTILE, PD  
EF-722 (NOVA), PROJECTILE, PROXIMITY/PD



N.E.W. 480.00 G

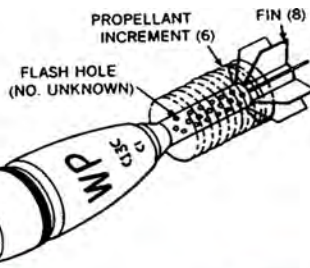
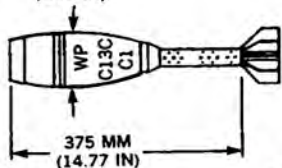
81 MM  
(3.20 IN)



## U.K. PROJECTILE, 81-MM, HE, MODEL L15A1

Ordnance used with:  
L35A1, PROJECTILE, PD  
NO. 162 MK 1/2, PROJECTILE, PD  
NO. 162 MK 10, PROJECTILE, PD  
NO. 162 MK 3, PROJECTILE, PD  
NO. 162 MK 3/1, PROJECTILE, PD  
NO. 162 MK 3/2, PROJECTILE, PD  
NO. 162 MK 3/3, PROJECTILE, PD

81 MM  
(3.19 IN)



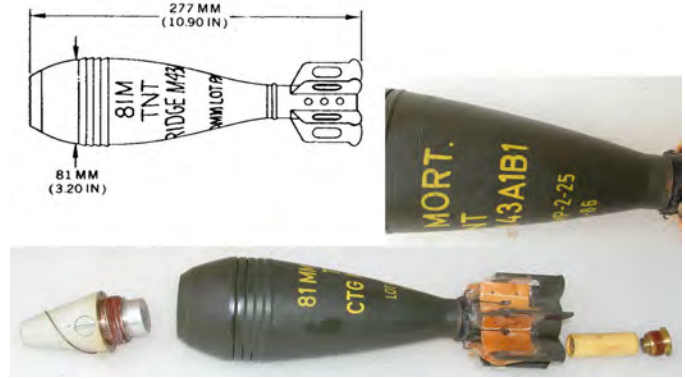
## U.K. PROJECTILE, 81-MM, MORTAR, SMOKE, WP, L19A1

Ordnance used with:  
L35A1, PROJECTILE, PD  
NO. 162 MK 1/2, PROJECTILE, PD  
NO. 162 MK 10, PROJECTILE, PD  
NO. 162 MK 3, PROJECTILE, PD  
NO. 162 MK 3/1, PROJECTILE, PD  
NO. 162 MK 3/2, PROJECTILE, PD  
NO. 162 MK 3/3, PROJECTILE, PD  
N.E.W. 700.00 G

## U.S. PROJECTILE, 81-MM, HE, M43A1B1

Ordnance used with:  
M52, PROJECTILE, PD  
M525A1, PROJECTILE, PD  
M52A1, FUZE, PROJECTILE, PD  
M52A1B1, FUZE, PROJECTILE, PD  
M52A2, FUZE, PROJECTILE, PD  
M52A2B1, FUZE, PROJECTILE, PD  
M52B1, FUZE, PROJECTILE, PD

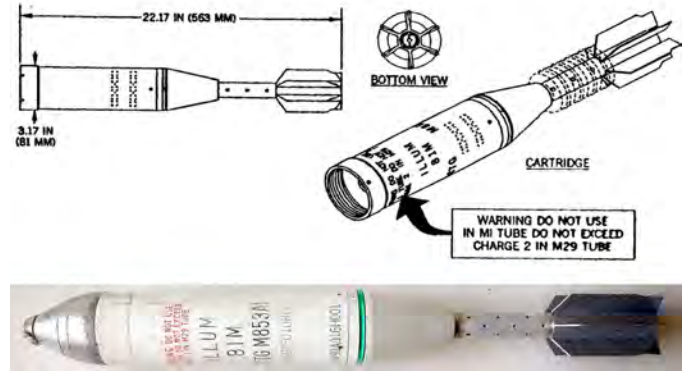
N.E.W. 600.00 G



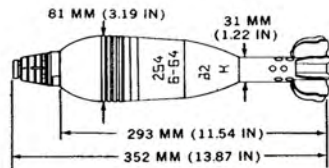
## U.S. PROJECTILE, 81-MM, ILLUMINATION, M853A1

Ordnance used with:  
M768 PROJECTILE, PTT  
M772 PROJECTILE, MTSQ  
M853A1, 81MM, ILLUM

N.E.W. 1.80 LB

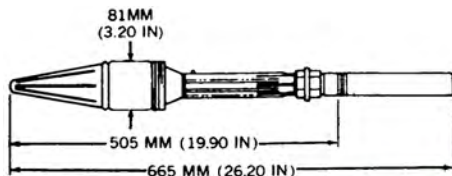






## U.S.S.R. PROJECTILE, 82-MM, ILLUM, MODEL S-832S

Ordnance used with:  
T-1, PROJECTILE, TSQ

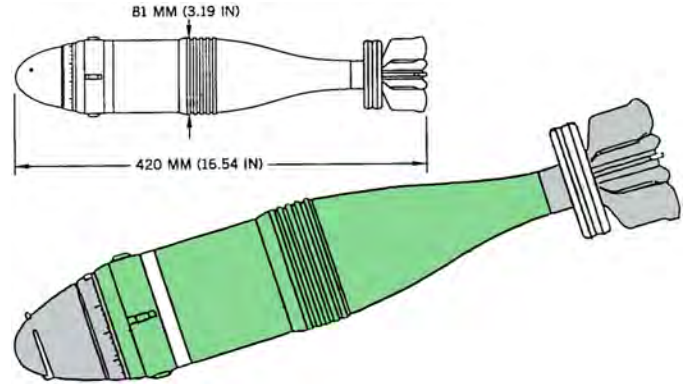


## U.S.S.R. PROJECTILE, HEAT, PG-2; CHINESE PROJECTILE, HEAT, TYPE 56

Ordnance used with:  
PG-2, 80MM, HEAT  
TYPE 56, 80MM, HEAT  
DK-4, PROJECTILE, BD  
DK-2, PROJECTILE, BD  
TYPE 4, PROJECTILE, BD  
PG-2, 80MM, CARTRIDGE, HEAT  
TYPE 56, 80MM, CARTRIDGE, HEAT

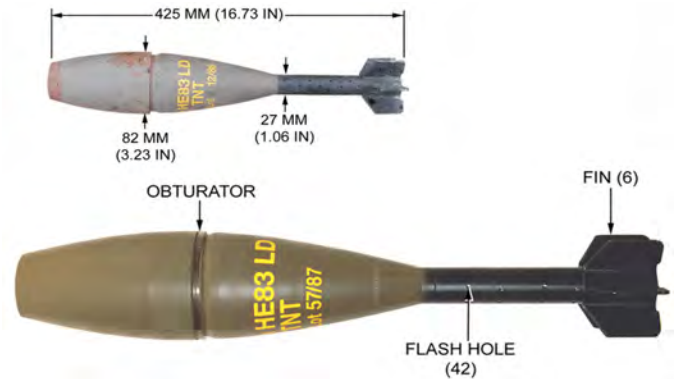
## YUGOSLAV CARTRIDGE, 81-MM, MORTAR, ILLUMINATION, M67

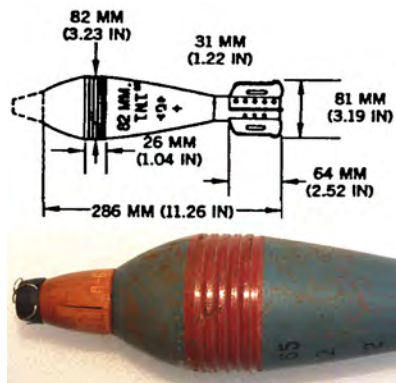
Ordnance used with:  
M67 PROJECTILE, PTT  
TP M67, PROJECTILE, PTT  
UTU M67, PROJECTILE, PD



## AUSTRIAN PROJECTILE, 82-MM, HE, MORTAR, HE83 LD

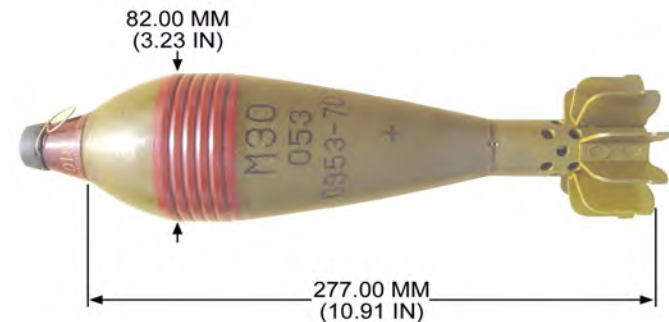
Ordnance used with:  
PDM525, PROJECTILE, PD  
T37A1B1, PROJECTILE, PD  
M52B1, PROJECTILE, PD  
HE 83 LD, CARTRIDGE, 82MM, HE  
TP 70, IGNITER, MORTAR





## CHINESE CARTRIDGE, 82-MM, HE, MORTAR, TYPE 53

Ordnance used with:  
 MP-1B, PROJECTILE, PD  
 MP1B, PROJECTILE, PD  
 M38, PROJECTILE, PD  
 MP-1A, PROJECTILE, PD  
 MP1A, PROJECTILE, PD  
 TH521, 82-MM, HE  
 TYPE 53, 82-MM, HE



## CHINESE PROJECTILE, 82-MM, HE, MORTAR, M30

Ordnance used with:  
 M-6, PROJECTILE, PD  
 M30P-1  
 TYPE 6, PROJECTILE, PD

## CHINESE PROJECTILE, 82-MM, HE, MORTAR, TYPE 53

Ordnance used with:  
MP-1B, PROJECTILE, PD  
MP1B, PROJECTILE, PD  
M38, PROJECTILE, PD  
MP-1A, PROJECTILE, PD  
MP1A, PROJECTILE, PD  
TYPE UNIVERSAL MODIFIED, PD  
MP-1, PROJECTILE, PD

N.E.W. 0.86 LB



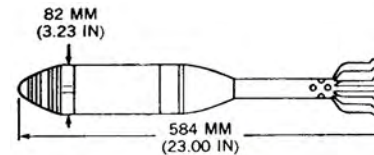
ALTERNATE COLOR SCHEMES

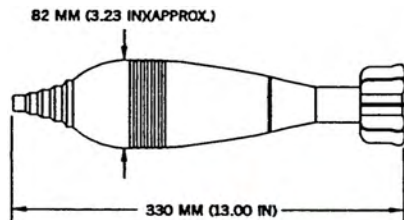


## CHINESE PROJECTILE, 82-MM, ILLUM, MORTAR, MODEL UNKNOWN

Ordnance used with:  
MS-3A, PROJECTILE, PTT  
SHF-3, PROJECTILE, PTT  
UNKNOWN, 82MM, IGNITION CARTRIDGE, MORTAR

N.E.W. 750.00 G





**HUNGARIAN PROJECTILE, 82-MM, MORTAR, HEAT, MODEL UNKNOWN (BEKM-82)**



**NORTH KOREAN CARTRIDGE, 82-MM, FRAG, O-881**

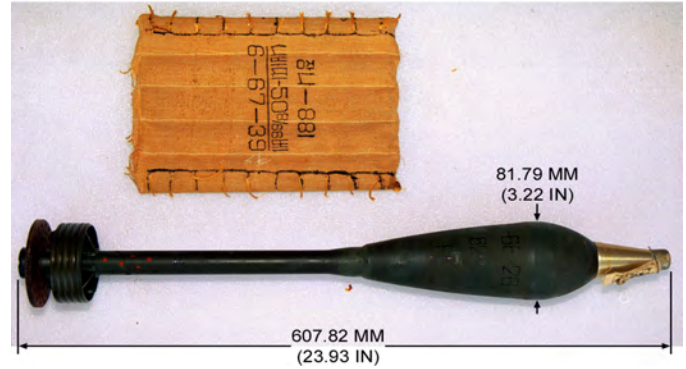


Ordnance used with:  
GK-1, FUZE, PROJECTILE, PD  
O-881, 82 MM, FRAG  
B-2, PROJECTILE, PD

## NORTH KOREAN PROJECTILE, 82-MM, FRAG, 0-881

Ordnance used with:  
GK-2, FUZE, PROJECTILE, PD  
O-881, CARTRIDGE, 82MM, FRAGMENTATION  
B-2, PROJECTILE, PD

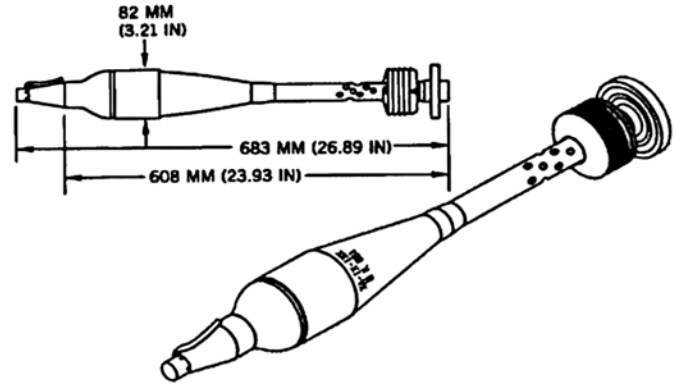
N.E.W. 470.00 G

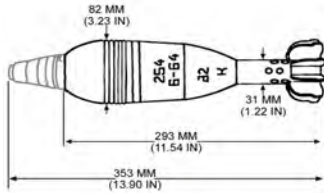


## POLISH PROJECTILE, 82-MM, HEAT, BK-881

Ordnance used with:  
GK-2, FUZE, PROJECTILE, PD

N.E.W. 460.00 G



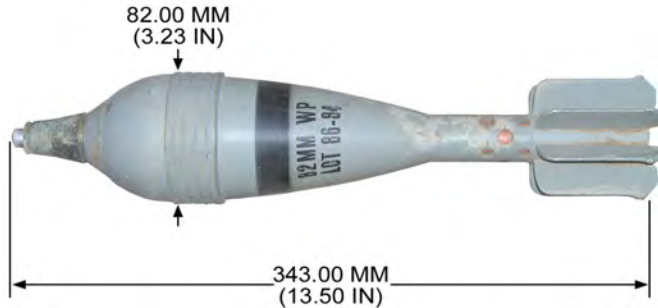


**ROMANIAN PROJECTILE, 82-MM, ILLUMINATION, MORTAR, MODEL UNKNOWN**

Ordnance used with:  
 T-1, PROJECTILE, TSQ  
 UNKNOWN, 82MM, CARTRIDGE, ILLUMINATION



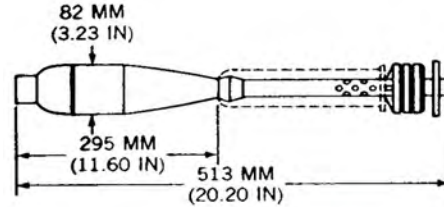
N.E.W. 692.50 G



**SPANISH PROJECTILE, 82-MM, MORTAR, WP, SMOKE, MODEL UNKNOWN**

## U.S.S.R. CARTRIDGE, 82-MM, RECOILLESS, BK-881

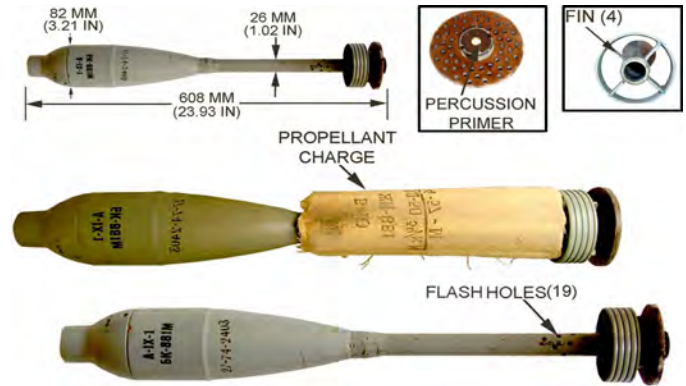
Ordnance used with:  
GK-1, FUZE, PROJECTILE, PD  
GK-2, FUZE, PROJECTILE, PD  
GK-2M, FUZE, PROJECTILE, PD



N.E.W. 1.36 KG

## U.S.S.R. CARTRIDGE, 82-MM, RECOILLESS, HEAT, BK-881M

Ordnance used with:  
GK-2, FUZE, PROJECTILE, PD  
GK-2M, FUZE, PROJECTILE, PD  
ZHN-881, 82MM, PROPELLING CHARGE



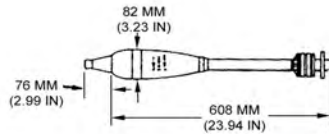
N.E.W. 1.36 KG





### U.S.S.R. CARTRIDGE, 82-MM, RECOILLESS, PRACTICE, PBK-881

Ordnance used with:  
GK-2, PROJECTILE, DUMMY  
ZHN-881, 82MM, PROPELLING CHARGE



### U.S.S.R. PROJECTILE, 82-MM, FRAG, RECOILLESS-RIFLE, MODEL 0-881A

Ordnance used with:  
GK-2, FUZE, PROJECTILE, PD

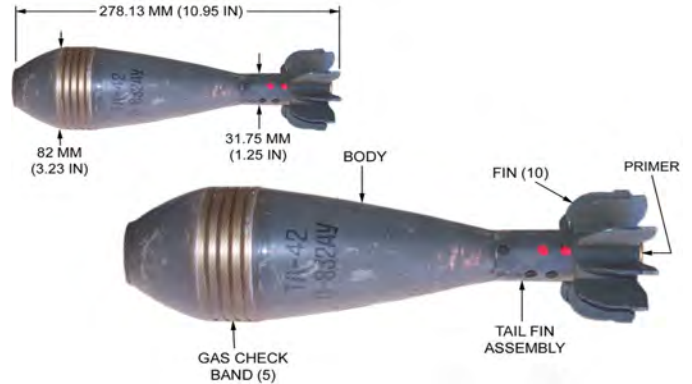


N.E.W. 470.00 G

## U.S.S.R. PROJECTILE, 82-MM, MORTAR, FRAG, MODEL 0-832-DU

Ordnance used with:  
SH-82, PROJECTILE, PD  
M-1, PROJECTILE, PDSQ  
TYPE 1, PROJECTILE, PD  
M-2, PROJECTILE, PD  
M-3, PROJECTILE, PD  
M-4, PROJECTILE, PD  
M-5, PROJECTILE, PD

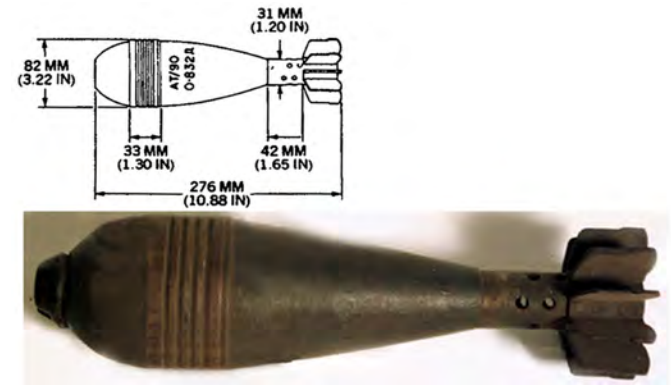
N.E.W. 0.44 KG

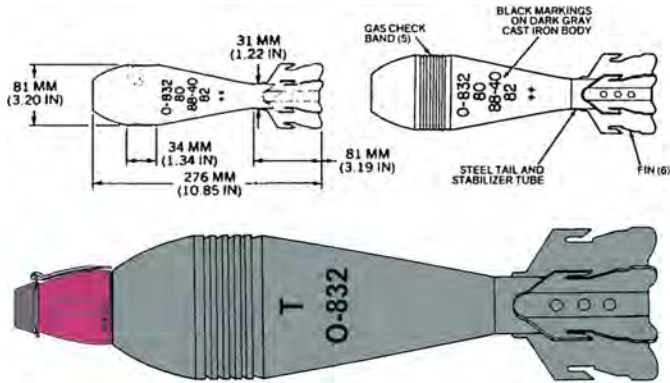


## U.S.S.R. PROJECTILE, 82-MM, MORTAR, FRAG, MODEL 0-832D

Ordnance used with:  
SH-82, PROJECTILE, PD  
M-1, PROJECTILE, PDSQ  
TYPE 1, PROJECTILE, PD  
M-2, PROJECTILE, PD  
M-3, PROJECTILE, PD  
M-4, PROJECTILE, PD  
M-5, PROJECTILE, PD

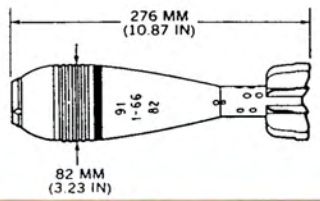
N.E.W. 0.41 KG





**U.S.S.R. PROJECTILE, 82-MM, MORTAR, FRAG, MODEL O-832**

Ordnance used with:  
 M-1, PROJECTILE, PDSQ  
 TYPE 1, PROJECTILE, PD  
 M-2, PROJECTILE, PD  
 M-3, PROJECTILE, PD  
 M-4, PROJECTILE, PD  
 M-5, PROJECTILE, PD  
 M-6, PROJECTILE, PD  
 N.E.W. 430.00 G



**U.S.S.R. PROJECTILE, 82-MM, MORTAR, SMOKE, WP, MODEL D-832DU**

Ordnance used with:  
 SH-82, PROJECTILE, PD  
 M-5, PROJECTILE, PD  
 M-6, PROJECTILE, PD  
 M-5M, PROJECTILE, PD  
 M-5A  
 M-5A, PD, PROJECTILE



## U.S.S.R. PROJECTILE, 82-MM, PROPELLING CHARGE, ZHN-881

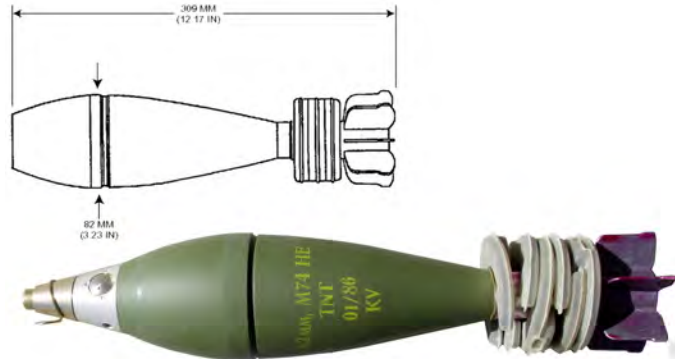
Ordnance used with:  
BK-881M, 82-MM, CARTRIDGE, HEAT  
PBK-881, 82-MM, CARTRIDGE, PRACTICE



N.E.W. 821.00 G

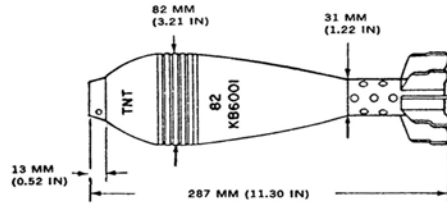
## YUGOSLAV CARTRIDGE, 82-MM, HE, MORTAR, M74

Ordnance used with:  
UT M68 P1, PROJECTILE, PD  
UT M68P1, PROJECTILE, PD  
UT.M68 P1, PROJECTILE, PD  
M74, 82MM, HE, MORTAR  
M6-R, PROJECTILE, PD  
M-6R, PROJECTILE, PD



N.E.W. 680.00 G

## YUGOSLAV CARTRIDGE, 82-MM, MORTAR, HE, M31



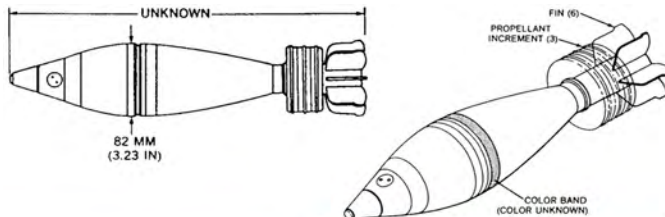
Ordnance used with:  
UT M45 P1, PROJECTILE, MORTAR, PD



N.E.W. 1.02 KG

---

## YUGOSLAV CARTRIDGE, 82-MM, MORTAR, SMOKE, MODEL M74



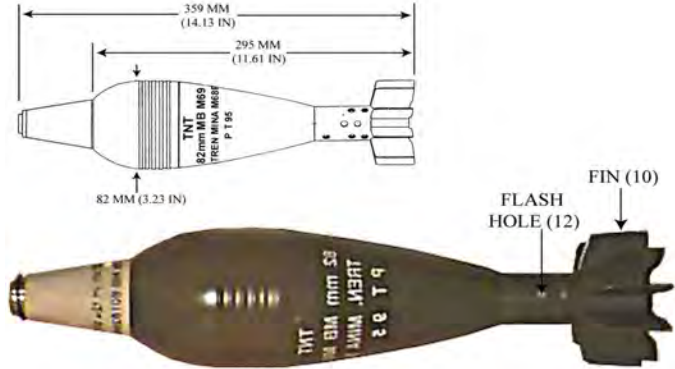
Ordnance used with:  
UT M70P1, PROJECTILE, PD  
UT, M70 P1, PROJECTILE, PD  
UTU M67, PROJECTILE, PD  
M74, 82MM, SMOKE, WP, MORTAR



## YUGOSLAV PROJECTILE, 82-MM, HE, MORTAR, M68P1

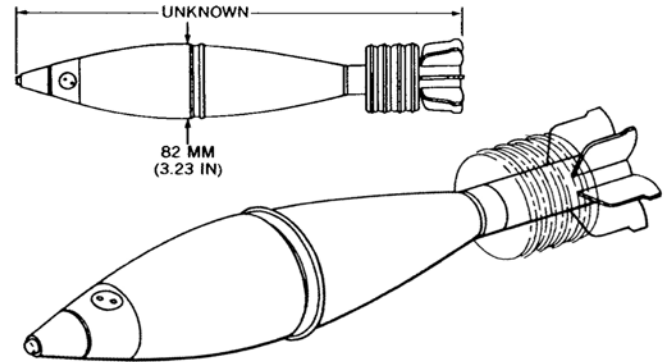
Ordnance used with:  
UT M68 P1, PROJECTILE, PD  
UT M68P1, PROJECTILE, PD  
UT.M68 P1, PROJECTILE, PD  
UT M93, PROJECTILE, PD  
UTU M67, PROJECTILE, PD  
UT M5P1, PROJECTILE, PD  
UTM5P1, PROJECTILE, PD

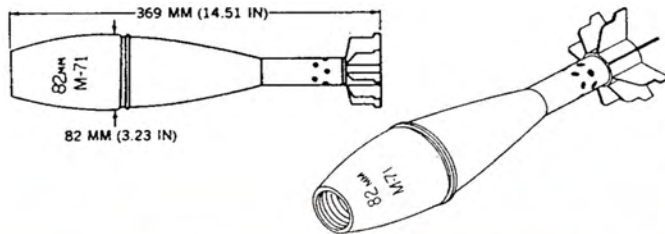
N.E.W. 530.00 G



## YUGOSLAV PROJECTILE, 82-MM, HE, MORTAR, MODEL M71

Ordnance used with:  
UT M68 P1, PROJECTILE, PD  
UT M68P1, PROJECTILE, PD  
UT.M68 P1, PROJECTILE, PD  
UTU M67, PROJECTILE, PD  
M71, 82-MM, HE, MORTAR  
UT M5P1, PROJECTILE, PD  
UTM5P1, PROJECTILE, PD





## YUGOSLAV PROJECTILE, 82-MM, HE, MORTAR, MODEL M71

Ordnance used with:

UT M68 P1, PROJECTILE, PD

UT M68P1, PROJECTILE, PD

UT.M68 P1, PROJECTILE, PD

UTU M67, PROJECTILE, PD

UT M5P1, PROJECTILE, PD

UTM5P1, PROJECTILE, PD

M71, 82MM, CARTRIDGE, HE, MORTAR

N.E.W. 690.00 G



## YUGOSLAV PROJECTILE, 82-MM, SMOKE, MORTAR, MODEL M74

Ordnance used with:

UT M70P1, PROJECTILE, PD

UT,M70 P1, PROJECTILE, PD

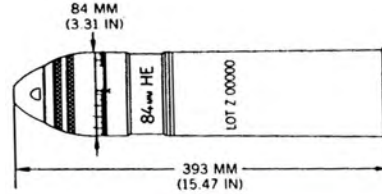
UTU M67, PROJECTILE, PD

M74, 82MM, CARTRIDGE, SMOKE, WP, MORTAR



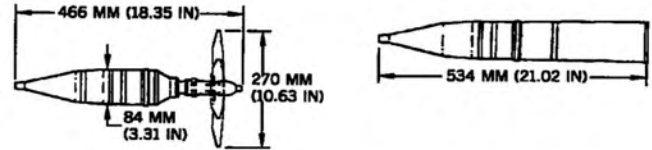
**SWEDISH CARTRIDGE, 84-MM, APERS, FFV 64D;  
L43A1**

Ordnance used with:  
FFV 64C, PROJECTILE, PI  
FFV 64D, 84-MM, APERS  
L43A1, 84MM, APERS



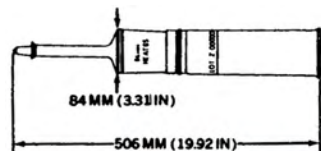
**SWEDISH CARTRIDGE, 84-MM, HEAT, MODEL AT-4**

Ordnance used with:  
AT-4, 84MM, HEAT  
M136  
MODEL UNKNOWN, LAUNCHER, AT-4  
N8T, DETONATOR, ELECTRIC



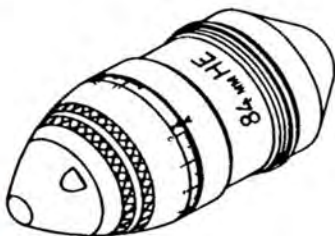
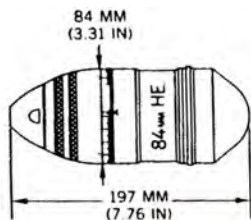
N.E.W. 381.00 G





## SWEDISH CARTRIDGE, 84-MM, HEAT-T, FFV 65

Ordnance used with:  
F/551  
FFV-551, PROJECTILE, PIBD  
M/66, PROJECTILE, PIBD  
FFV 65, 84-MM, HEAT-T  
C14, 84MM, SYSTEM, AT, OFF ROUTE



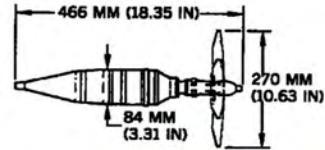
## SWEDISH PROJECTILE, 84-MM, APERS, FFV 64D; L43A1

Ordnance used with:  
FFV 64D, 84-MM, CARTRIDGE, APERS  
L43A1, 84MM, CARTRIDGE, APERS  
FFV 64C, PROJECTILE, PI

N.E.W. 400.00 G

## SWEDISH PROJECTILE, 84-MM, HEAT, MODEL AT-4

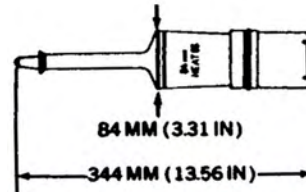
Ordnance used with:  
AT-4, CARTRIDGE, 84-MM HEAT  
M136  
N8T, DETONATOR, ELECTRIC



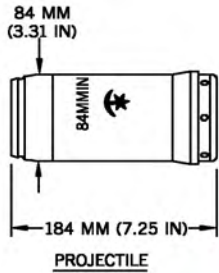
N.E.W. 460.00 G

## SWEDISH PROJECTILE, 84-MM, HEAT-T, FFV 65

Ordnance used with:  
FFV 65 CARTRIDGE, 84-MM, HEAT-T  
F/551  
FFV-551, PROJECTILE, PIBD  
M/66, PROJECTILE, PIBD



N.E.W. 500.00 G



## SWEDISH PROJECTILE, 84-MM, ILLUMINATION, FFV 545

Ordnance used with:  
FFV 545, 84 MM, CARTRIDGE, ILLUMINATING  
UNKNOWN, PTT

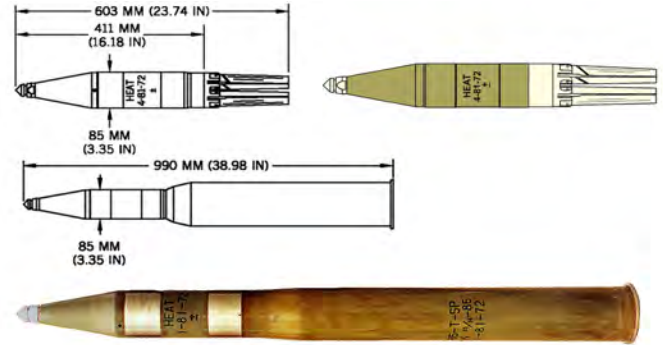


## CHINESE PROJECTILE, 85-MM, HE, MODEL UNKNOWN

Ordnance used with:  
ML-5  
ML5, PROJECTILE, PD  
MODEL UNKNOWN, 85-MM, CARTRIDGE, HE

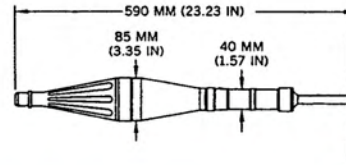
## CHINESE PROJECTILE, 85-MM, HEAT, TYPE 56

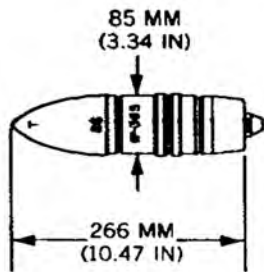
Ordnance used with:  
PROJECTILE, PIBD-L, UNDESIGNATED



N.E.W. 632.00 G

## CHINESE ROCKET, 85-MM, HEAT, TYPE 84



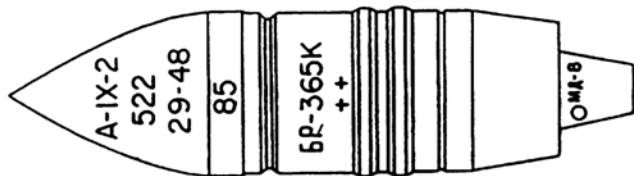


## U.S.S.R. PROJECTILE, 85-MM, APHE-T, BR-365

Ordnance used with:  
 UBR-365, CARTRIDGE, 85-MM, APHE-T  
 MD-10, PROJECTILE, BD  
 MD-5, PROJECTILE, BD  
 MD-7, FUZE, PROJECTILE, BD  
 MD-8, PROJECTILE, BD

N.E.W. 68.00 G

## U.S.S.R. PROJECTILE, 85-MM, APHE-T, BR-365K

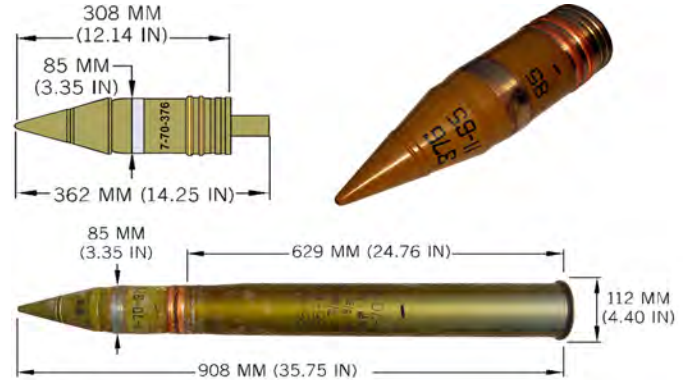


Ordnance used with:  
 UBR-365K, 85-MM, CARTRIDGE, APHE-T  
 MD-10, PROJECTILE, BD  
 MD-7, FUZE, PROJECTILE, BD  
 MD-8, PROJECTILE, BD

## U.S.S.R. PROJECTILE, 85-MM, APHE-T, BR-367

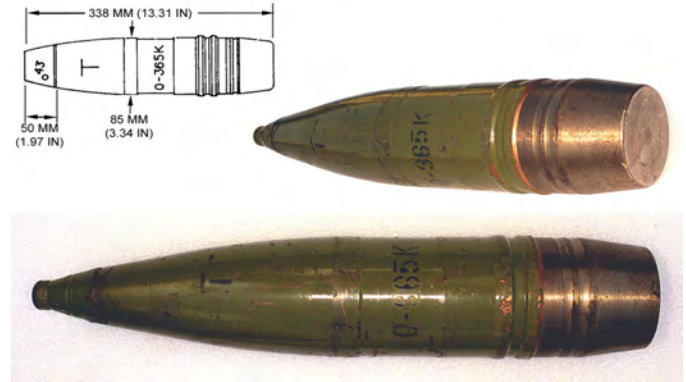
Ordnance used with:  
TYPE 367, 85-MM, CARTRIDGE, APHE-T  
UBR-367, 85-MM, CARTRIDGE, APHE-T  
DBR-2, PROJECTILE, BD  
MD-8, PROJECTILE, BD

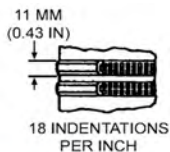
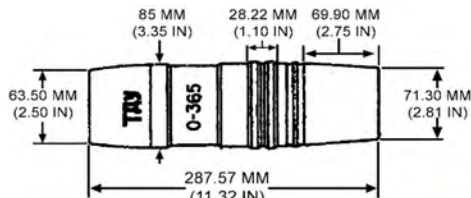
N.E.W. 127.00 G



## U.S.S.R. PROJECTILE, 85-MM, FIXED, FRAG, MODEL 0-365K

Ordnance used with:  
NSC-1, PROJECTILE, PDSD  
KTM-1, PROJECTILE, PD  
KTM-1U, PROJECTILE, PD  
KTM-1Y, PROJECTILE, PD  
KTM-2, PROJECTILE, PD  
KTM-3, PROJECTILE, PD  
KTM3-1, PROJECTILE, PD



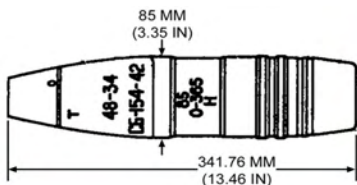


## U.S.S.R. PROJECTILE, 85-MM, HE, O-365 (ONE-PIECE)

Ordnance used with:  
 T-11, PROJECTILE, PTT  
 T-5, FUZE, PROJECTILE, PTT  
 VM-2, PROJECTILE, MT  
 UO-365, 85-MM, CARTRIDGE, HE  
 UO-365K, 85-MM, CARTRIDGE, FRAG



N.E.W. 650.00 G



## U.S.S.R. PROJECTILE, 85-MM, HE, O-365 (TWO-PIECE)

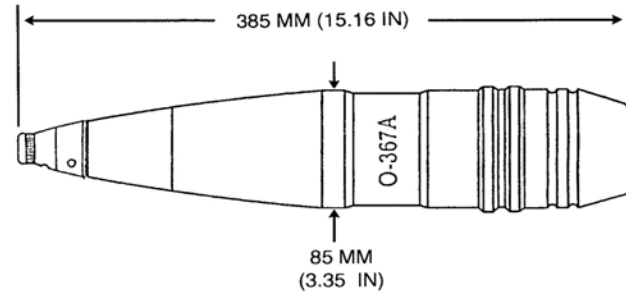
Ordnance used with:  
 KTM-1, PROJECTILE, PD  
 KTM-1U, PROJECTILE, PD  
 KTM-1Y, PROJECTILE, PD  
 KTM-2, PROJECTILE, PD  
 KTM-3, PROJECTILE, PD  
 KTM3-1, PROJECTILE, PD  
 KTMZ-1, PROJECTILE, PD



N.E.W. 708.00 G

## U.S.S.R. PROJECTILE, 85-MM, HE, O-367A

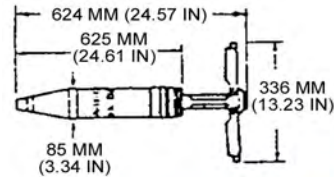
Ordnance used with:  
KTM-1U, PROJECTILE, PD  
KTM-1Y, PROJECTILE, PD  
UO-367A, CARTRIDGE, 85MM, FRAG



N.E.W. 670.00 G

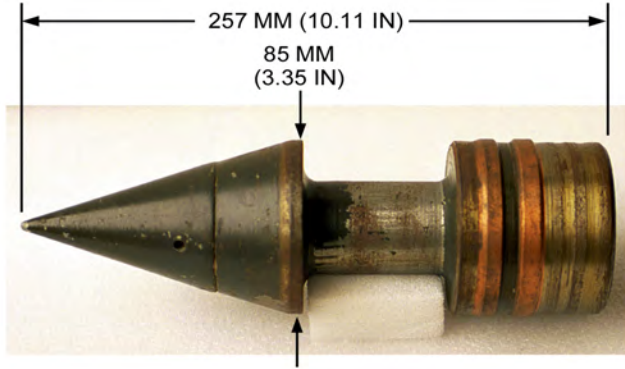
## U.S.S.R. PROJECTILE, 85-MM, HEAT-FS, MODEL BK-2M

Ordnance used with:  
GPV-2, PROJECTILE, PIBD, SPITBACK  
UBK-1M, 85MM, CARTRIDGE, HEAT-FS



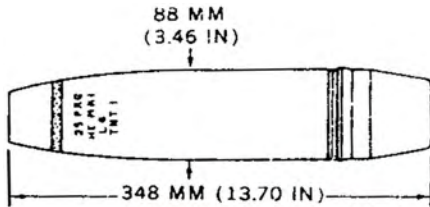
N.E.W. 962.00 G





**U.S.S.R. PROJECTILE, 85-MM, HVAP-T, MODEL BR-365P**

Ordnance used with:  
UBR-365P, CARTRIDGE, 85MM, HVAP-T



**U.K. PROJECTILE, 88-MM, HE, QF, (25-LB) MK 1**

Ordnance used with:  
L10, MARK 1, PROJECTILE, BD  
NO. 117 MK 10, PROJECTILE, PD  
NO. 117 MK 11, PROJECTILE, PD  
NO. 117 MK 12, PROJECTILE, PD  
NO. 117 MK 13, PROJECTILE, PD  
NO. 117 MK 14, PROJECTILE, PD  
NO. 117 MK 15, PROJECTILE, PD  
N.E.W. 800.00 G



## BELGIAN CARTRIDGE, 90-MM, HE, NR501

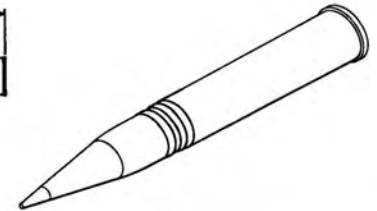
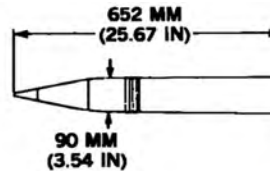
Ordnance used with:  
NR 2495, PROJECTILE, PD  
NR 501, 90-MM, HE-T

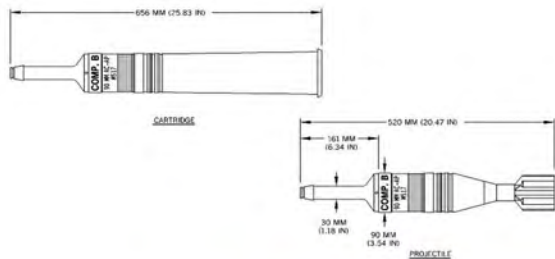


---

## BELGIAN CARTRIDGE, 90-MM, HEAT, MODELS NR 478 & NR 488

Ordnance used with:  
NR 488, 90-MM, HEAT  
NR 488, 90-MM, CARTRIDGE, HEAT  
NR 2 515, PROJECTILE, PIBD



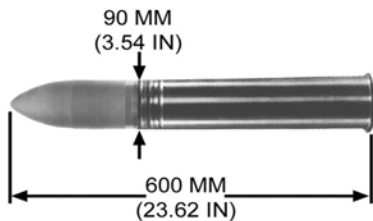


## BELGIAN CARTRIDGE, 90-MM, HEAT-T, M517

Ordnance used with:  
 M517, 90-MM, HEAT-T  
 M517, 90MM, CARTRIDGE, HEAT-T  
 M517, 90MM, HEAT-T  
 M509A1, PIBD  
 M509E6



N.E.W. 478.00 G



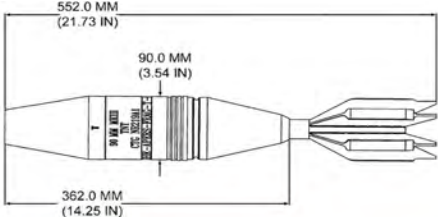
## BELGIAN CARTRIDGE, 90-MM, HEP-T, M625

Ordnance used with:  
 M625, 90-MM, HEP-T  
 M625, 90-MM, HESH-T  
 NR-503. 90-MM, HEP-T



**BELGIAN PROJECTILE, 90-MM, HE-FRAG, NR 219A1**

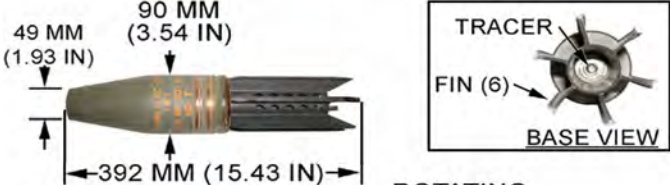
Ordnance used with:  
NR 2495, PROJECTILE, PD

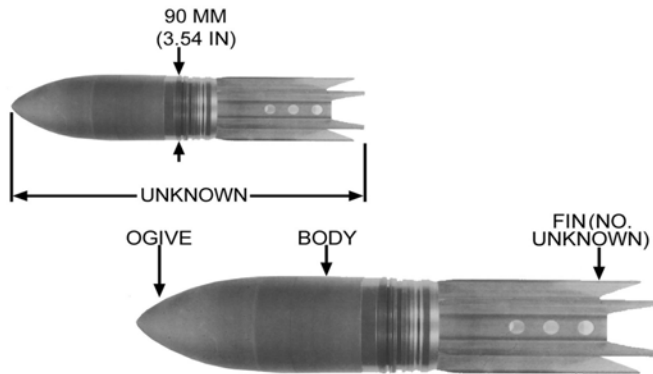


N.E.W. 1.31 KG

**BELGIAN PROJECTILE, 90-MM, HE-T, NR 501A2**

Ordnance used with:  
NR 2495, PROJECTILE, PD  
NR 501A2, 90-MM, CARTRIDGE, HE-T

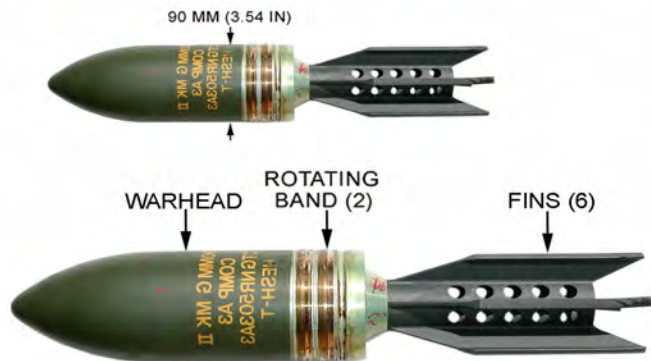




### BELGIAN PROJECTILE, 90-MM, HEP-T, M625

Ordnance used with:  
 M625, 90-MM, CARTRIDGE, HEP-T  
 M625, 90-MM, CARTRIDGE, HESH-T

N.E.W. 1.30 KG

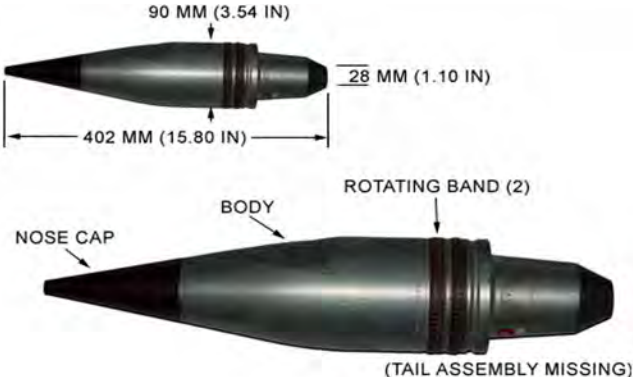


### BELGIAN PROJECTILE, 90-MM, HEP-T, NR 503 A3

Ordnance used with:  
 NR 503 A3, 90MM, CARTRIDGE, HEP-T  
 NR 503A3, 90MM, CARTRIDGE, HEP-T  
 NR503A3, 90MM, CARTRIDGE, HEP-T  
 NR 2 490, PROJECTILE, BD  
 NR 2490, PROJECTILE, BD

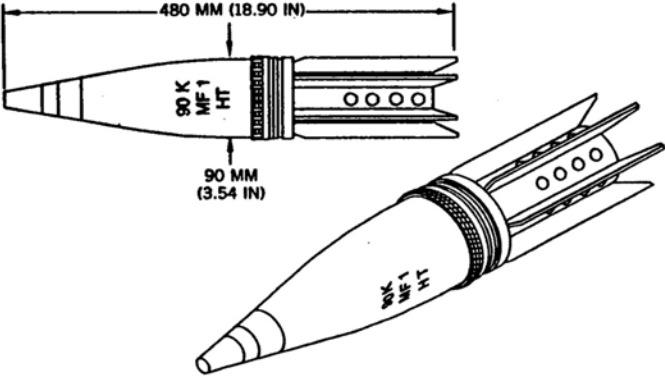
N.E.W. 1.10 KG

**BELGIAN PROJECTILE, 90-MM, TP-T, NR6479A3**

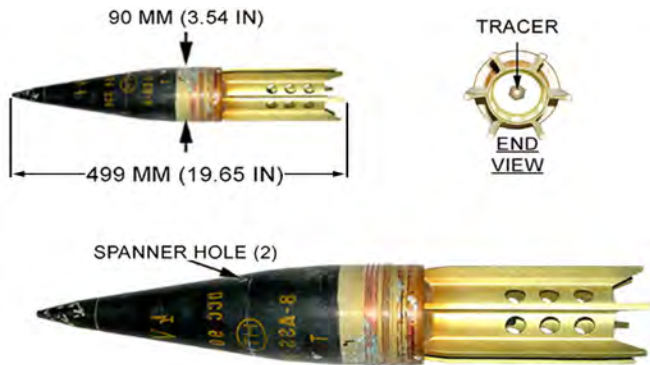


**FRENCH PROJECTILE, 90-MM, HE, MF-1**

Ordnance used with:  
FUI-F2, PROJECTILE, PD  
FUI F1, PROJECTILE, PD



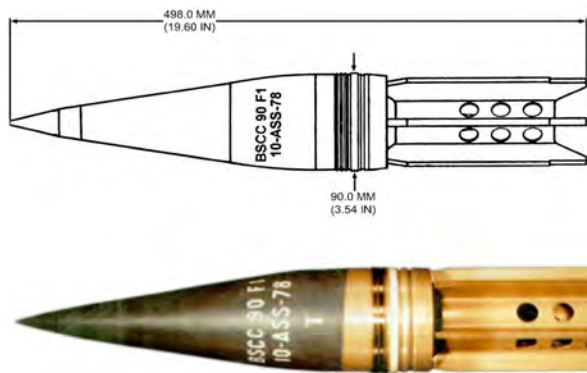
N.E.W. 945.00 G



## FRENCH PROJECTILE, 90-MM, HEAT-T, OCC 90 62

Ordnance used with:  
 OCC 90 62, 90MM, CARTRIDGE, HEAT-T  
 G4C, PROJECTILE, PIBD

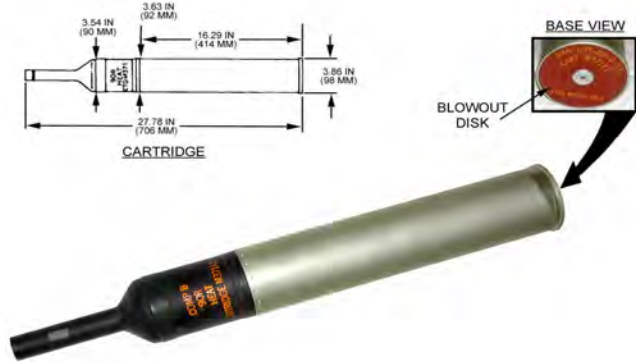
N.E.W. 670.00 G



## FRENCH PROJECTILE, 90-MM, HEAT-TP, BSCC

## U.S. CARTRIDGE, 90-MM, HEAT, M371A1

Ordnance used with:  
M371A1, 90-MM, HEAT  
M530, PIBD  
T278E7, PIBD  
M509, PIBD  
M509A1, PIBD  
M509E6  
M509A2, PROJECTILE, PIBD  
N.E.W. 1.42 KG

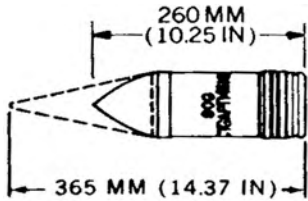


## U.S. CARTRIDGE, 90-MM, HEAT, M371E1

Ordnance used with:  
M530, PIBD  
T278E7, PIBD  
M509, PIBD  
M509A1, PIBD  
M509E6  
M530A1, PIBD  
T278E8, PIBD  
N.E.W. 1.46 KG







### U.S. PROJECTILE, 90-MM, AP-T, M318A1

Ordnance used with:  
M318, CARTRIDGE, 90 MM, AP-T  
T33E7, CARTRIDGE, 90 MM, AP-T



N.E.W. 1.00 G



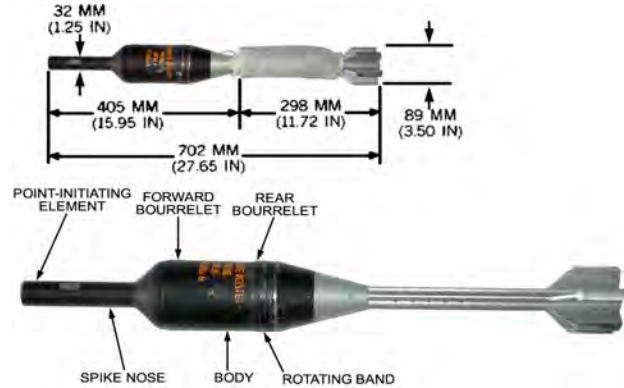
### U.S. PROJECTILE, 90-MM, HE, M71

Ordnance used with:  
M48, PROJECTILE, PD  
M48A1, PROJECTILE, PD  
M48A2, FUZE, PROJECTILE, PD  
M48A3, FUZE, PROJECTILE, PD  
M501, FUZE, PROJECTILE, MTSQ  
M501A1, FUZE, PROJECTILE, MTSQ  
M502, FUZE, PROJECTILE, MTSQ

N.E.W. 2.25 LB

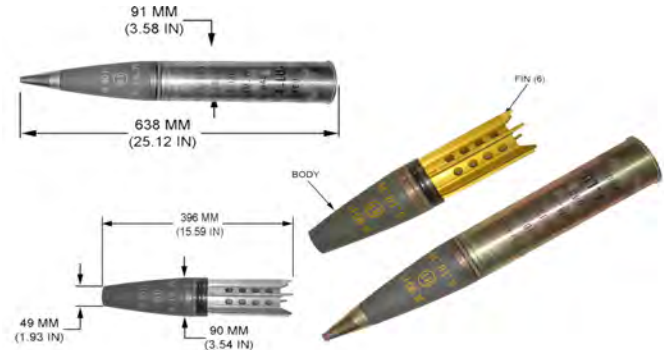
## U.S. PROJECTILE, 90-MM, HEAT, M371E1

Ordnance used with:  
M371E1, 90-MM, CARTRIDGE, HEAT



## FRENCH CARTRIDGE, 90-MM, HE, OE 90 F1

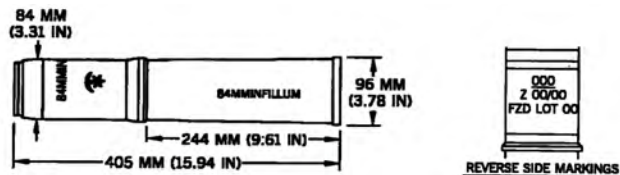
Ordnance used with:  
0E90F1, CARTRIDGE, 90-MM, HE  
FUI-F2, PROJECTILE, PD  
OE 90 F1, 90-MM, HE-T  
FUI F1, PROJECTILE, PD  
OE 90 F2, 90MM, CARTRIDGE, HE-T  
OE 90 F3, 90MM, CARTRIDGE, HE-T  
OE 90 F4, 90MM, CARTRIDGE, HE-T  
N.E.W. 1.55 KG





## CHINESE CARTRIDGE, 57-MM, HE-T, TYPE 59

Ordnance used with:  
 ML-2  
 ML-2, PROJOECTILE, PDSO  
 ML2, PROJECTILE, PD  
 LIU 2, PROJECTILE, PDSO  
 TYPE 59, 57MM, CARTRIDGE, HE  
 TYPE 59, 57MM, HE



## SWEDISH CARTRIDGE, 84-MM, ILLUMINATION, FFV 545

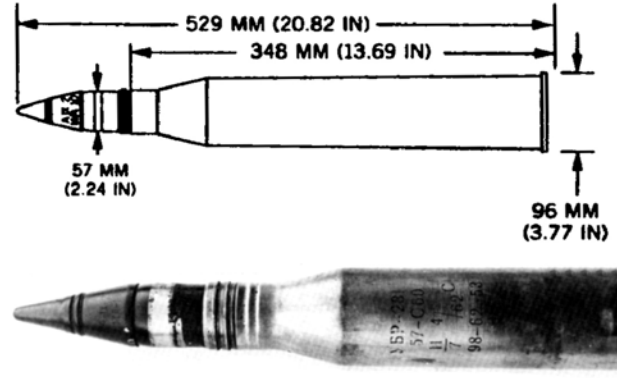
Ordnance used with:  
 UNKNOWN, PTT  
 FFV 545, 84 MM, ILLUMINATING



## U.S.S.R. CARTRIDGE, 57-MM, APHE-T, UBR-281

Ordnance used with:  
MD-10, PROJECTILE, BD  
BR-281, 57-MM, APHE-T  
ZSU-57-2, AIR DEFENSE GUN, 57MM, TWIN  
S-60, AIR DEFENSE GUN, 57MM, TOWED

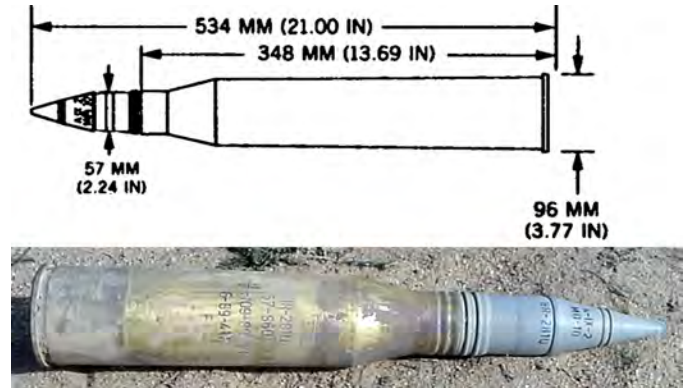
N.E.W. 18.00 G

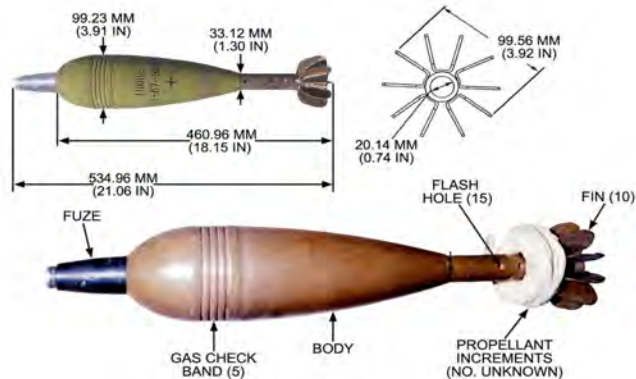


## U.S.S.R. CARTRIDGE, 57-MM, APHE-T, UBR-281U

Ordnance used with:  
MD-10, PROJECTILE, BD  
BR-281U, 57-MM, APHE-T  
ZSU-57-2, AIR DEFENSE GUN, 57MM, TWIN  
S-60, AIR DEFENSE GUN, 57MM, TOWED

N.E.W. 18.00 G





## CHINESE PROJECTILE, 100-MM, HE, MORTAR, TYPE 71

Ordnance used with:  
PAI-4, PROJECTILE, PD  
TYPE PAI-4, PROJECTILE, PD  
MP-4, PROJECTILE, PD  
MP4, PROJECTILE, PD  
TYPE 71, 100MM, HE, MORTAR  
M-12  
M12, PROJECTILE, PD  
N.E.W. 938.00 G



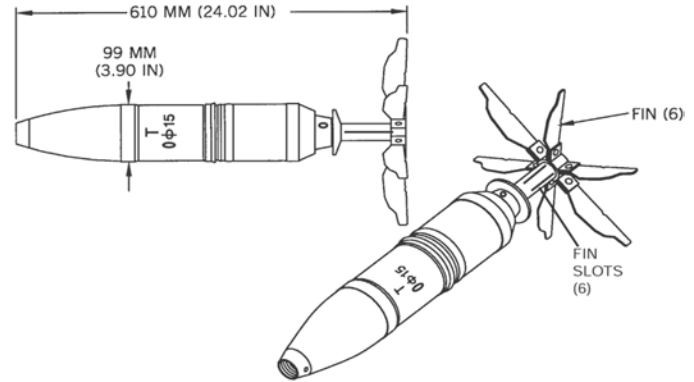
## CHINESE PROJECTILE, 100-MM, ILLUM, MORTAR, TYPE 71

Ordnance used with:  
MS-3A, PROJECTILE, PTT  
SHI-3, PROJECTILE, PTT  
TYPE 71, 100MM, CARTRIDGE, ILLUMINATION, MORTAR

N.E.W. 870.75 G

## U.S.S.R. PROJECTILE, 100-MM, HE, OF15

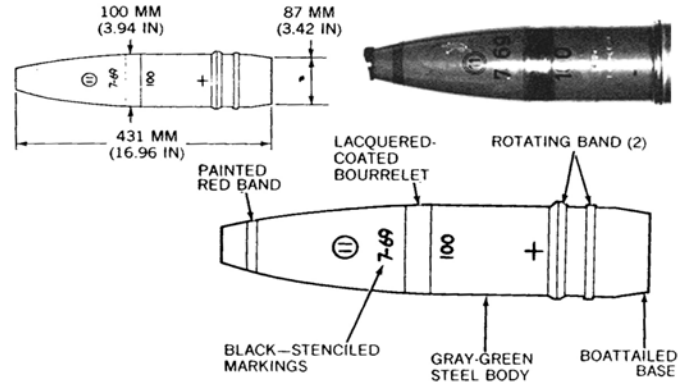
Ordnance used with:  
V-429E, PROJECTILE, PD  
UOF-3, 100-MM, CARTRIDGE, HE  
UOF3, 100-MM, CARTRIDGE, HE

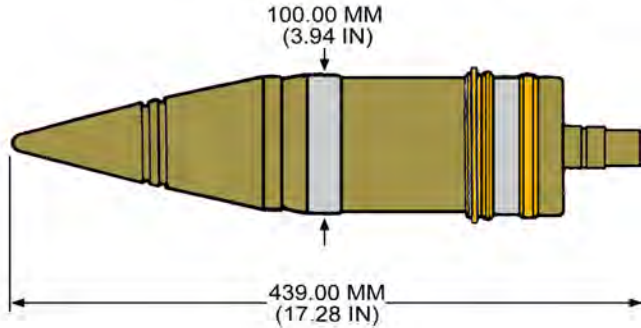


N.E.W. 2.23 KG

## BULGARIAN PROJECTILE, 100-MM, FRAG-HE, OF-412

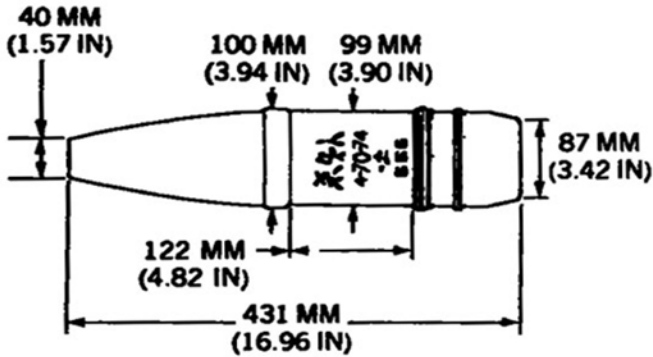
Ordnance used with:  
VUBS-1, PROJECTILE, PDSD  
NSC-1, PROJECTILE, PDSD  
RGM, PROJECTILE, PD  
RGM-2, PROJECTILE, PD  
RGM-3, PROJECTILE, PD  
RGM-6, PROJECTILE, PD  
V-429, PROJECTILE, PD





**CHINESE PROJECTILE, 100-MM, APHE, PSV**

N.E.W. 0.13 LB



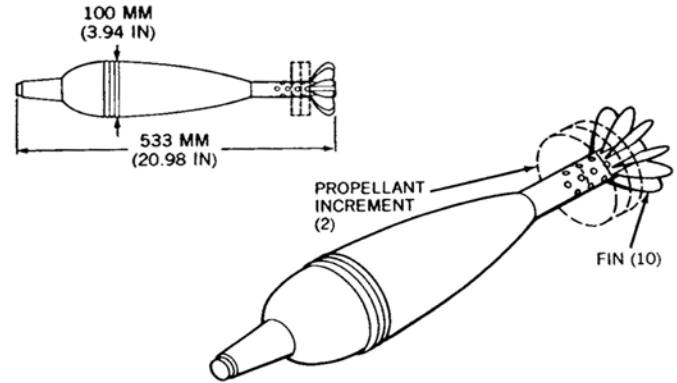
**CHINESE PROJECTILE, 100-MM, FRAG, HE, MODEL UNKNOWN**

Ordnance used with:  
 ML-5  
 ML5, PROJECTILE, PD  
 UNKNOWN, 100MM, CARTRIDGE, HE-FRAG

N.E.W. 1.50 KG

## CHINESE PROJECTILE, 100-MM, HE, MORTAR, MODEL UNKNOWN

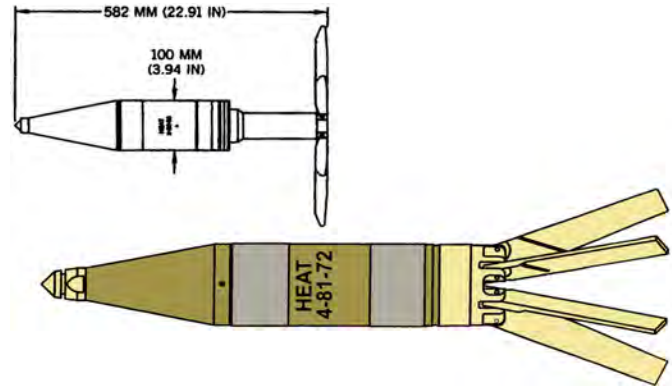
Ordnance used with:  
PUI-4, PROJECTILE, PD



N.E.W. 960.00 G

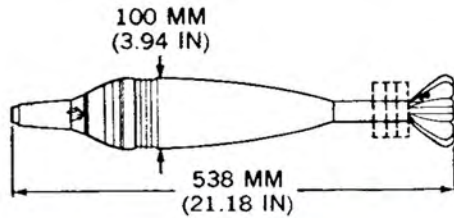
## CHINESE PROJECTILE, 100-MM, HEAT, TYPE 73

Ordnance used with:  
MD-1G, PROJECTILE, PIBD  
TYPE 73, CARTRIDGE (FIXED), 100-MM, HEAT-T



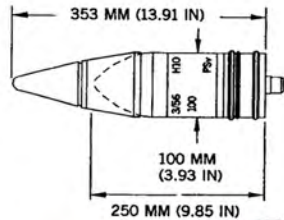
N.E.W. 897.00 G





**CHINESE PROJECTILE, 100-MM, SMOKE, MORTAR, MODEL UNKNOWN**

Ordnance used with:  
PUI-4, PROJECTILE, PD



END VIEW

**CZECHOSLOVAKIAN PROJECTILE, 100-MM, APHE-T**

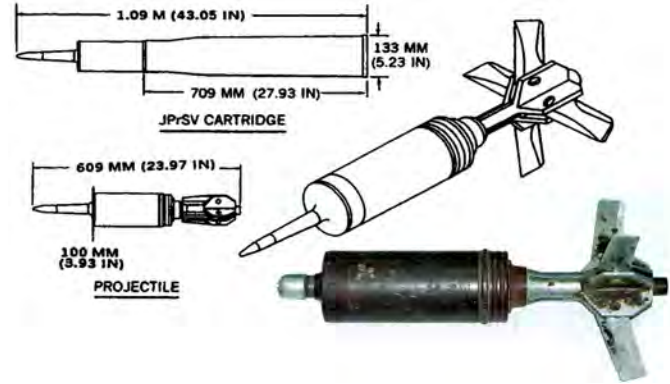
Ordnance used with:  
JPSV CARTRIDGE, 100-MM, APHE-T  
DBR-2, PROJECTILE, BD  
DZ 30, PROJECTILE, BD  
PD 30, PROJECTILE, BD



N.E.W. 96.00 G

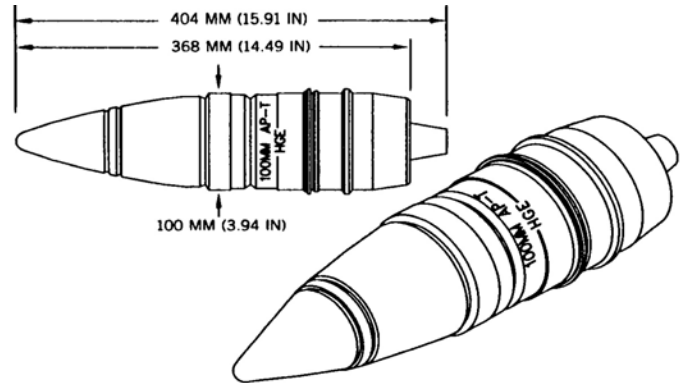
## CZECHOSLOVOKIAN PROJECTILE, 100-MM, HEAT, PRSV

Ordnance used with:  
JPrSV, CARTRIDGE, 100-MM, HEAT  
NZ-42, PROJECTILE, PIBD

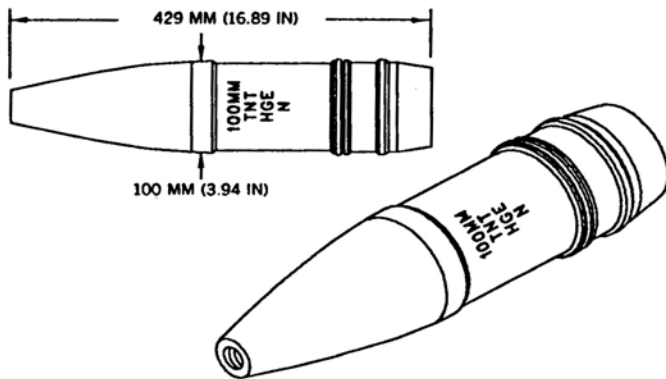


N.E.W. 936.00 G

## IRAQI PROJECTILE, 100-MM, APHE-T, MODEL UNKNOWN



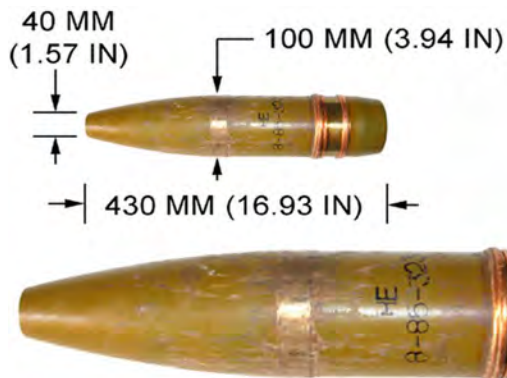
N.E.W. 60.00 G



### IRAQI PROJECTILE, 100-MM, HE, MODEL UNKNOWN

Ordnance used with:  
V-429, PROJECTILE, PD  
V-429E, PROJECTILE, PD

N.E.W. 1.50 KG

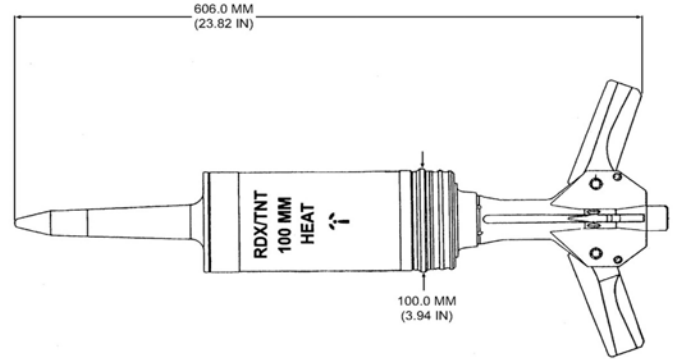


### IRAQI PROJECTILE, 100-MM, HE-FRAG, UO-415

Ordnance used with:  
ML-5  
ML5, PROJECTILE, PD  
UO-415, CARTRIDGE, 100MM, FRAG

N.E.W. 1.50 KG

**PAKISTANI PROJECTILE, 100-MM, HEAT-T, MODEL UNKNOWN**

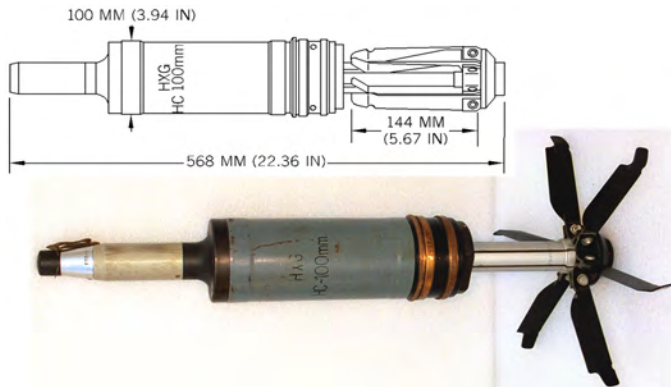


N.E.W. 0.95 KG

**ROMANIAN PROJECTILE, 100-MM, HEAT-T, BK412R**

Ordnance used with:  
GPV-2R, PROJECTILE, PIBD  
UBK-412R, 100-MM, HEAT-T, CARTRIDGE





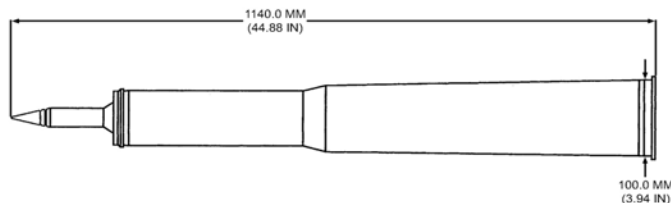
## ROMANIAN PROJECTILE, 100-MM, HEAT-T, HXG

Ordnance used with:  
GPV-2, PROJECTILE, PIBD, SPITBACK  
HXG, 100 MM, HEAT-T, CARTRIDGE  
HXG, CTG, 100MM, HEAT-T  
GPV-2R, PROJECTILE, PIBD

N.E.W. 1.04 KG

---

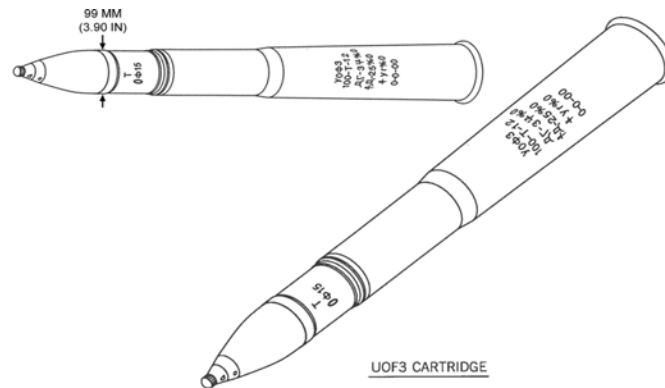
## U.S.S.R. CARTRIDGE, 100-MM, 3UBM10 WITH PROJECTILE, APDS-FS, 3BM24



Ordnance used with:  
3BM24, 100-MM, APFSDS  
BM-24, 100-MM, APFSDS  
3UBM10, CARTRIDGE, 100-MM, APFSDS  
UBM-10, CARTRIDGE, 100-MM, APFSDS

## U.S.S.R. CARTRIDGE, 100-MM, HE, UOF-3

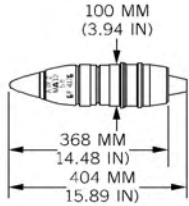
Ordnance used with:  
V-429E, PROJECTILE, PD  
OF15, 100-MM, HE



## U.S.S.R. CARTRIDGE, 100-MM, HVAPDS-T, MODEL UBM-6

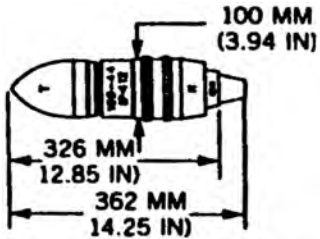
Ordnance used with:  
BM-8, 100-MM, HVAPDS-T  
BM8, 100-MM, HVAPDS-T





## U.S.S.R. PROJECTILE, 100-MM, APHE OR APHE-T, BR-412B

Ordnance used with:  
 DBR, PROJECTILE, BD  
 DBR-2, PROJECTILE, BD  
 UBR-412B, CARTRIDGE, 100MM, APHE-T  
 UBZR, CARTRIDGE, 100-MM, APHE-T  
 MD-8, PROJECTILE, BD  
 UBR-412, CARTRIDGE, 100-MM, APHE OR APHE-T



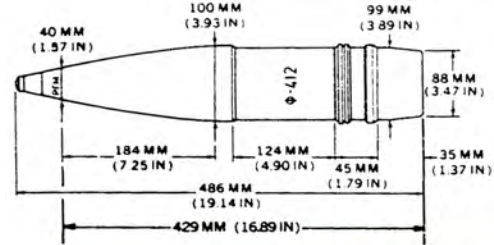
## U.S.S.R. PROJECTILE, 100-MM, APHE-T, BR-412

Ordnance used with:  
 DBR, PROJECTILE, BD  
 DBR-2, PROJECTILE, BD  
 UBR-412, 100-MM, CARTRIDGE, APHE-T  
 MD-8, PROJECTILE, BD

N.E.W. 54.00 G

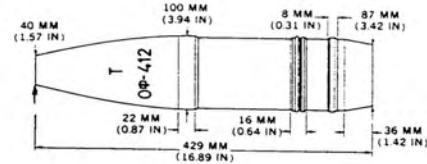
## U.S.S.R. PROJECTILE, 100-MM, FRAG, HE, MODEL F-412

Ordnance used with:  
RGM, PROJECTILE, PD

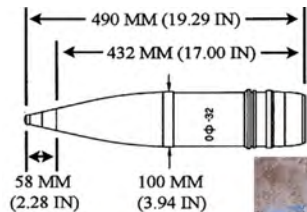


## U.S.S.R. PROJECTILE, 100-MM, FRAG, HE, MODEL OF-412

Ordnance used with:  
NSC-1, PROJECTILE, PDSD  
RGM, PROJECTILE, PD  
RGM-2, PROJECTILE, PD  
RGM-3, PROJECTILE, PD  
RGM-6, PROJECTILE, PD  
V-429, PROJECTILE, PD  
V-429E, PROJECTILE, PD  
N.E.W. 1.46 KG



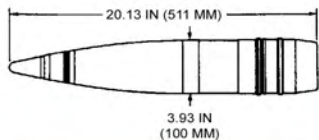




### U.S.S.R. PROJECTILE, 100-MM, HE, OF-32

Ordnance used with:  
 V-429, PROJECTILE, PD  
 V-429E, PROJECTILE, PD  
 3UOF10, 100-MM, CARTRIDGE, HE  
 UOF-10, 100-MM, CARTRIDGE, HE  
 3UOF11, CARTRIDGE, 100MM, HE

N.E.W. 1.70 KG

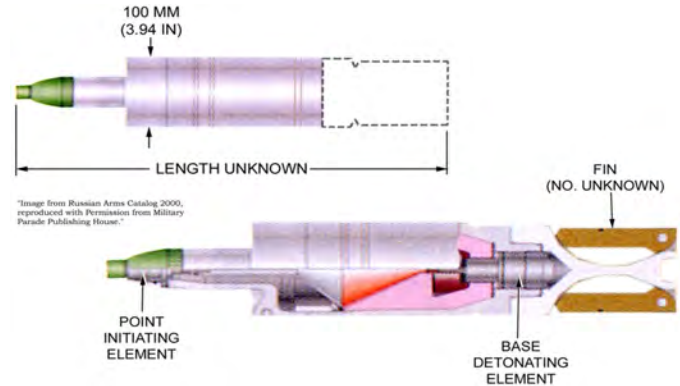


### U.S.S.R. PROJECTILE, 100-MM, HE-FRAG, MODEL 0-415

Ordnance used with:  
 KTM-1, PROJECTILE, PD  
 VM-30, PROJECTILE, MT  
 VM-30L, PROJECTILE, MT  
 UO-415, CARTRIDGE, 100MM, FRAG

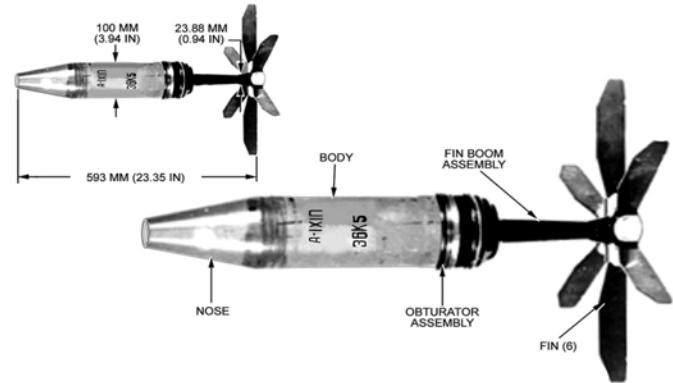
## U.S.S.R. PROJECTILE, 100-MM, HEAT, 3BK16M

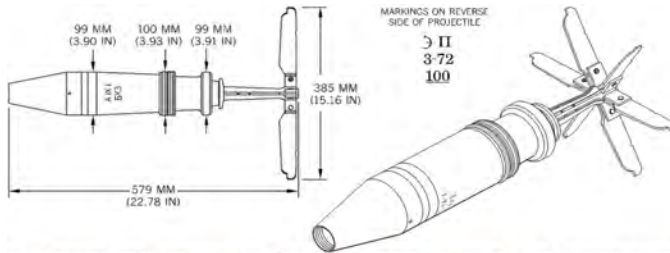
Ordnance used with:  
3UBK8, 100-MM, CARTRIDGE, HEAT-FS  
V-15, FUZE, PROJECTILE, PIBD  
UBK-8M, CARTRIDGE, 100MM, HEAT



## U.S.S.R. PROJECTILE, 100-MM, HEAT-FS, 3BK-5M

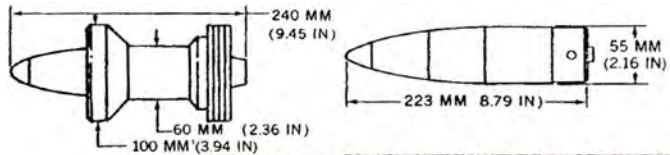
Ordnance used with:  
GPV-2, PROJECTILE, PIBD, SPITBACK  
UBK-4M, CARTRIDGE, 100-MM, HEAT-FS





### U.S.S.R. PROJECTILE, 100-MM, HEAT-FS-T, BK-3

Ordnance used with:  
 GPV-2, PROJECTILE, PIBD, SPITBACK  
 GPV-3, PROJECTILE, PIBD  
 UBK-2, 100MM, CARTRIDGE, HEAT



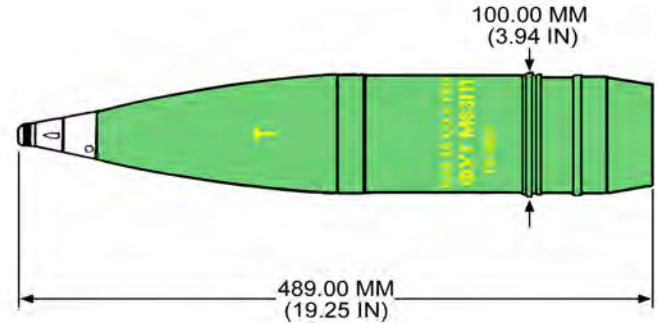
### U.S.S.R. PROJECTILE, 100-MM, HVAPDS-T, MODEL BM8

Ordnance used with:  
 UBM-6, 100-MM, CARTRIDGE, HVAPDS-T



## YUGOSLAV PROJECTILE, 100-MM, HE, M63P1

Ordnance used with:  
UTIU M63P1, PROJECTILE, PD  
UTIU M63, PROJECTILE, PD

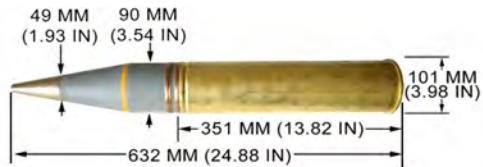


N.E.W. 1.46 KG

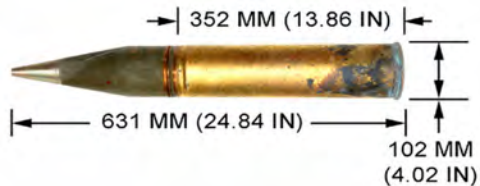
## YUGOSLAV PROJECTILE, 100-MM, HEAT-T, MODEL M69

Ordnance used with:  
AU-16, PROJECTILE, PIBD  
M69, PROJECTILE, PIBD  
UT PE M69, PROJECTILE, PIBD  
UT-PE.M69, PROJECTILE, PIBD  
M69, 100-MM, HEAT-T, CARTRIDGE





**BELGIAN CARTRIDGE, 90-MM, SMOKE-T, NR502A3**



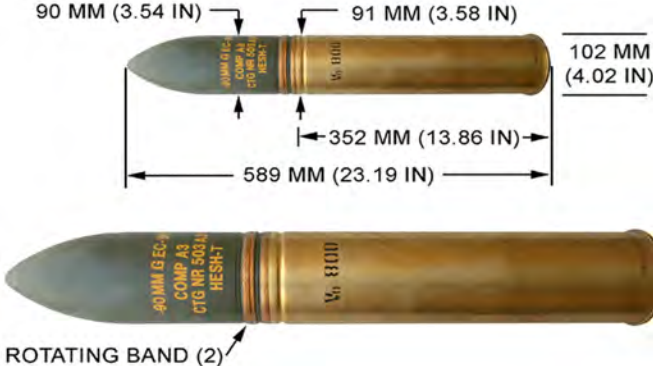
**BELGIAN CARTRIDGE, 90-MM, HE-T, NR 501A2**

Ordnance used with:  
NR 2495, PROJECTILE, PD  
NR 501A2, 90MM, HE-T



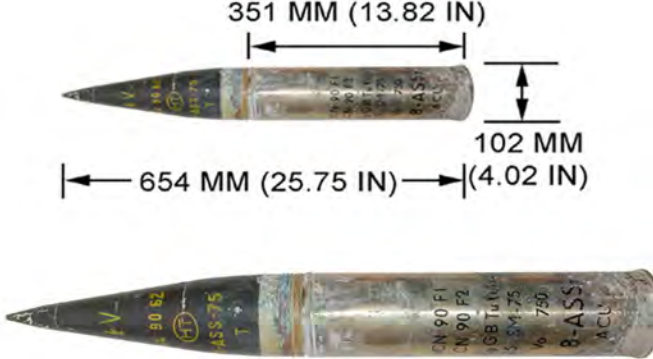
**BELGIAN CARTRIDGE, 90-MM, HEP-T, NR 503 A3**

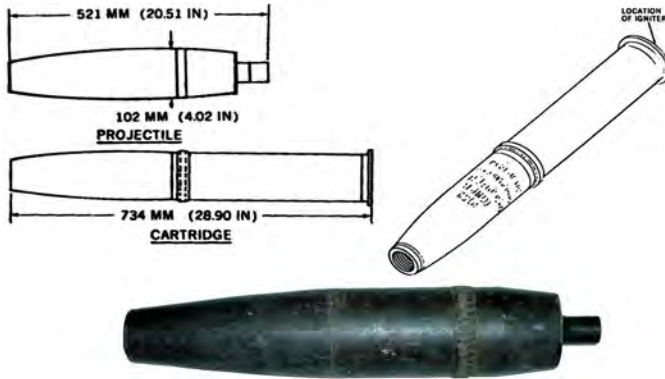
Ordnance used with:  
 NR 2 490, PROJECTILE, BD  
 NR 2490, PROJECTILE, BD  
 NR 503 A3, 90MM, HEP-T  
 NR503 A3, 90MM, HEP-T  
 NR503A3, 90MM, HEP-T



**FRENCH CARTRIDGE, 90-MM, HEAT-T, OCC 90 62**

Ordnance used with:  
 OCC 90 62, 90MM, HEAT-T  
 G4C, PROJECTILE, PIBD





## U.S. PROJECTILE, 105-MM, HERA, M548 (XM548E1)

Ordnance used with:

M513 (T226), FUZE, PROJECTILE, VT  
M513A1 (T226E2), FUZE, PROJECTILE, VT  
M513A2, FUZE, PROJECTILE, VT  
T226E3, FUZE, PROJECTILE, VT  
M513A2/1, FUZE, PROJECTILE, VT  
T226E3A, FUZE, PROJECTILE, VT  
M513A2/2, FUZE, PROJECTILE, VT

N.E.W. 3.82 KG

---

## U.S.S.R. CARTRIDGE, 85-MM, APHE-T, UBR-365K



Ordnance used with:

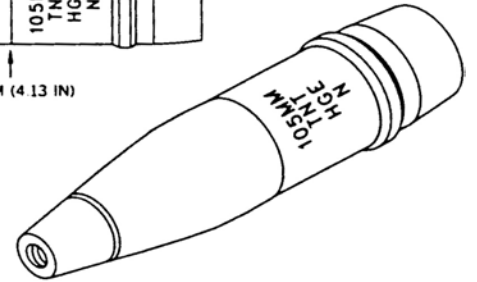
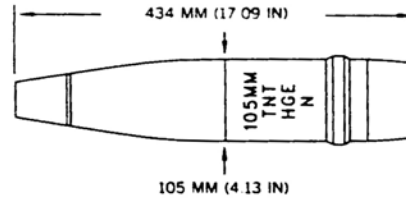
BR-365K, 85 MM, APHE-T  
MD-10, PROJECTILE, BD  
MD-5, PROJECTILE, BD  
MD-7, FUZE, PROJECTILE, BD  
MD-8, PROJECTILE, BD  
KS-12, AIR DEFENSE GUN, 85MM, TOWED

**IRANIAN PROJECTILE, 105-MM, HE, MODEL UNKNOWN**

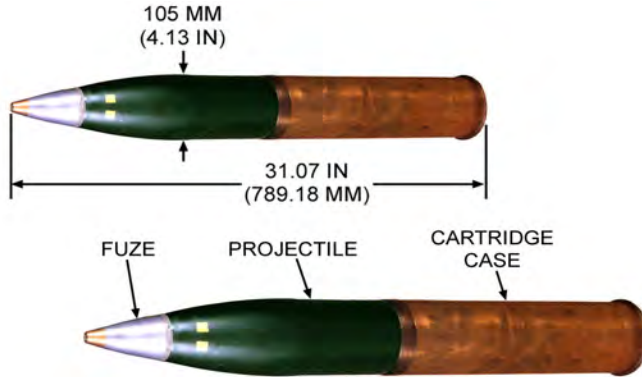


**IRAQI PROJECTILE, 105-MM, HE, MODEL UNKNOWN**

Ordnance used with:  
V-429, PROJECTILE, PD  
V-429E, PROJECTILE, PD  
B-90, PROJECTILE, MTSQ  
V-90, PROJECTILE, MTSQ





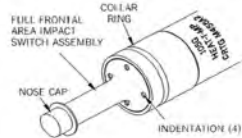
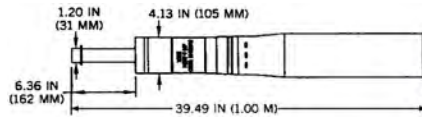


## U.S. CARTRIDGE, 105-MM, HE, M1

Ordnance used with:

- M1, 105-MM, HE
- M48, PROJECTILE, PD
- M48A1, PROJECTILE, PD
- M48A2, FUZE, PROJECTILE, PD
- M48A3, FUZE, PROJECTILE, PD
- M500, FUZE, PROJECTILE, MTSQ
- M501, FUZE, PROJECTILE, MTSQ

N.E.W. 3.59 KG



## U.S. CARTRIDGE, 105-MM, HEAT-T-MP, M456A2

Ordnance used with:

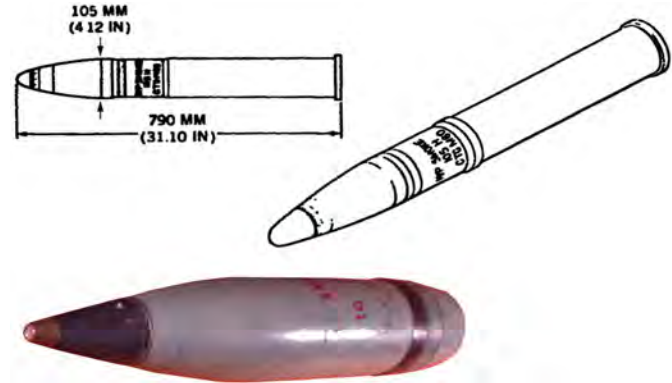
- M456A2, 105-MM, HEAT-T-MP
- M509, PIBD
- M509A1, PIBD
- M509E6
- M509A2, PROJECTILE, PIBD

N.E.W. 13.25 LB

## U.S. CARTRIDGE, 105-MM, SMOKE, WP, M60A1

Ordnance used with:  
M508, PROJECTILE, PD  
M508A1, PROJECTILE, PD  
M51A5, FUZE, PROJECTILE, PD  
M557, FUZE, PROJECTILE, PD  
M55A2, FUZE, PROJECTILE, TSQ  
M55A3, FUZE, PROJECTILE, TSQ  
M55A1, PROJECTILE, TSQ

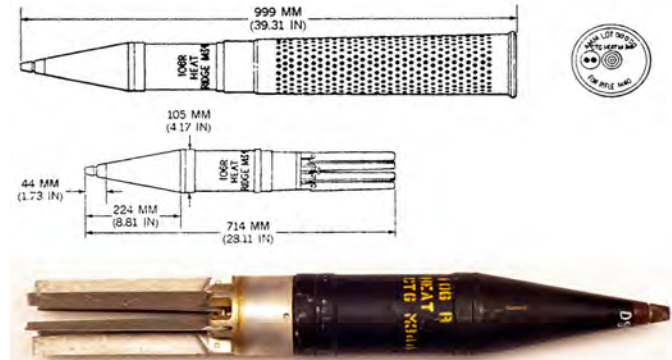
N.E.W. 3.00 LB



## U.S. CARTRIDGE, 106-MM, HEAT, M344

Ordnance used with:  
M530, PIBD  
T278E7, PIBD  
M509, PIBD  
M509A1, PIBD  
M509E6  
M344, PROJECTILE, 106-MM, HEAT  
M509A2, PROJECTILE, PIBD

N.E.W. 5.03 KG





### U.S. PROJECTILE, 105-MM, HE, M1

Ordnance used with:  
M48, PROJECTILE, PD  
M48A1, PROJECTILE, PD  
M48A2, FUZE, PROJECTILE, PD  
M48A3, FUZE, PROJECTILE, PD  
M500, FUZE, PROJECTILE, MTSQ  
M501, FUZE, PROJECTILE, MTSQ  
M501A1, FUZE, PROJECTILE, MTSQ

N.E.W. 2.30 KG



### U.S. PROJECTILE, 105-MM, HEAT, M67

Ordnance used with:  
M62, PROJECTILE, BD  
M62A2, PROJECTILE, BD  
M62A1, PROJECTILE, BD  
M91A2, PROJECTILE, BD  
M67, PROJECTILE, BD  
M14, 105MM, PROPELLING CHARGE

N.E.W. 2.10 KG

## U.S. PROJECTILE, 105-MM, HEAT-T-MP, M456A2

Ordnance used with:

M509, PIBD

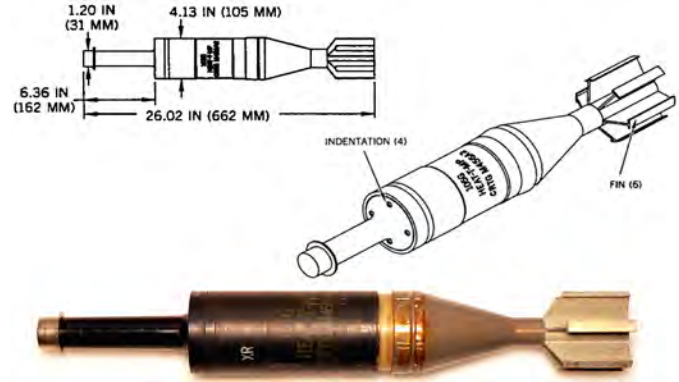
M509A1, PIBD

M509E6

M509A2, PROJECTILE, PIBD

M456A2, 105-MM, CARTRIDGE, HEAT-T-MP

N.E.W. 2.00 LB



## U.S. PROJECTILE, 105-MM, HERA, M548

Ordnance used with:

M501, FUZE, PROJECTILE, MTSQ

M501A1, FUZE, PROJECTILE, MTSQ

M513 (T226), FUZE, PROJECTILE, VT

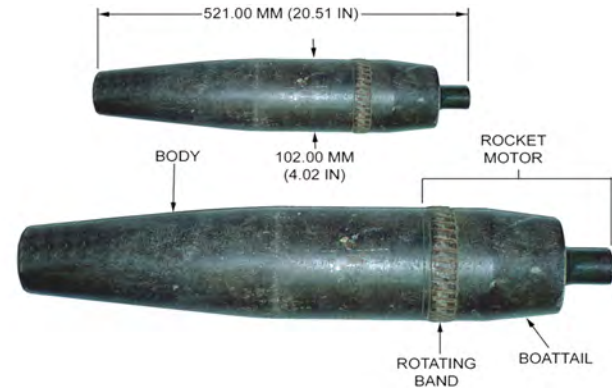
M513A1 (T226E2), FUZE, PROJECTILE, VT

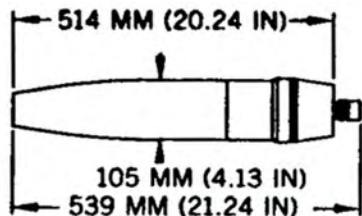
M513A2, FUZE, PROJECTILE, VT

T226E3, FUZE, PROJECTILE, VT

M513A2/1, FUZE, PROJECTILE, VT

N.E.W. 3.23 KG

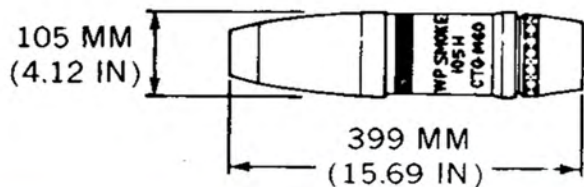




## U.S. PROJECTILE, 105-MM, HERA, M912

Ordnance used with:  
 M582, FUZE, PROJECTILE, MTSQ  
 M582A1, FUZE, PROJECTILE, MTSQ  
 M728, FUZE, PROJECTILE, PROXIMITY  
 M732 PROJECTILE, PROXIMITY  
 M739, FUZE, PROJECTILE, PD  
 M739A1, FUZE, PROJECTILE, PD  
 M913, CARTRIDGE, 105-MM, HERA

N.E.W. 5.46 KG



## U.S. PROJECTILE, 105-MM, SMOKE, WP, M60-SERIES

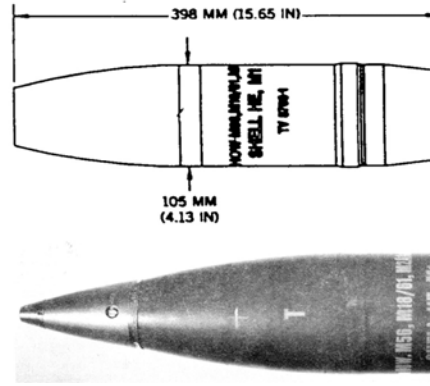
Ordnance used with:  
 M501, FUZE, PROJECTILE, MTSQ  
 M501A1, FUZE, PROJECTILE, MTSQ  
 M508, PROJECTILE, PD  
 M508A1, PROJECTILE, PD  
 M51A5, FUZE, PROJECTILE, PD  
 M55, PROJECTILE, TSQ  
 M557, FUZE, PROJECTILE, PD

N.E.W. 95.20 G

## YUGOSLAV PROJECTILE, 105-MM, HE, M1

Ordnance used with:  
BU-105 M79, PROJECTILE, PROXIMITY/PD  
AU-10, PROJECTILE, PF  
UTU M557, PROJECTILE, PD

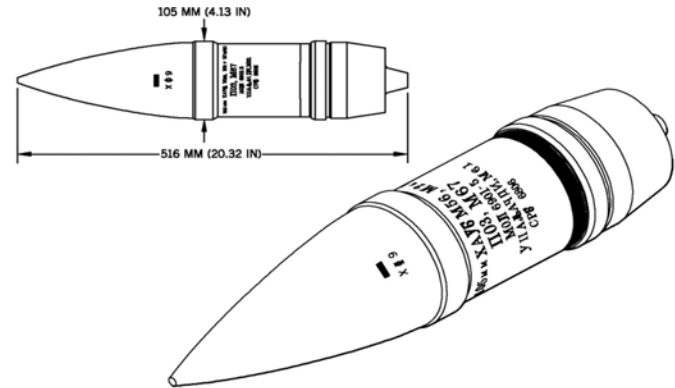
N.E.W. 2.20 KG



## YUGOSLAV PROJECTILE, 105-MM, HEP-T, M67

Ordnance used with:  
AU-14P1, FUZE, PROJECTILE, BD  
DI M61, BD, PROJECTILE FUZE  
M61, FUZE, PROJECTILE, BD

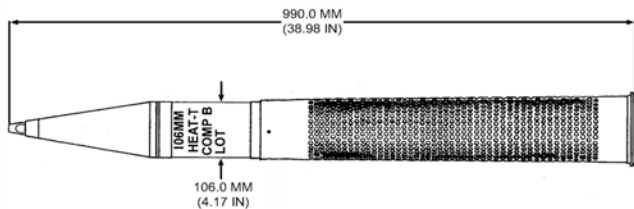
N.E.W. 2.06 KG





**BELGIAN PROJECTILE, 106-MM, RECOILLESS RIFLE,  
HE-AP, NR 483 A1**

Ordnance used with:  
NR 2421, PROJECTILE, PD  
NR 483A1, 106MM, HE-AP



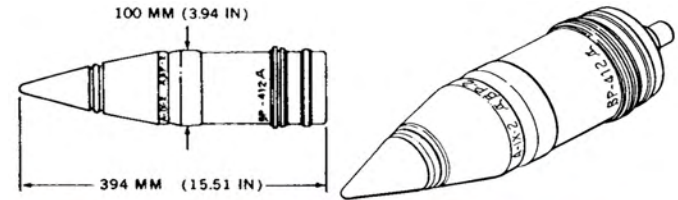
**IRANIAN CARTRIDGE, 106-MM, HEAT, RECOILLESS  
RIFLE, MODEL UNKNOWN**

Ordnance used with:  
RAAD, 106MM, ANTITANK GUN, RECOILLESS RIFLE  
M509A1, PIBD  
M509E6

N.E.W. 1.20 KG

**U.S.S.R. PROJECTILE, 100-MM, APC-T, MODEL  
BR-412D**

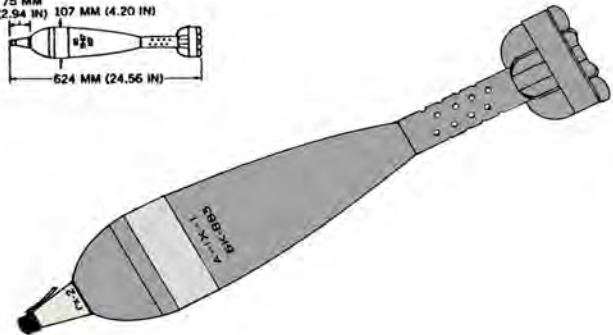
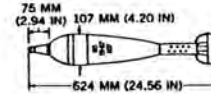
Ordnance used with:  
DBR-2, PROJECTILE, BD  
MD-8, PROJECTILE, BD



N.E.W. 2.00 OZ

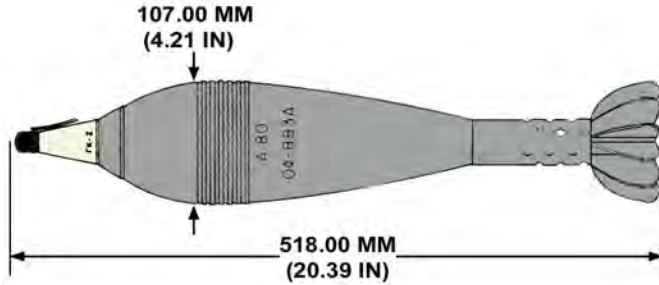
**U.S.S.R. PROJECTILE, 107-MM, BK-883**

Ordnance used with:  
BK-883, 107-MM, HEAT-T  
GK-2, FUZE, PROJECTILE, PD





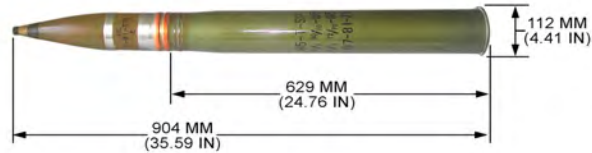
**U.S.S.R. PROJECTILE, 107-MM, MORTAR, HE-FRAG,  
OF-883A**



Ordnance used with:  
D-1, PROJECTILE, TSQ  
GK-2, FUZE, PROJECTILE, PD

N.E.W. 2.10 KG

**CHINESE CARTRIDGE, 85-MM, HE, MODEL  
UNKNOWN**

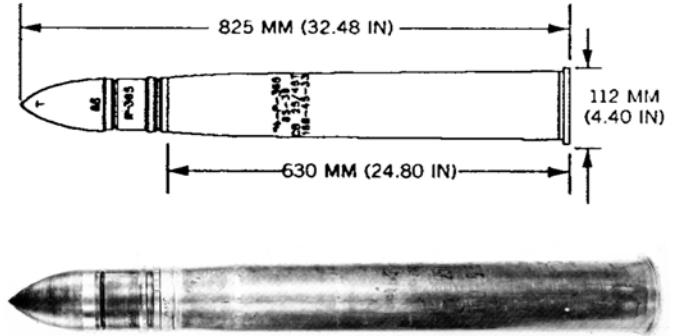


Ordnance used with:  
ML-5  
ML5, PROJECTILE, PD  
MODEL UNKNOWN, 85-MM, HE



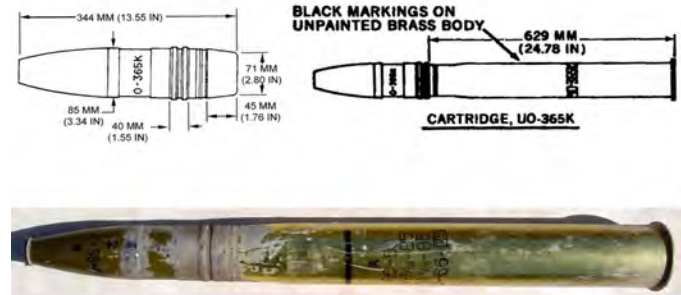
## U.S.S.R. CARTRIDGE, 85-MM, APHE-T, UBR-365

Ordnance used with:  
BR-365, 85-MM, APHE-T  
MD-10, PROJECTILE, BD  
MD-8, PROJECTILE, BD  
KS-12, AIR DEFENSE GUN, 85MM, TOWED



## U.S.S.R. CARTRIDGE, 85-MM, FIXED, FRAG, MODEL UO-365K

Ordnance used with:  
O-365, 85-MM, PROJECTILE, HE, (2 PIECE)  
O-365K, 85-MM, FRAG  
KTM-1, PROJECTILE, PD  
KTM-1U, PROJECTILE, PD  
KTM-1Y, PROJECTILE, PD  
KTM3-1, PROJECTILE, PD  
KTMZ-1, PROJECTILE, PD  
N.E.W. 3.39 KG





### **U.S.S.R. CARTRIDGE, 85-MM, HE, UO-365**



Ordnance used with:  
O-365, 85-MM, PROJECTILE, HE, (2 PIECE)  
KTM3-1, PROJECTILE, PD  
KTMZ-1, PROJECTILE, PD  
T-11, PROJECTILE, PTT  
T-5, FUZE, PROJECTILE, PTT  
VM-2, PROJECTILE, MT  
O-365 (ONE-PIECE), 85-MM, HE-FRAG



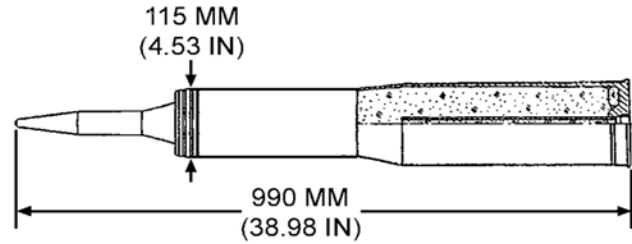
### **EGYPTIAN CARTRIDGE, 115-MM, HE, MODEL UNKNOWN**

Ordnance used with:  
AU-20E, PROJECTILE, PD

N.E.W. 7.29 KG

## U.S.S.R. CARTRIDGE, 115-MM, APFSDS-T, UBM-9

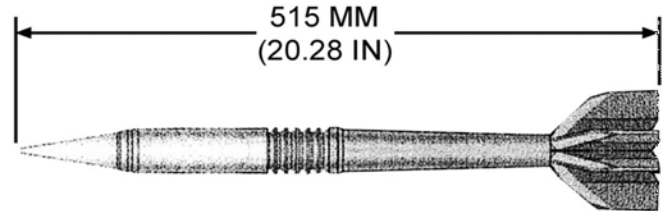
Ordnance used with:  
3BM21, 115-MM, APFSDS  
BM-21, 115-MM, APFSDS

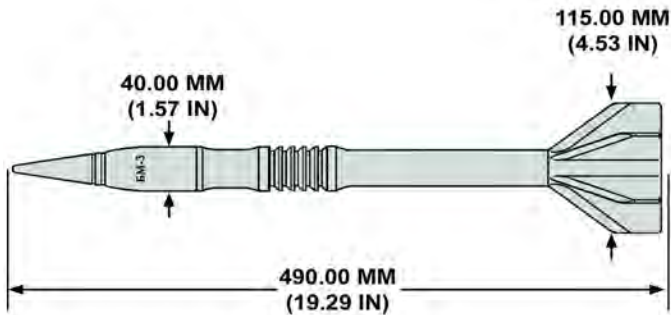


---

## U.S.S.R. PROJECTILE, 115-MM, APFSDS-T, BM-21

Ordnance used with:  
3UBM9, CARTRIDGE, 115-MM, APFSDS  
UBM-9, CARTRIDGE, 115-MM, APFSDS



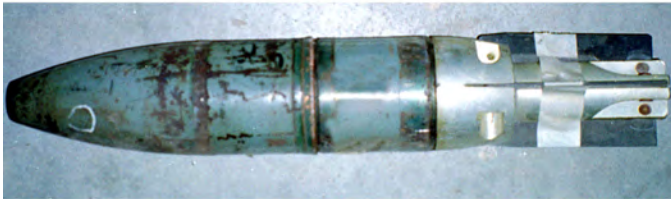


### U.S.S.R. PROJECTILE, 115-MM, APFSDS-T, BM-3

Ordnance used with:  
UBM-3, 115-MM, CARTRIDGE, HVAPDSFS-T  
BM-3, PROJECTILE, 115 MM, APFSDS-T

---

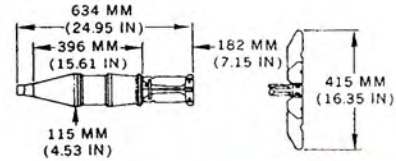
### U.S.S.R. PROJECTILE, 115-MM, FRAG-HE, OF-27



Ordnance used with:  
V-429E, PROJECTILE, PD  
3UOF37, 115-MM, CARTRIDGE, FRAG-HE  
UOF-37, 115-MM, CARTRIDGE, FRAG-HE

## U.S.S.R. PROJECTILE, 115-MM, FS, HEAT, MODEL BK-4M

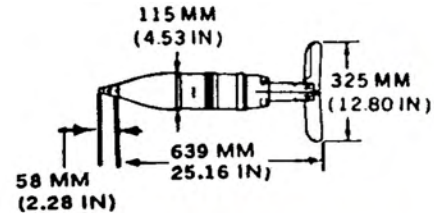
Ordnance used with:  
GPV-2, PROJECTILE, PIBD, SPITBACK  
UBK-3, 115 MM, HEAT-T, CARTRIDGE  
UBK-3M, 115-MM, CARTRIDGE, FS, HEAT



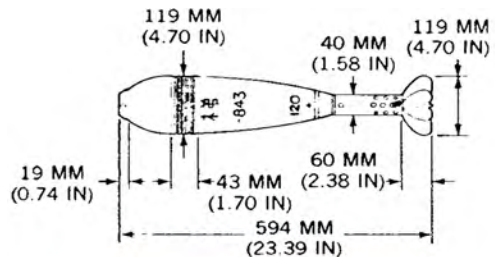
N.E.W. 1.51 KG

## U.S.S.R. PROJECTILE, 115-MM, HE, FRAG, MODEL OF-18

Ordnance used with:  
V-429, PROJECTILE, PD  
V-429E, PROJECTILE, PD  
D-1-U, PROJECTILE, TSQ  
D-1U, PROJECTILE, TSQ  
UOF-6, 115-MM, CARTRIDGE, HE, FRAG

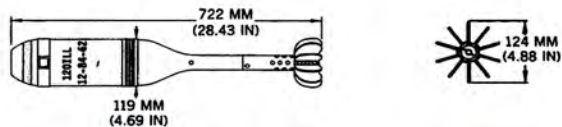


N.E.W. 2.70 KG



### CHINESE PROJECTILE, 120-MM, HE, MORTAR, TYPE 843

Ordnance used with:  
 MJ-12, PROJECTILE, PD  
 M-12  
 M12, PROJECTILE, PD  
 TYPE 12, PROJECTILE, PD



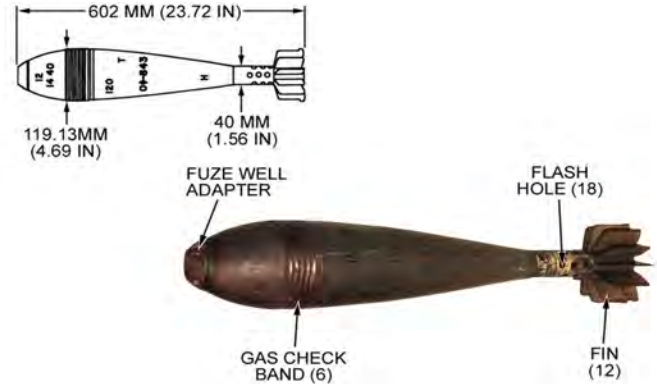
### CHINESE PROJECTILE, 120-MM, ILLUM, MORTAR, TYPE 55

Ordnance used with:  
 MS-3A, PROJECTILE, PTT

N.E.W. 3.20 KG

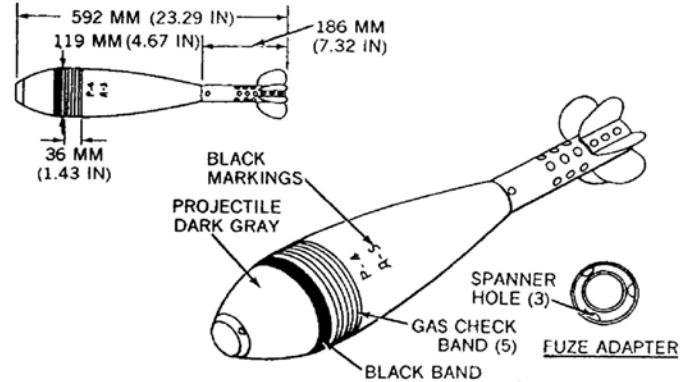
## U.S.S.R. PROJECTILE, 120-MM, HE, MORTAR, OF-843

Ordnance used with:  
GVM, FUZE, PROJECTILE, PD  
GVMZ, FUZE, PROJECTILE, PD  
GVMZ-1, FUZE, PROJECTILE, PD  
GVMZ-7, PROJECTILE, PD  
M-1, PROJECTILE, PDSQ  
TYPE 1, PROJECTILE, PD  
M-12, FUZE, PROJECTILE, PD  
N.E.W. 2.68 KG

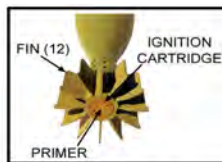
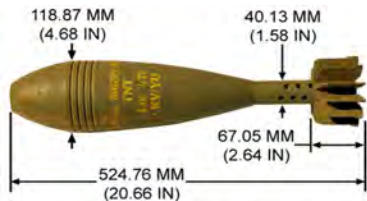


## U.S.S.R. PROJECTILE, 120-MM, MORTAR, SMOKE (WP) MODEL D-5

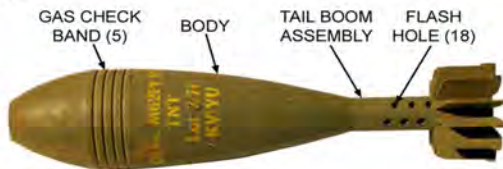
Ordnance used with:  
M-12, FUZE, PROJECTILE, PD  
M-4, PROJECTILE, PD







REAR VIEW



## YUGOSLAV PROJECTILE, 120-MM, HE, MORTAR, M62P1

Ordnance used with:  
 M62P1, CARTRIDGE, 120-MM, HE, MORTAR  
 UTU M45, PROJECTILE, PD  
 AUM-1, BOMB, NOSE  
 M-50, BOMB, NOSE  
 UTU M65, PROJECTILE, PD  
 UT M62P, PROJECTILE, PD

N.E.W. 2.52 KG



## CHINESE CARTRIDGE, 120-MM, HE, MORTAR, TYPE 55

Ordnance used with:  
 MP-71  
 MP71, PROJECTILE, PD  
 MP-8  
 MP8, PROJECTILE, PD  
 PAI-4, PROJECTILE, PD  
 TYPE PAI-4, PROJECTILE, PD  
 MP-4, PROJECTILE, PD

## CHINESE PROJECTILE, 120-MM, HE, MORTAR, TYPE 55

Ordnance used with:

MP-71

MP71, PROJECTILE, PD

MP-8

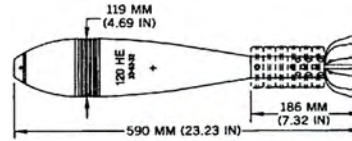
MP8, PROJECTILE, PD

PAI-4, PROJECTILE, PD

TYPE PAI-4, PROJECTILE, PD

MP-4, PROJECTILE, PD

N.E.W. 1.22 KG

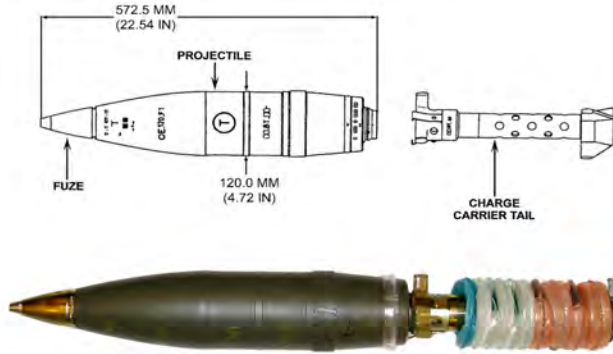


## FRENCH CARTRIDGE, 120-MM, DPICM, OGR 120 PR

Ordnance used with:

M 42, DP, SUBMUNITION





## FRENCH CARTRIDGE, 120-MM, HE, MORTAR, HE-120-PR

Ordnance used with:  
 M577, FUZE, PROJECTILE, MTSQ  
 M577A1, FUZE, PROJECTILE, MTSQ  
 M557C1, PROJECTILE, PD  
 FU RALEC 120 F4, PROJECTILE, PROX  
 HE-120-PR, 120MM, HE, MORTAR



## FRENCH CARTRIDGE, 120-MM, HE-MARKER, MORTAR, MK 44

Ordnance used with:  
 V.18.I, PROJECTILE, PD  
 V-19-P, PROJECTILE, PD  
 V19P, PROJECTILE, PD  
 V-18, PROJECTILE, PD  
 V19PA, PROJECTILE, PD

N.E.W. 2.50 KG

## FRENCH CARTRIDGE, 120-MM, HE-RA, MORTAR, PRPA

Ordnance used with:

M51A1, FUZE, PROJECTILE, PD  
M577, FUZE, PROJECTILE, MTSQ  
M577A1, FUZE, PROJECTILE, MTSQ  
M582, FUZE, PROJECTILE, MTSQ  
M582A1, FUZE, PROJECTILE, MTSQ  
F2

N.E.W. 4.87 KG

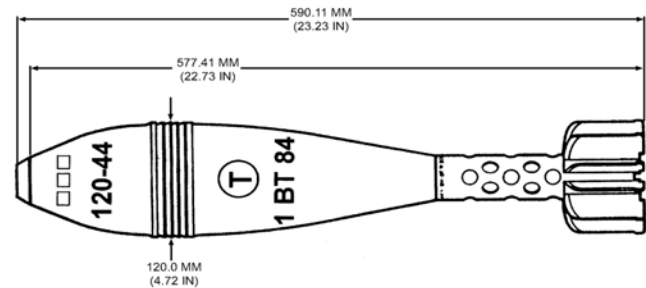
---



## FRENCH PROJECTILE, 120-MM, HE, MODEL 44

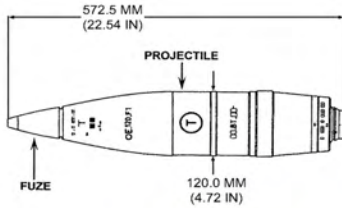
Ordnance used with:

V.18.I, PROJECTILE, PD



N.E.W. 2.68 KG

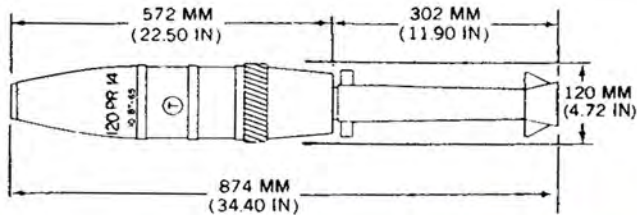
---



## FRENCH PROJECTILE, 120-MM, HE, MORTAR, HE-120-PR

Ordnance used with:  
 M577, FUZE, PROJECTILE, MTSQ  
 M577A1, FUZE, PROJECTILE, MTSQ  
 M557C1, PROJECTILE, PD  
 FU RALEC 120 F4, PROJECTILE, PROX  
 HE-120-PR, 120MM, CARTRIDGE, HE, MORTAR

N.E.W. 4.20 KG



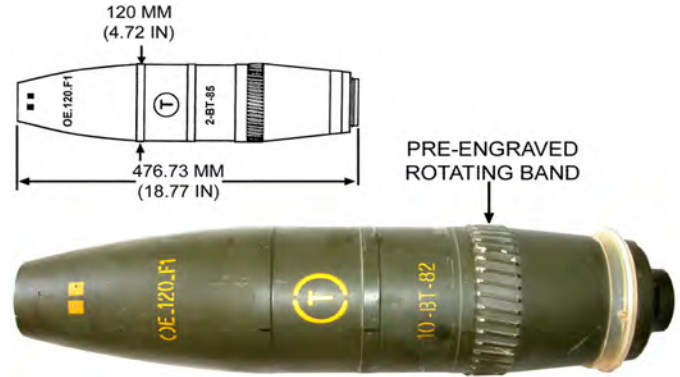
## FRENCH PROJECTILE, 120-MM, HE, MORTAR, MODEL PR 14

Ordnance used with:  
 M51, FUZE, PROJECTILE, PD  
 M51A1, FUZE, PROJECTILE,, PD  
 M51A2, FUZE, PROJECTILE, PD  
 M51A3, FUZE, PROJECTILE, PD  
 M51A4, FUZE, PROJECTILE, PD  
 M51A5, FUZE, PROJECTILE, PD  
 PF 120 PR 14, PROJECTILE, PROX

N.E.W. 4.20 KG

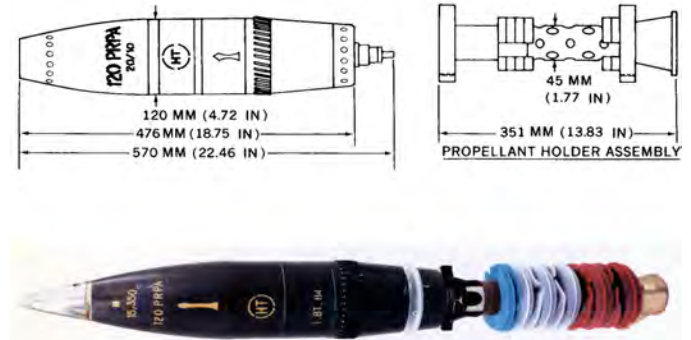
## FRENCH PROJECTILE, 120-MM, HE, MORTAR, OE.120.F1

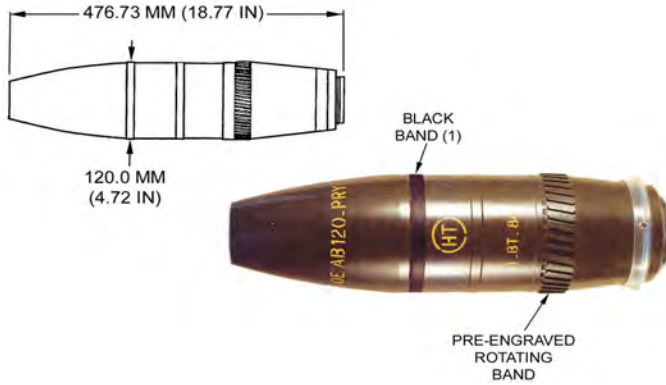
Ordnance used with:  
M557, FUZE, PROJECTILE, PD  
VG-29, PROJECTILE, PD  
OE 120 F1, 120MM, CARTRIDGE, HE, MORTAR



## FRENCH PROJECTILE, 120-MM, HE, MORTAR, P.R.P.A.

Ordnance used with:  
M51A1, FUZE, PROJECTILE., PD  
M577, FUZE, PROJECTILE, MTSQ  
M577A1, FUZE, PROJECTILE, MTSQ  
M582, FUZE, PROJECTILE, MTSQ  
M582A1, FUZE, PROJECTILE, MTSQ  
VG-29, PROJECTILE, PD

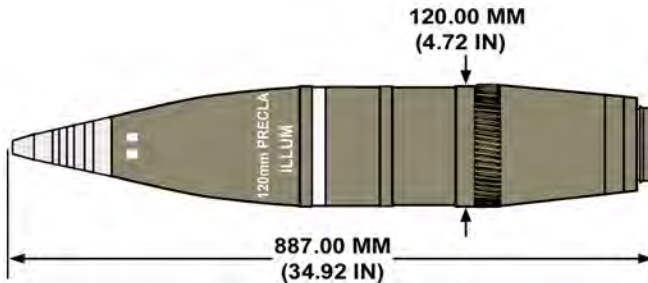




## FRENCH PROJECTILE, 120-MM, HE, MORTAR, PR AB

Ordnance used with:  
OE AB120\_PRY  
PR AB, CARTRIDGE, 120-MM, HE  
VG-29-A, PROJECTILE, PD

N.E.W. 4.45 KG

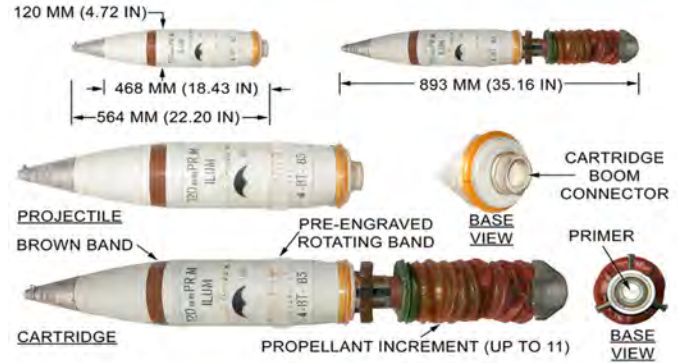


## FRENCH PROJECTILE, 120-MM, ILLUM, MORTAR, PRECLAIR

Ordnance used with:  
FR 55A, PROJECTILE, MT

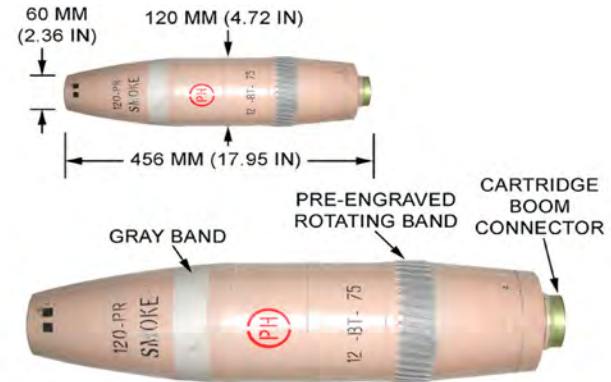
## FRENCH PROJECTILE, 120-MM, MORTAR, ILLUMINATION, PR M

Ordnance used with:  
FR55B, PROJECTILE, MT

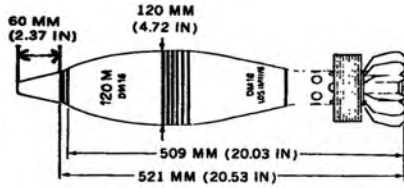


## FRENCH PROJECTILE, 120-MM, SMOKE, MORTAR, 120-PR

Ordnance used with:  
M557, FUZE, PROJECTILE, PD





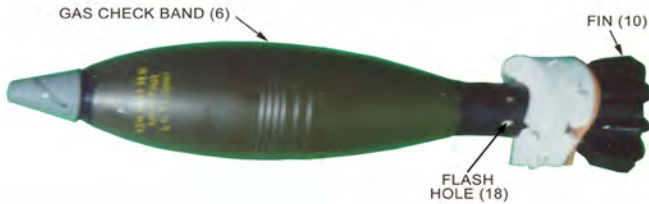


**STAMPED MARKINGS**



**GERMAN (FEDERAL REPUBLIC) PROJECTILE, 120-MM, MORTAR, HE, MODEL DM11A4; FP11A4**

Ordnance used with:  
 NVT- 24, PROJECTILE, PROXIMITY  
 DM 111, PROJECTILE, PD  
 AZ DM111A1, PROJECTILE, PD  
 DM 111A1, PROJECTILE, PD  
 AZ 111 A2  
 AZ DM 111A2, PD  
 DM 111A2, PROJECTILE, PD



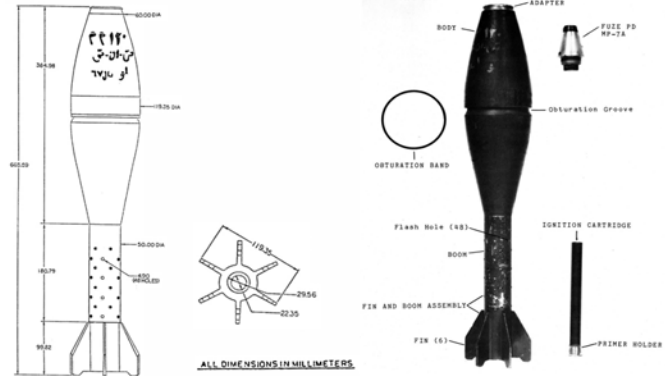
**IRANIAN CARTRIDGE, 120-MM, HE, MORTAR, MODEL UNKNOWN**

Ordnance used with:  
 AZ111 A2, PROJECTILE, PD  
 AZ111-A2  
 AZ111, PROJECTILE, PD  
 DM111, PROJECTILE, PD  
 UNKNOWN, 120MM, MORTAR, HE

## IRANIAN PROJECTILE, 120-MM, HE, MODEL UNKNOWN

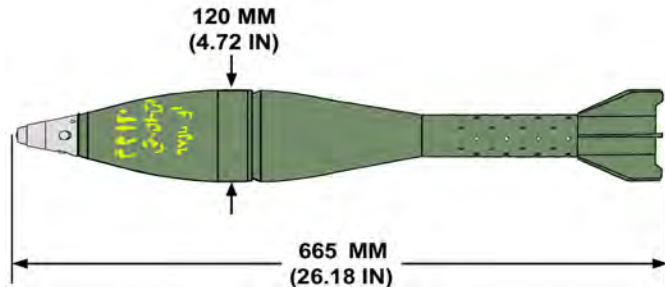
Ordnance used with:  
 B335, PROJECTILE, PD  
 PDB 335, PROJECTILE, PD  
 MP-7A  
 MP7A, PROJECTILE, PD  
 MODEL UNKNOWN, 120-MM, MORTAR, CARTRIDGE, HE

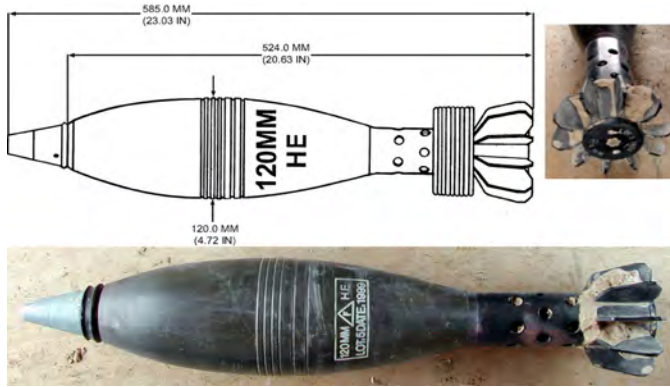
N.E.W. 2.09 KG



## IRANIAN PROJECTILE, 120-MM, HE, MORTAR, MODEL UNKNOWN

Ordnance used with:  
 UNKNOWN, 120MM, MORTAR, HE





**IRANIAN PROJECTILE, 120-MM, HE, MORTAR, MODEL UNKNOWN**

Ordnance used with:  
 AZ111 A2, PROJECTILE, PD  
 AZ111-A2  
 AZ111, PROJECTILE, PD  
 DM111, PROJECTILE, PD  
 UNKNOWN, 120MM, CARTRIDGE, HE, MORTAR

N.E.W. 2.30 KG



**ITALIAN CARTRIDGE, 120-MM, HE, MORTAR, 120L**

Ordnance used with:  
 V-19-P, PROJECTILE, PD  
 V19P, PROJECTILE, PD

## SINGAPORE PROJECTILE, 120-MM, MORTAR, HE, MODEL UNKNOWN

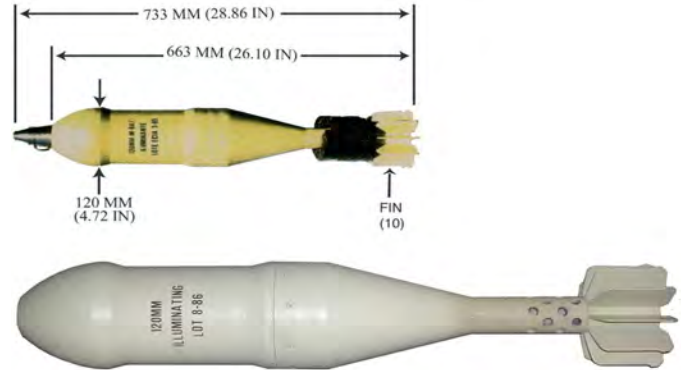
Ordnance used with:  
AZ DM111A1, PROJECTILE, PD  
DM 111A1, PROJECTILE, PD  
EF-722 (NOVA), PROJECTILE, PROXIMITY/PD

N.E.W. 2.30 KG



## SPANISH PROJECTILE, 120-MM, MORTAR, ILLUMINATION, M-847

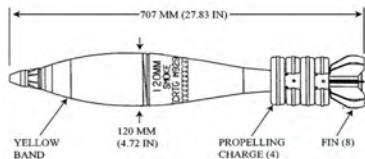
Ordnance used with:  
ECIA M-84, PROJECTILE, TIME





## SPANISH PROJECTILE, 120-MM, MORTAR, SMOKE, M-75-N

Ordnance used with:  
M-55, PROJECTILE, PD



## U.S. CARTRIDGE, 120-MM, SMOKE, WP, M929

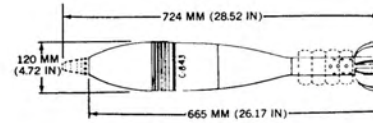
Ordnance used with:  
M564, FUZE, PROJECTILE, MTSQ  
M734A1, PROJECTILE, MULTIOPTION  
M745, PROJECTILE, PD  
XM745, PROJECTILE, PD



N.E.W. 2.20 OZ

## U.S.S.R. CARTRIDGE, 120-MM, MORTAR, ILLUM, S-843

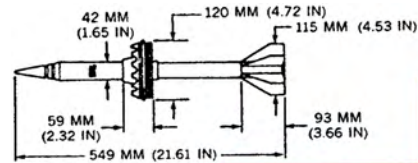
Ordnance used with:  
S-843, 120-MM, MORTAR, ILLUMINATION  
T-1, PROJECTILE, TSQ



N.E.W. 367.00 G

## U.S.S.R. PROJECTILE, 115-MM, HVAP-FS-DS-T MODEL BM-6

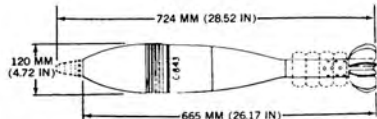
Ordnance used with:  
UBM-5, 115MM, CARTRIDGE, APFSDS-T





### U.S.S.R. PROJECTILE, 120-MM, HE, MORTAR, MODEL OF-843B

Ordnance used with:  
GVMZ-7, PROJECTILE, PD  
M-12, FUZE, PROJECTILE, PD  
V-22, FUZE, PROJECTILE, PD  
MP-4, PROJECTILE, PD  
MP4, PROJECTILE, PD  
M-12 (MODIFIED), PROJECTILE, PD

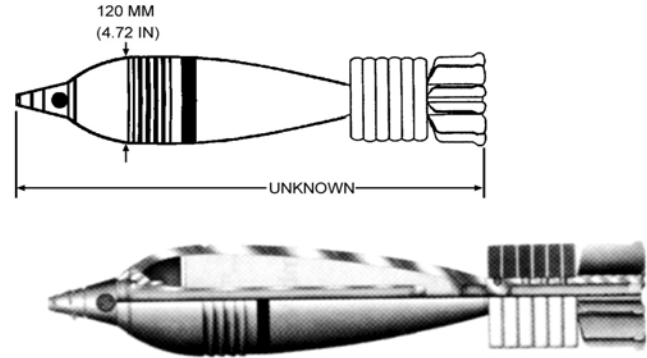


### U.S.S.R. PROJECTILE, 120-MM, MORTAR, ILLUM, MODEL S-843

Ordnance used with:  
T-1, PROJECTILE, TSQ  
S-843, 120-MM, MORTAR, CARTRIDGE, ILLUMINATION

## YUGOSLAV CARTRIDGE, 120-MM, MORTAR, SMOKE (WP), M64P1

Ordnance used with:  
M64P1, 120 MM, SMOKE WP, MORTAR  
UT M70P1, PROJECTILE, PD  
UT,M70 P1, PROJECTILE, PD



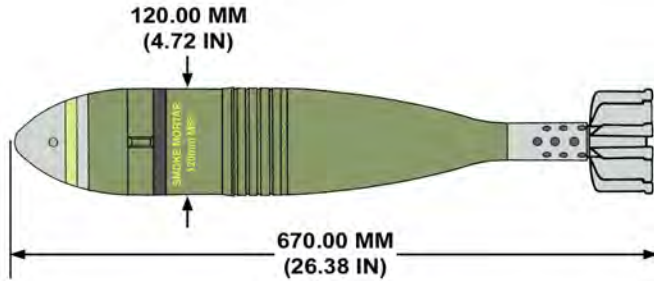
## YUGOSLAV CARTRIDGE, 120-MM, SMOKE, MORTAR, M84

Ordnance used with:  
TP M66 , PROJECTILE, PTT  
M84, PROJECTILE, PTT  
M84, 120-MM, SMOKE, MORTAR

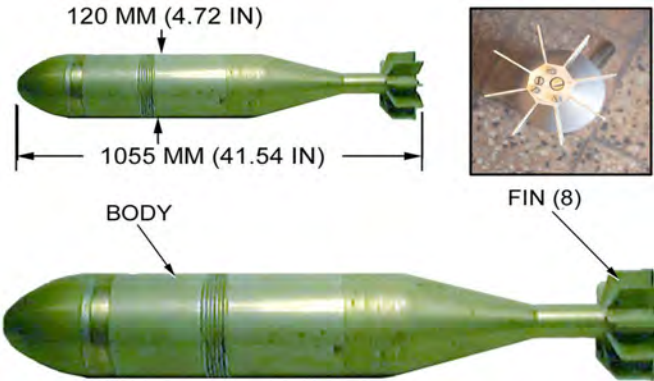




## YUGOSLAV MORTAR, 120-MM, SMOKE, HC, M88



Ordnance used with:  
M84, PROJECTILE, PTT

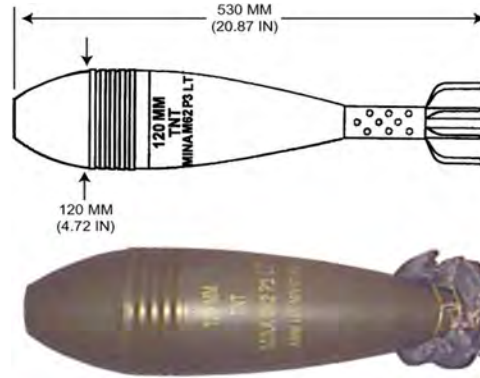


## YUGOSLAV PROJECTILE, 120-MM, DUMMY PARACHUTIST, MODEL UNKNOWN

## YUGOSLAV PROJECTILE, 120-MM, HE, MORTAR, M62P3

Ordnance used with:  
AU-29, PROJECTILE, PD  
UTU M78, PROJECTILE, PD  
UT M68 P1, PROJECTILE, PD  
UT M68P1, PROJECTILE, PD  
UT.M68 P1, PROJECTILE, PD  
MU K92, PROJECTILE, PD  
UT M93, PROJECTILE, PD

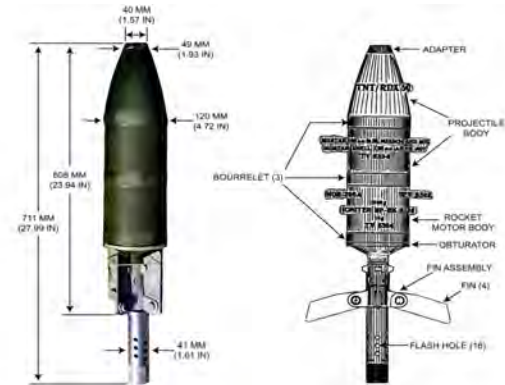
N.E.W. 2.30 KG

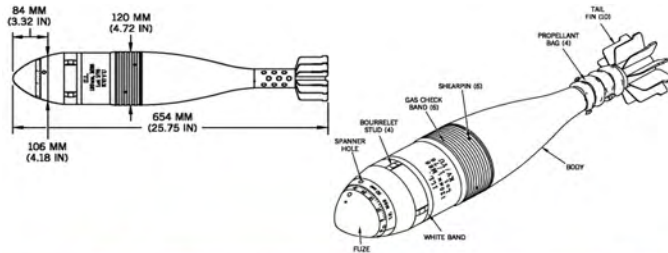


## YUGOSLAV PROJECTILE, 120-MM, HERA, FRAG, M77

Ordnance used with:  
AU-29, PROJECTILE, PD  
UTU M78, PROJECTILE, PD  
M77, 120-MM, CARTRIDGE, MORTAR, HERA, FRAG

N.E.W. 2.90 KG



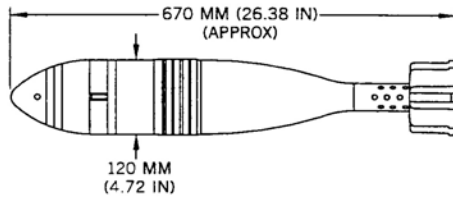


## YUGOSLAV PROJECTILE, 120-MM, MORTAR, ILLUMINATION, M66

Ordnance used with:  
 M66, 120-MM, CARTRIDGE, ILLUMINATION, MORTAR  
 TP M66 , PROJECTILE, PTT  
 M66, 120-MM, ILLUM, MORTAR

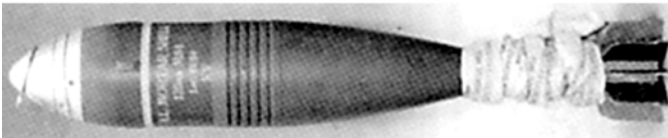


N.E.W. 16.00 G



## YUGOSLAV PROJECTILE, 120-MM, MORTAR, ILLUMINATION, M84

Ordnance used with:  
 M84, PROJECTILE, PTT



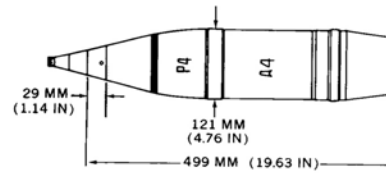
## YUGOSLAV PROJECTILE, 120-MM, MORTAR, SMOKE (WP), M64P1

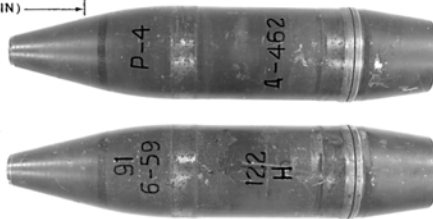
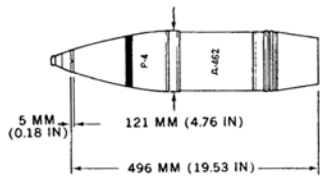
Ordnance used with:  
UT M70P1, PROJECTILE, PD  
UT,M70 P1, PROJECTILE, PD  
M64P1, CARTRIDGE, 120 MM, SMOKE, WP, MORTAR  
UT M62P, PROJECTILE, PD



## U.S.S.R. PROJECTILE, 122-MM, SMOKE, WP, MODEL D-4

Ordnance used with:  
RGM-2, PROJECTILE, PD  
RGM-3, PROJECTILE, PD  
ZH10, 122MM, PROPELLING CHARGE, REDUCED  
ZH-9, 122 MM, PROPELLING CHARGE  
ZH-9, 122MM, PROPELLING CHARGE, FULL





## U.S.S.R. PROJECTILE, 122-MM, SMOKE, WP, MODEL D-462

Ordnance used with:  
 KT-1, FUZE, PROJECTILE, PD  
 KT-2, FUZE, PROJECTILE, PD  
 KT-3, FUZE, PROJECTILE, PD  
 KTM-1, PROJECTILE, PD  
 KTM-1U, PROJECTILE, PD  
 KTM-1Y, PROJECTILE, PD  
 KTM-2, PROJECTILE, PD

N.E.W. 158.00 G

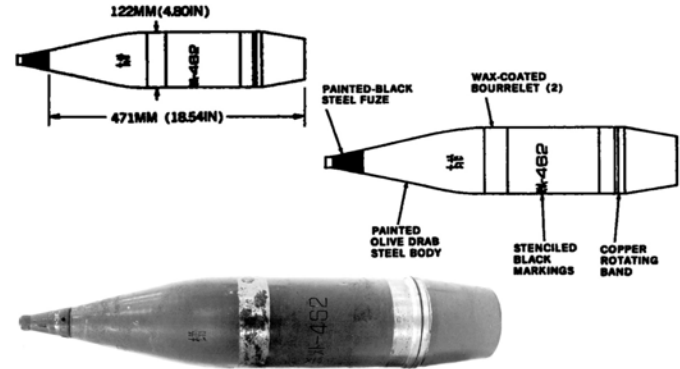


## BULGARIAN PROJECTILE, HE, FE-462

Ordnance used with:  
 RGM-2, PROJECTILE, PD

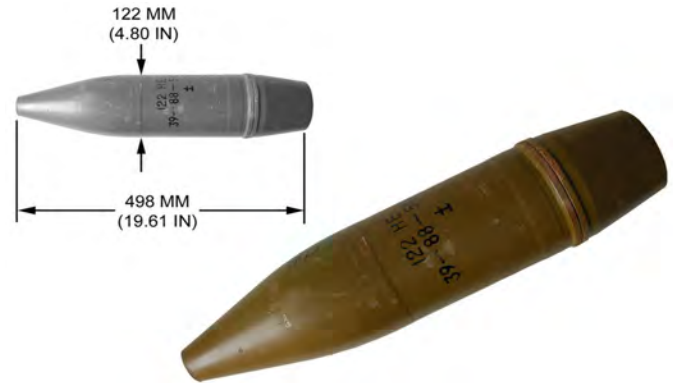
## CHINESE PROJECTILE, 122-MM, FRAG-HE, TYPE 462

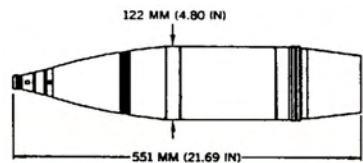
Ordnance used with:  
TYPE 3, PIBD  
TYPE 3, PIBD, SELF-DESTRUCT (SD)



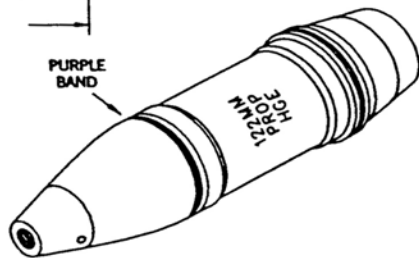
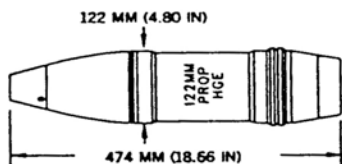
## CHINESE PROJECTILE, 122-MM, HE, TYPE 54

Ordnance used with:  
DRL08, PROJECTILE, PDSQ  
MD-82  
MD82, PROJECTILE, PROXIMITY  
ML-4  
ML4, PROJECTILE, PD  
ML-5  
ML5, PROJECTILE, PD  
N.E.W. 4.30 KG





**CHINESE PROJECTILE, 122-MM, SMOKE, TYPE 54**



**IRAQI PROJECTILE, 122 MM, PROPAGANDA, MODEL UNKNOWN**

Ordnance used with:  
T-90, PROJECTILE, MT  
B-90, PROJECTILE, MTSQ  
V-90, PROJECTILE, MTSQ

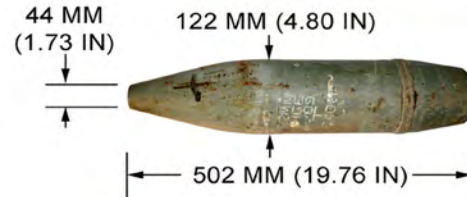
## IRAQI PROJECTILE, 122-MM, HE, HGC

Ordnance used with:  
HGC, 122MM, PROPELLING CHARGE, REDUCED  
HGC, 122MM, PROPELLING CHARGE, FULL

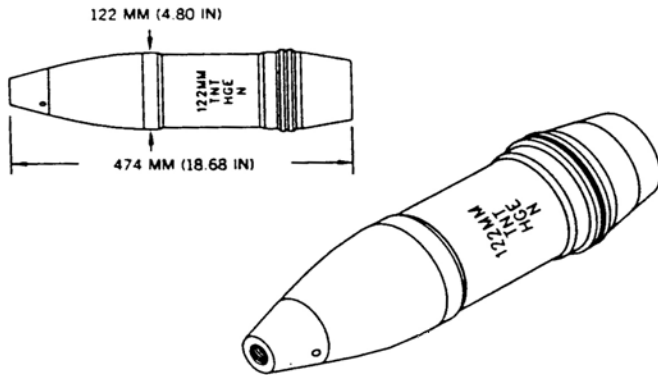


## IRAQI PROJECTILE, 122-MM, HE, HGE

Ordnance used with:  
ZH-9, 122 MM, PROPELLING CHARGE  
ZH-9, 122MM, PROPELLING CHARGE, FULL  
HGC, 122MM, PROPELLING CHARGE, REDUCED  
HGC, 122MM, PROPELLING CHARGE, FULL

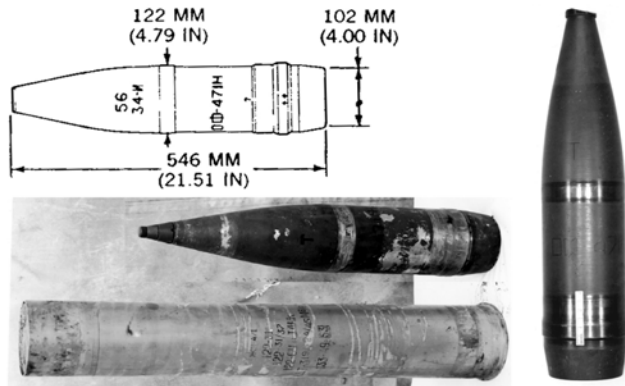






## IRAQI PROJECTILE, 122-MM, HE, MODEL UNKNOWN

N.E.W. 3.00 KG

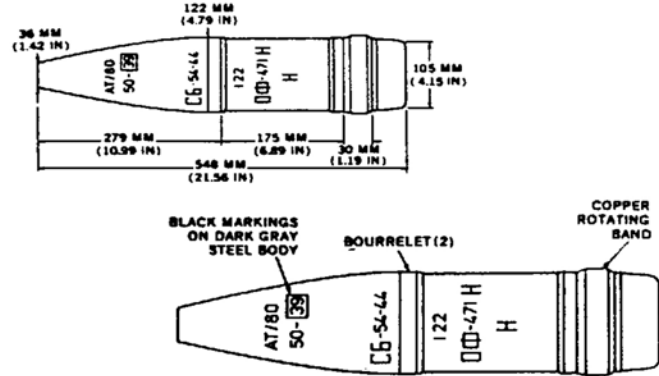


## U.S.S.R. PROJECTILE, 122-MM, FRAG, HE, MODEL OF-471N

Ordnance used with:  
 D-1, PROJECTILE, TSQ  
 RGM, PROJECTILE, PD  
 RGM-2, PROJECTILE, PD  
 RGM-3, PROJECTILE, PD  
 RGM-6, PROJECTILE, PD  
 AR 7 (SIGNAL), PROJECTILE, PROXIMITY/PD  
 V-429, PROJECTILE, PD

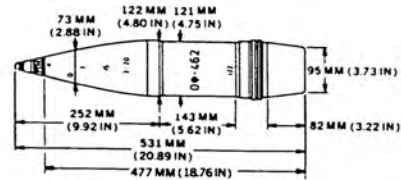
## U.S.S.R. PROJECTILE, 122-MM, FRAG, HE, MODEL OF-471N (VARIANT)

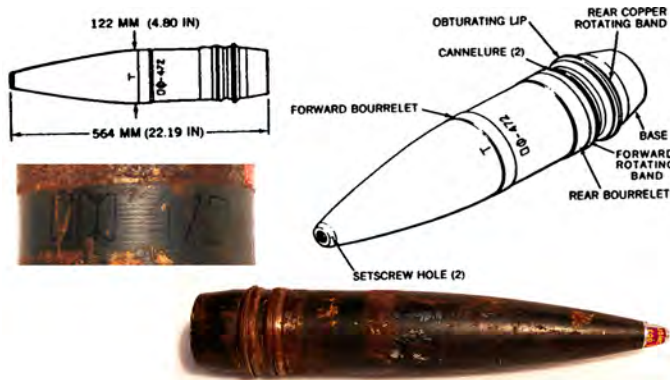
Ordnance used with:  
 D-1, PROJECTILE, TSQ  
 RGM, PROJECTILE, PD  
 RGM-2, PROJECTILE, PD  
 RGM-3, PROJECTILE, PD  
 RGM-6, PROJECTILE, PD  
 AR 7 (SIGNAL), PROJECTILE, PROXIMITY/PD



## U.S.S.R. PROJECTILE, 122-MM, HE, FRAG, MODEL OF-462

Ordnance used with:  
 D-1, PROJECTILE, TSQ  
 GVM, FUZE, PROJECTILE, PD  
 GVMZ, FUZE, PROJECTILE, PD  
 GVMZ-1, FUZE, PROJECTILE, PD  
 RG-6, PROJECTILE, PD  
 RGM, PROJECTILE, PD  
 RGM-2, PROJECTILE, PD

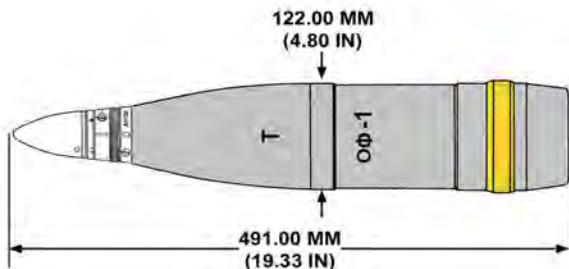




## U.S.S.R. PROJECTILE, 122-MM, HE, FRAG, MODEL OF-472

Ordnance used with:  
 D-1, PROJECTILE, TSQ  
 RGM-2, PROJECTILE, PD  
 RGM-6, PROJECTILE, PD  
 AR 7 (SIGNAL), PROJECTILE, PROXIMITY/PD  
 V-429, PROJECTILE, PD  
 V-429E, PROJECTILE, PD  
 VOF-471, CARTRIDGE, 122MM, HE

N.E.W. 3.00 KG



## U.S.S.R. PROJECTILE, 122-MM, HE, OF-1

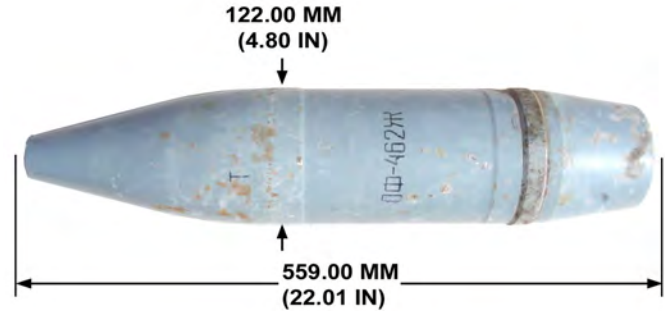
Ordnance used with:  
 AR 30, PROJECTILE, PROXIMITY  
 AR-30, PROJECTILE, PROXIMITY

N.E.W. 2.77 KG

## U.S.S.R. PROJECTILE, 122-MM, HE, OF-462ZH

Ordnance used with:  
RGM, PROJECTILE, PD  
RGM-2, PROJECTILE, PD  
RGM-3, PROJECTILE, PD

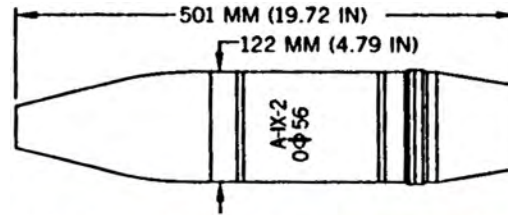
N.E.W. 3.46 KG

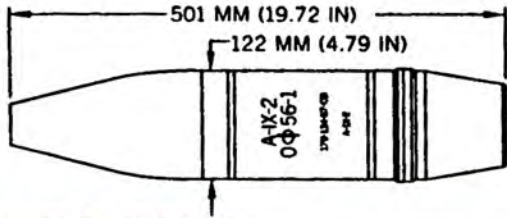


## U.S.S.R. PROJECTILE, 122-MM, HE, OF-56

Ordnance used with:  
PF 122, PROJECTILE, PROXIMITY/PD  
PF-122, PROJECTILE, PROXIMITY/PD  
PF122, PROJECTILE, PROXIMITY/PD  
D-1, PROJECTILE, TSQ  
RGM-2, PROJECTILE, PD  
RGM-2M, PROJECTILE, PD  
RGM-3, PROJECTILE, PD

N.E.W. 4.40 KG





## U.S.S.R. PROJECTILE, 122-MM, HE, OF-56-1

Ordnance used with:

PF 122, PROJECTILE, PROXIMITY/PD  
 PF-122, PROJECTILE, PROXIMITY/PD  
 PF122, PROJECTILE, PROXIMITY/PD  
 D-1, PROJECTILE, TSQ  
 RGM-2, PROJECTILE, PD  
 RGM-2M, PROJECTILE, PD  
 RGM-3, PROJECTILE, PD

N.E.W. 4.40 KG



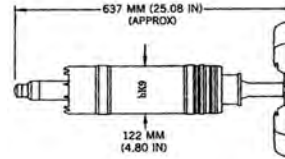
## U.S.S.R. PROJECTILE, 122-MM, HE-FRAG, OF-462 (WITHOUT ADAPTER)

Ordnance used with:

PF 122, PROJECTILE, PROXIMITY/PD  
 PF-122, PROJECTILE, PROXIMITY/PD  
 PF122, PROJECTILE, PROXIMITY/PD  
 ZH-9, 122 MM, PROPELLING CHARGE  
 ZH-9, 122MM, PROPELLING CHARGE, FULL

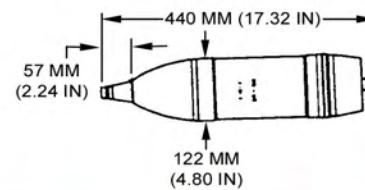
N.E.W. 3.46 KG

## U.S.S.R. PROJECTILE, 122-MM, HEAT, BK-9



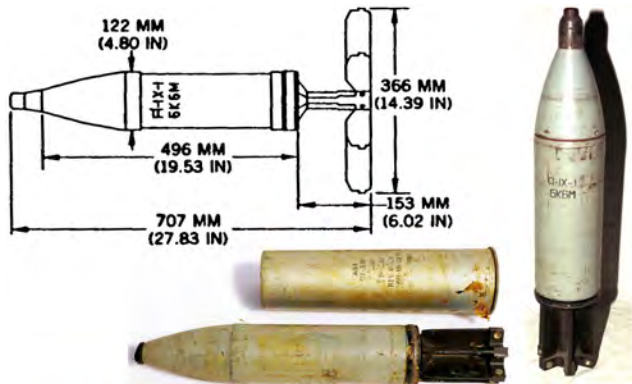
N.E.W. 1.96 KG

## U.S.S.R. PROJECTILE, 122-MM, HEAT, SPIN-STABILIZED, MODEL BP-463



Ordnance used with:  
GKV, PROJECTILE, PIBD  
MP, PROJECTILE, PD  
MP-82, PROJECTILE, PD

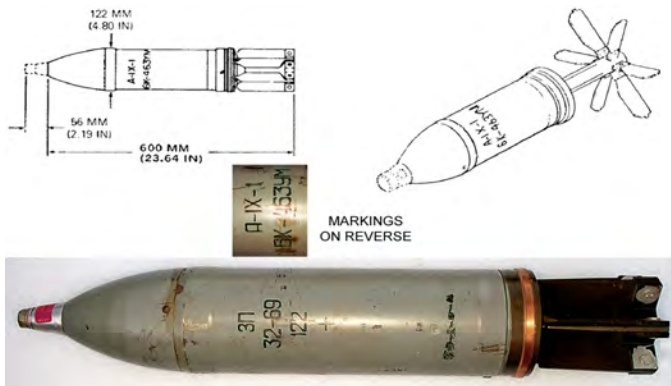
N.E.W. 2.18 KG



## U.S.S.R. PROJECTILE, 122-MM, HEAT-FS, BK-6M

Ordnance used with:  
 GPV-2, PROJECTILE, PIBD, SPITBACK  
 ZH-9, 122 MM, PROPELLING CHARGE  
 ZH-9, 122MM, PROPELLING CHARGE, FULL

N.E.W. 2.30 KG



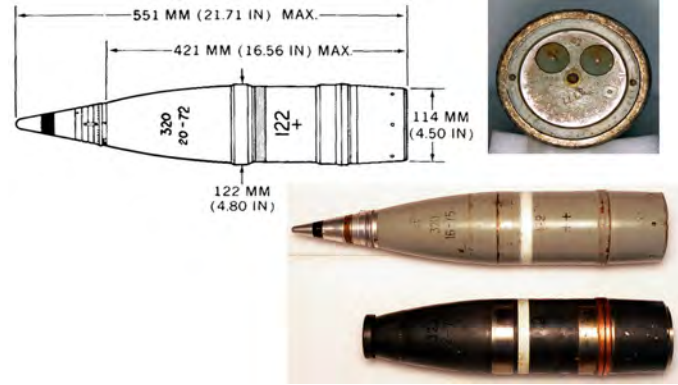
## U.S.S.R. PROJECTILE, 122-MM, HEAT-FS, MODEL BK463UM

Ordnance used with:  
 GPV-2, PROJECTILE, PIBD, SPITBACK

N.E.W. 2.12 KG

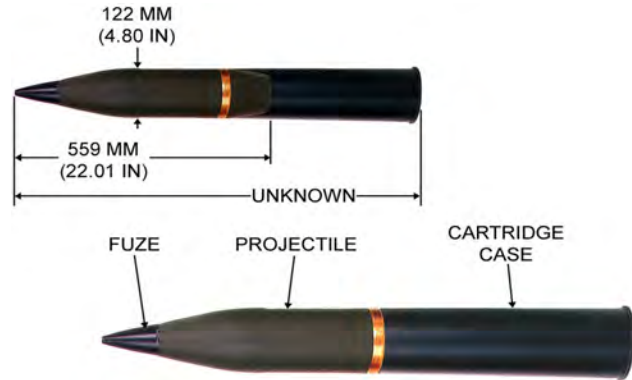
## U.S.S.R. PROJECTILE, 122-MM, ILLUM, S-463 & S-463ZH

Ordnance used with:  
T-6, FUZE, PROJECTILE, TSQ  
T-7, FUZE, PROJECTILE, TIME OR TSQ  
T-90, PROJECTILE, MT  
ZH-9, 122 MM, PROPELLING CHARGE  
ZH-9, 122MM, PROPELLING CHARGE, FULL



## YUGOSLAV CARTRIDGE, 122-MM, HE, 462

Ordnance used with:  
M557, FUZE, PROJECTILE, PD  
M572, FUZE, PROJECTILE, PD  
RGM-2, PROJECTILE, PD  
RGM-3, PROJECTILE, PD  
AU-18P1, PROJECTILE, PD  
UTIU M72, PROJECTILE, PD  
AU-10, PROJECTILE, PF

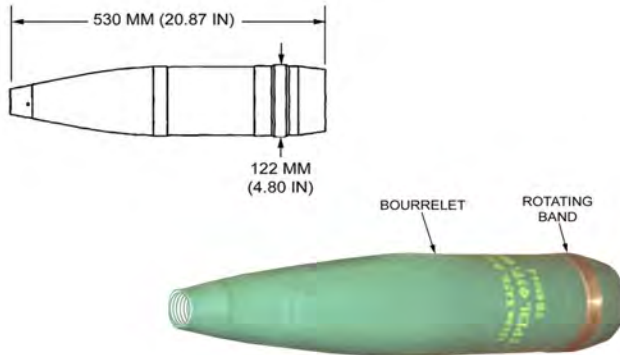






## YUGOSLAV PROJECTILE, 122-MM, HE, 462

Ordnance used with:  
 M557, FUZE, PROJECTILE, PD  
 M572, FUZE, PROJECTILE, PD  
 RGM-2, PROJECTILE, PD  
 AU-18P1, PROJECTILE, PD  
 UTIU M72, PROJECTILE, PD  
 AU-10, PROJECTILE, PF  
 UTU M557, PROJECTILE, PD

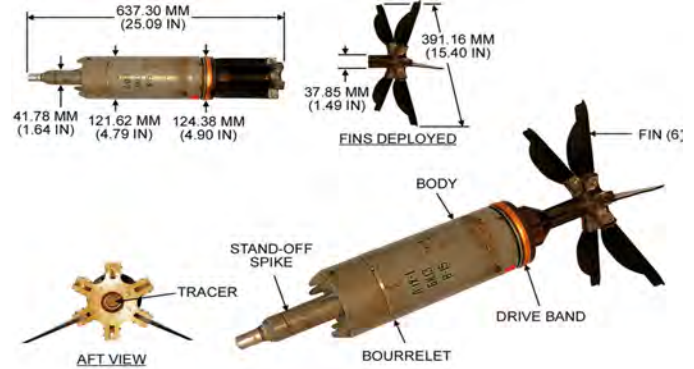


## YUGOSLAV PROJECTILE, 122-MM, HE, M76

Ordnance used with:  
 RGM-2, PROJECTILE, PD  
 RGM-3, PROJECTILE, PD  
 V-429, PROJECTILE, PD  
 V-429E, PROJECTILE, PD  
 MODEL UNKNOWN, CARTRIDGE, 122-MM, HE, (WITH M76)

## U.S.S.R. PROJECTILE, 122-MM, HEAT-FS, MODEL BK 13

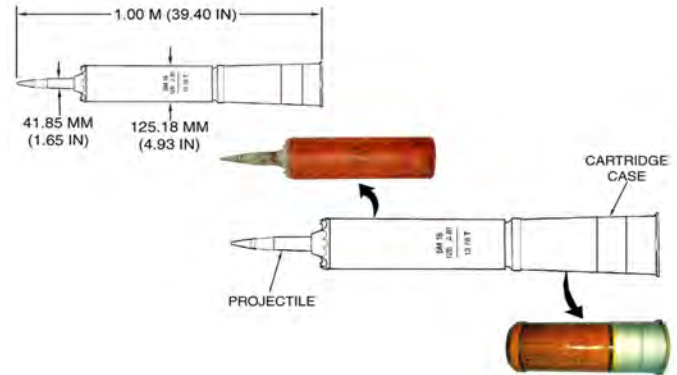
Ordnance used with:  
V-15, FUZE, PROJECTILE, PIBD  
3UBK-9, 122-MM, CARTRIDGE, HEAT-FS-T  
VBK9



N.E.W. 1.81 KG

## U.S.S.R. CARTRIDGE, 125-MM, APFSDS-T, VBM-7

Ordnance used with:  
BM-15, 125-MM, APFSDS-T  
ZH-40, 125MM, PROPELLING CHARGE  
ZH-52, 125MM, PROPELLING CHARGE

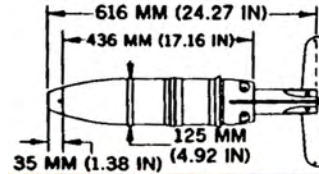




## U.S.S.R. PROJECTILE, 125-MM, HE-FRAG, OF-26

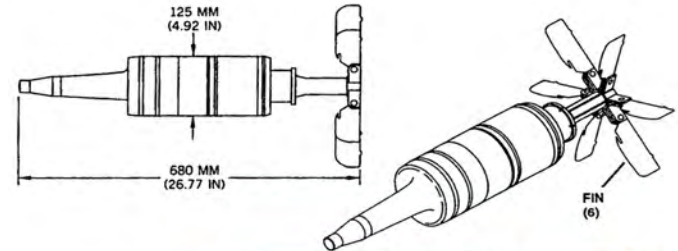
Ordnance used with:  
V-429E, PROJECTILE, PD  
3VOF36, CARTRIDGE, 125MM, HE  
VOF-36  
ZH-52, 125MM, PROPELLING CHARGE

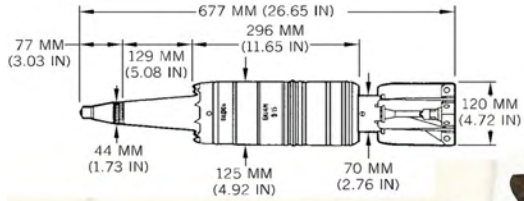
N.E.W. 3.30 KG



## U.S.S.R. PROJECTILE, 125-MM, HEAT, 3BK29

Ordnance used with:  
VU-729, PROJECTILE, PIBD  
VBK-25, CARTRIDGE, 125MM, HEAT

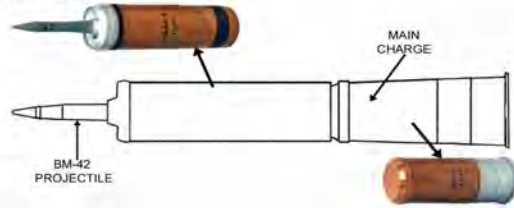
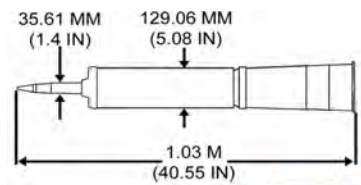




**U.S.S.R. PROJECTILE, 125-MM, HEAT-T, BK-14M**

Ordnance used with:  
 V-15, FUZE, PROJECTILE, PIBD  
 VBK-10, 125MM, CARTRIDGE, HEAT  
 ZH-40, 125MM, PROPELLING CHARGE  
 ZH-52, 125MM, PROPELLING CHARGE

N.E.W. 1.85 KG



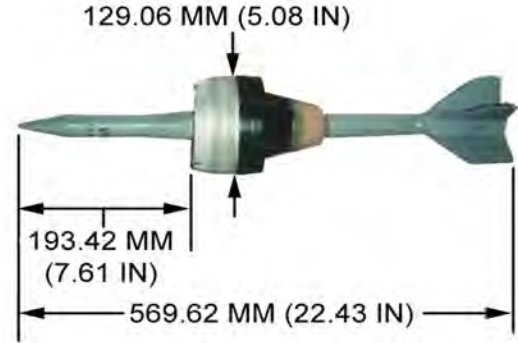
**U.S.S.R. CARTRIDGE, 125-MM, APFSDS-T, VBM-17**

Ordnance used with:  
 BM-42, 125-MM, APFSDS-T  
 4ZH-63, 125MM, PROPELLING CHARGE  
 VBM-17M, CARTRIDGE, 125-MM, APFSDS  
 ZH-63, 125MM, PROPELLING CHARGE

## U.S.S.R. PROJECTILE, 125-MM, APFSDS-T, BM-42

Ordnance used with:

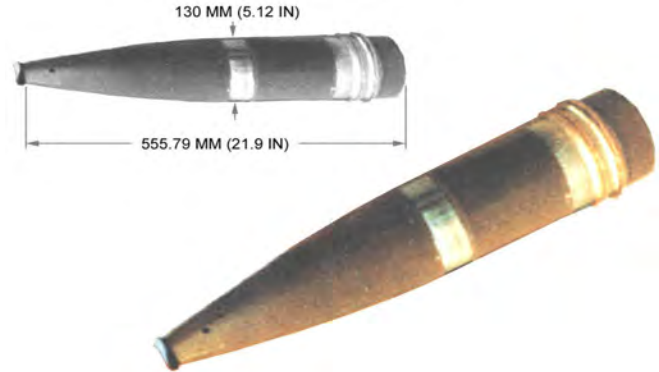
BM44, 125MM, APFSDS-T, PROPELLING CHARGE, AUXILIARY  
VBM-17, CARTRIDGE, 125-MM, APFSDS  
ZBM44, 125MM, APFSDS-T, PROPELLING CHARGE, AUXILIARY  
4ZH-63, 125MM, PROPELLING CHARGE  
VBM-17M, CARTRIDGE, 125-MM, APFSDS  
ZH-63, 125MM, PROPELLING CHARGE

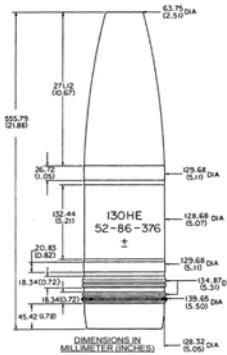


## CHINESE PROJECTILE, 130-MM, HE, AND HEI, TYPE 59

Ordnance used with:

TYPE 59, 130MM, PROPELLING CHARGE, REDUCED VARIABLE  
ZH 482U, 130MM, PROPELLING CHARGE, REDUCED  
MD-11  
MD11, PROJECTILE, PROXIMITY/PD  
MD-81  
MD81, PROJECTILE, PROXIMITY  
MD-11A, PROJECTILE, PROXIMITY/PD  
N.E.W. 3.64 KG



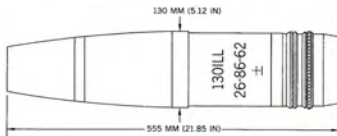


## CHINESE PROJECTILE, 130-MM, HE, TYPE 59 MODIFIED

Ordnance used with:

TYPE 59, 130MM, PROPELLING CHARGE, REDUCED VARIABLE  
 ZH 482U, 130MM, PROPELLING CHARGE, REDUCED  
 MD-11  
 MD11, PROJECTILE, PROXIMITY/PD  
 MD-81  
 MD81, PROJECTILE, PROXIMITY  
 MD-11A, PROJECTILE, PROXIMITY/PD

N.E.W. 1.85 KG



## CHINESE PROJECTILE, 130-MM, ILLUMINATION, TYPE 59

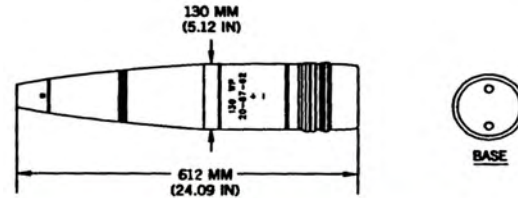
Ordnance used with:

TYPE 59, 130MM, PROPELLING CHARGE, REDUCED VARIABLE  
 ZH 482U, 130MM, PROPELLING CHARGE, REDUCED  
 MS-1  
 MS1, PROJECTILE, MT  
 M-1954, 130MM, FIELD GUN  
 M46, 130MM, FIELD GUN  
 TYPE 59, 130MM, FIELD GUN

N.E.W. 2.95 KG

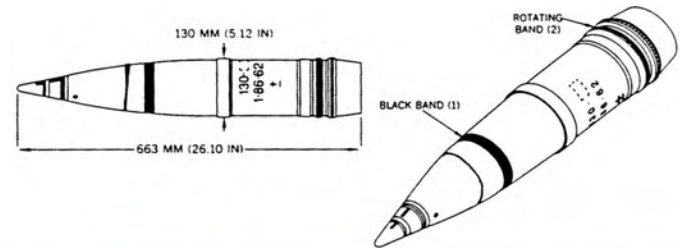
## CHINESE PROJECTILE, 130-MM, SMOKE, TYPE 59

Ordnance used with:  
TYPE 59, 130MM, PROPELLING CHARGE, REDUCED VARIABLE  
ZH 482U, 130MM, PROPELLING CHARGE, REDUCED  
ML-5  
ML5, PROJECTILE, PD  
M-1954, 130MM, FIELD GUN  
M46, 130MM, FIELD GUN  
TYPE 59, 130MM, FIELD GUN



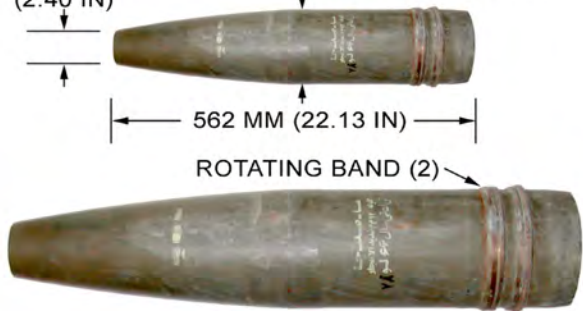
## CHINESE PROJECTILE, 130-MM, SMOKE, TYPE 59-1

Ordnance used with:  
TYPE 59, 130MM, PROPELLING CHARGE, REDUCED VARIABLE  
ZH 482U, 130MM, PROPELLING CHARGE, REDUCED  
M-1954, 130MM, FIELD GUN  
M46, 130MM, FIELD GUN  
TYPE 59, 130MM, FIELD GUN  
TYPE 59-1, 130MM, FIELD GUN  
SHF-1, PROJECTILE, MT



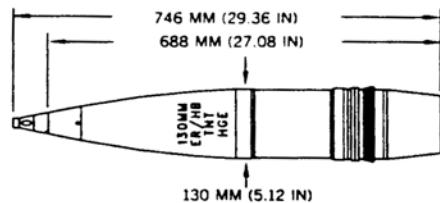


61 MM  
(2.40 IN)



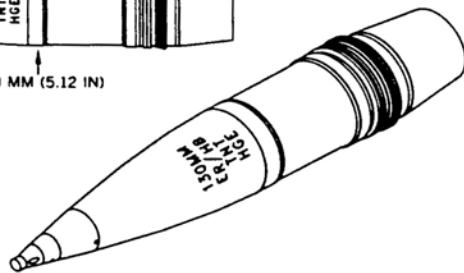
### IRANIAN PROJECTILE, 130-MM, HE, MODEL UNKNOWN

Ordnance used with:  
M572, PROJECTILE, PD



### IRAQI PROJECTILE, 130-MM, HE, (ER/HB), MODEL UNKNOWN

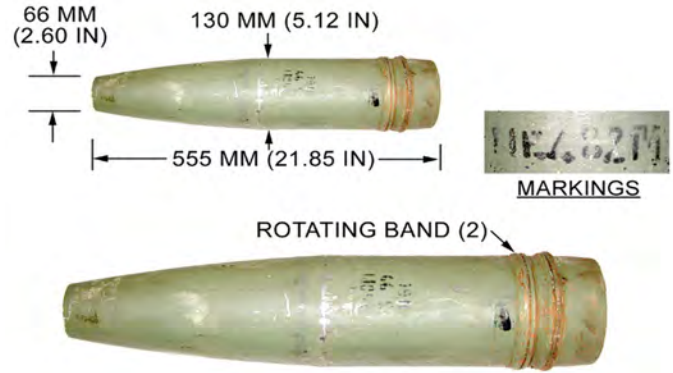
Ordnance used with:  
V-429, PROJECTILE, PD  
V-429E, PROJECTILE, PD  
B-90, PROJECTILE, MTSQ  
V-90, PROJECTILE, MTSQ



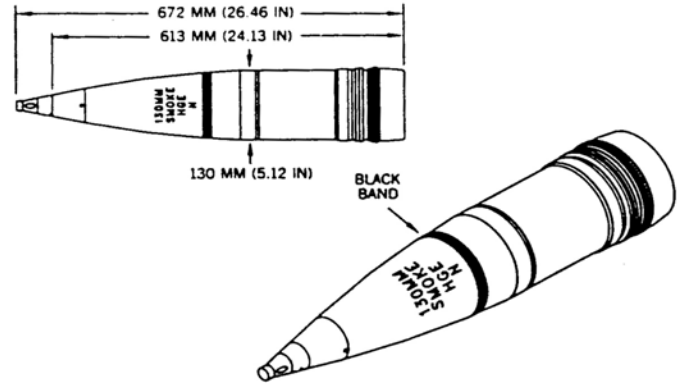
N.E.W. 3.60 KG

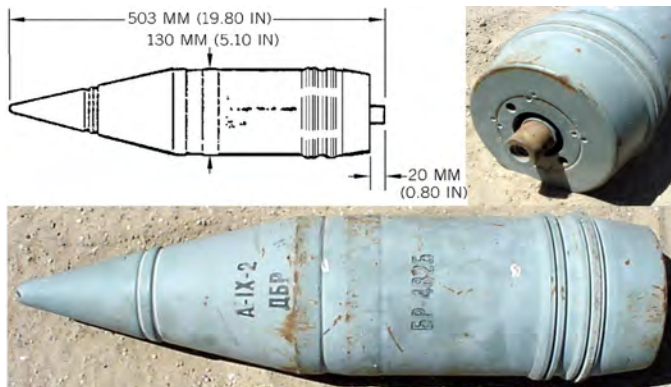
## IRAQI PROJECTILE, 130-MM, HE, HE482M

Ordnance used with:  
HGC, 130-MM, PROPELLING CHARGE, REDUCED



## IRAQI PROJECTILE, 130-MM, SMOKE, (WP), MODEL UNKNOWN

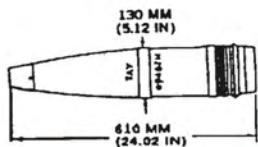




## U.S.S.R. PROJECTILE, 130-MM, APHE-T, BR-482B

Ordnance used with:  
 DBR, PROJECTILE, BD  
 DBR-2, PROJECTILE, BD  
 M-1954, 130MM, FIELD GUN  
 M46, 130MM, FIELD GUN  
 TYPE 59, 130MM, FIELD GUN  
 TYPE 59-1, 130MM, FIELD GUN  
 M46, 130-MM, CARTRIDGE

N.E.W. 130.00 G



## U.S.S.R. PROJECTILE, 130-MM, FRAG, HE, MODEL OF-482M

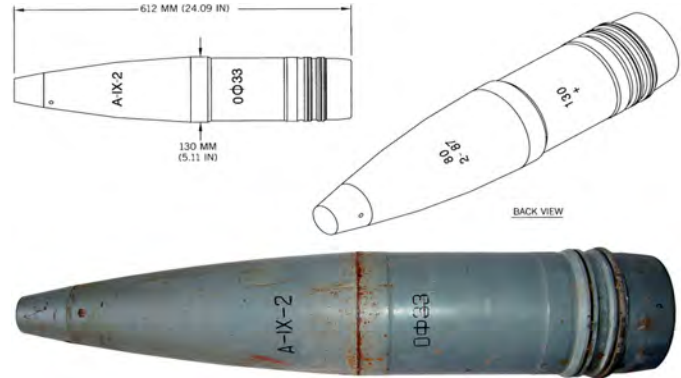
Ordnance used with:  
 TYPE 59, 130MM, PROPELLING CHARGE, REDUCED VARIABLE  
 ZH 482U, 130MM, PROPELLING CHARGE, REDUCED  
 RGM-2, PROJECTILE, PD  
 RGM-3, PROJECTILE, PD  
 RGM-6, PROJECTILE, PD  
 AR 7 (SIGNAL), PROJECTILE, PROXIMITY/PD  
 V-429, PROJECTILE, PD



## U.S.S.R. PROJECTILE, 130-MM, HE, OF33

Ordnance used with:  
V-429, PROJECTILE, PD  
V-429E, PROJECTILE, PD  
B-90, PROJECTILE, MTSQ  
V-90, PROJECTILE, MTSQ  
AR 5, PROJECTILE, PROXIMITY  
AR-5, PROJECTILE, PROXIMITY

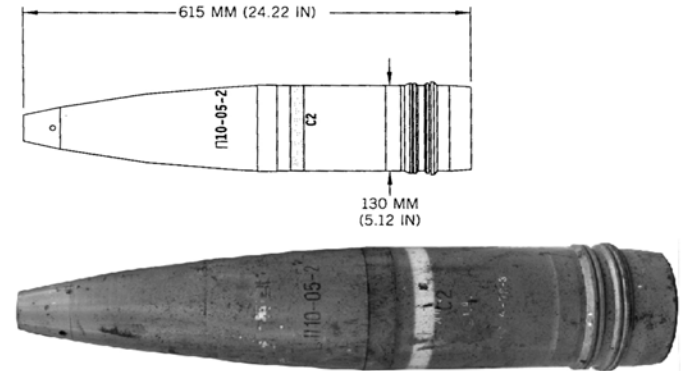
N.E.W. 4.30 KG

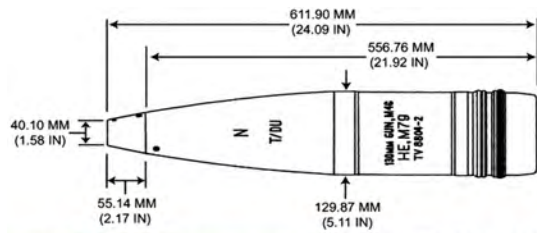


## U.S.S.R. PROJECTILE, 130-MM, ILLUMINATION, S2

Ordnance used with:  
T-90, PROJECTILE, MT  
B-90, PROJECTILE, MTSQ  
V-90, PROJECTILE, MTSQ

N.E.W. 107.00 G

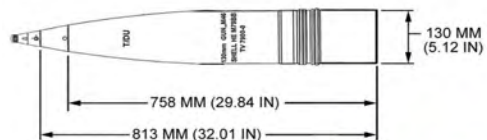




## YUGOSLAV PROJECTILE, 130-MM, HE, M79

Ordnance used with:  
 AU-18P1, PROJECTILE, PD  
 UTIU M72, PROJECTILE, PD  
 UTIU M85, PROJECTILE, PD  
 M-1954, 130MM, FIELD GUN  
 M46, 130MM, FIELD GUN  
 TYPE 59, 130MM, FIELD GUN  
 TYPE 59-1, 130MM, FIELD GUN

N.E.W. 3.66 KG

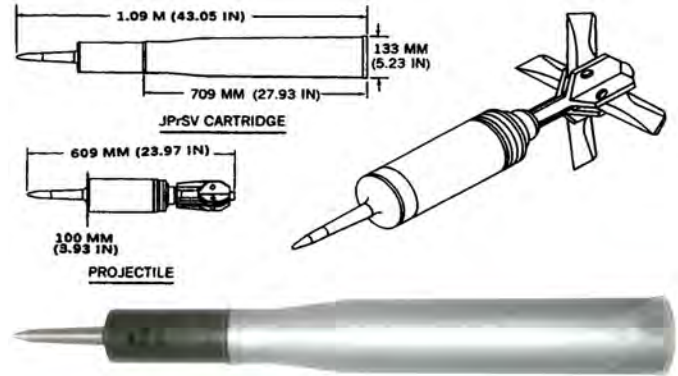


## YUGOSLAV PROJECTILE, 130-MM, HE-BB, M79BB

Ordnance used with:  
 RGM-2M, PROJECTILE, PD

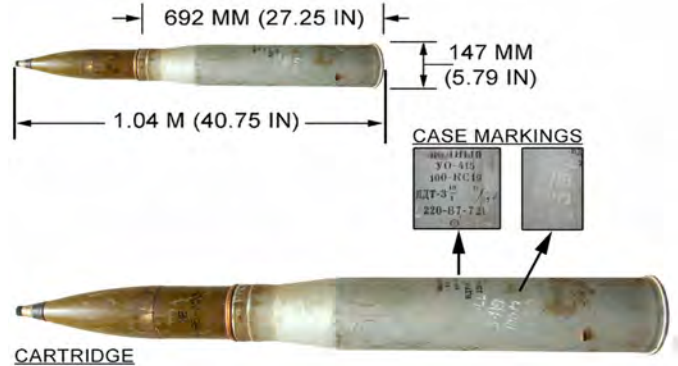
## CZECHOSLOVAKIAN CARTRIDGE, 100-MM, HEAT, JPrSV

Ordnance used with:  
PRSV, 100-MM, HEAT  
NZ-42, PROJECTILE, PIBD

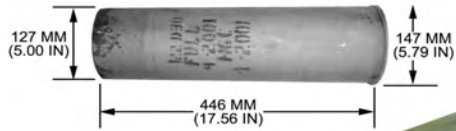


## IRAQI CARTRIDGE, 100-MM, HE-FRAG, UO-415

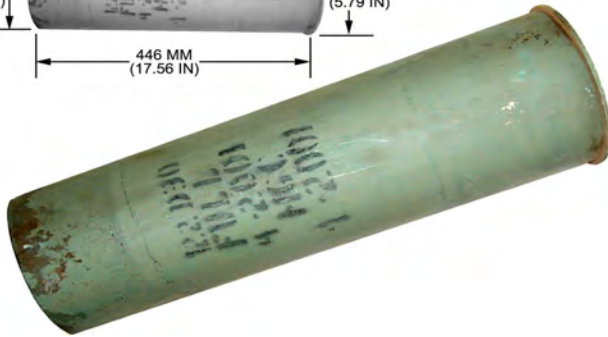
Ordnance used with:  
O-415, 100-MM, HE-FRAG  
KS-19M2, AIR DEFENSE GUN, 100MM  
UO-415, 100-MM, HE, FRAG (IRAQI MODEL)



N.E.W. 7.05 KG



### IRAQI PROPELLING CHARGE, 122-MM, FULL, HGC



Ordnance used with:  
HGC, 122MM, HE  
HGE, 122MM, HE



### IRAQI PROPELLING CHARGE, 122-MM, REDUCED, HGC



Ordnance used with:  
HGC, 122MM, HE  
HGE, 122MM, HE

## ROMANIAN CARTRIDGE, 100-MM, HEAT-T, HXG

Ordnance used with:  
GPV-2, PROJECTILE, PIBD, SPITBACK  
HXG, 100-MM, HEAT-T



## ROMANIAN CARTRIDGE, 100-MM, HEAT-T, UBK-412R

Ordnance used with:  
BK412R, 100-MM, HEAT-T

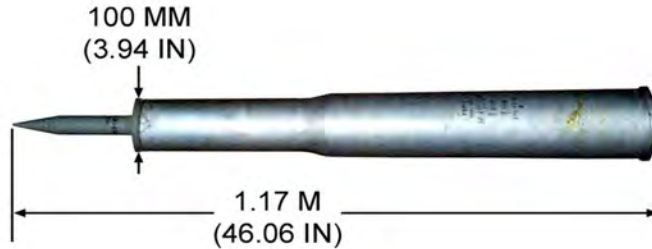


UBK-412R  
100-TANC + ATU  
14/7-9-76-U  
18/1TR-5-76-1  
53-76-7  
**CASE  
MARKINGS**

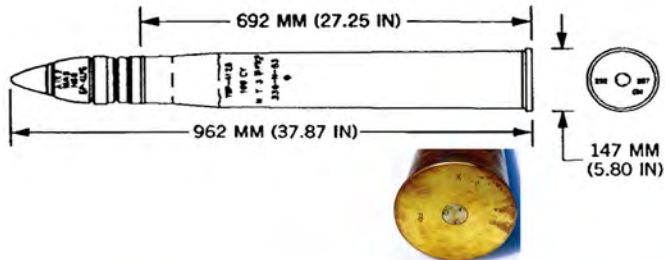




## U.S.S.R. CARTRIDGE, 100-MM, APFSDS-T, UBM-2



Ordnance used with:  
BM-2, 100-MM, APFSDS



## U.S.S.R. CARTRIDGE, 100-MM, APHE OR APHE-T, UBR-412B

Ordnance used with:  
DBR-2, PROJECTILE, BD  
BR-412B, 100-MM, APHE-T  
MD-8, PROJECTILE, BD



## U.S.S.R. CARTRIDGE, 100-MM, APHE OR APHE-T, UBR-412D

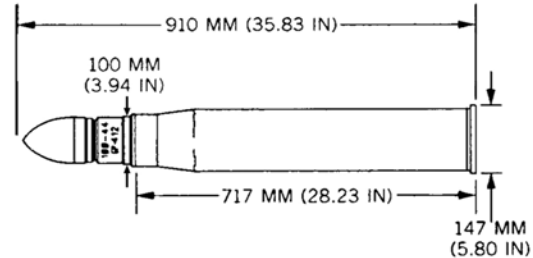
Ordnance used with:  
DBR, PROJECTILE, BD  
DBR-2, PROJECTILE, BD  
BR-412D (VARIANT), 100-MM, APHE-T  
BR-412D, 100-MM, APHE-T  
MD-8, PROJECTILE, BD  
KS-19M2, AIR DEFENSE GUN, 100MM



---

## U.S.S.R. CARTRIDGE, 100-MM, APHE-T, UBR-412

Ordnance used with:  
MD-8, PROJECTILE, BD  
BR-412, 100-MM, APHE-T  
KS-19M2, AIR DEFENSE GUN, 100MM



## U.S.S.R. CARTRIDGE, 100-MM, HE, FRAG, UOF-412



Ordnance used with:  
NSC-1, PROJECTILE, PDS  
OF-412, 100-MM, FRAG-HE  
TYPE 412, PROJECTILE, 100 MM, HE  
RGM, PROJECTILE, PD  
RGM-2, PROJECTILE, PD  
RGM-3, PROJECTILE, PD  
RGM-6, PROJECTILE, PD



## U.S.S.R. CARTRIDGE, 100-MM, HEAT, UBK-2

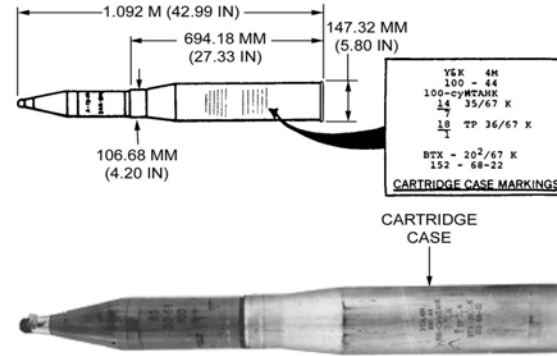


Ordnance used with:  
BK-3, 100-MM, HEAT-FS-T



## U.S.S.R. CARTRIDGE, 100-MM, HEAT-FS, MODEL UBK-4M

Ordnance used with:  
GPV-2, PROJECTILE, PIBD, SPITBACK  
3BK-5M, 100MM, HEAT-FS-T  
3BK5M, 100MM, HEAT-FS-T  
BK-5M, 100MM, HEAT-FS-T  
BK5M, 100MM, HEAT-FS-T  
ZBK-5M, 100MM, HEAT-FS-T

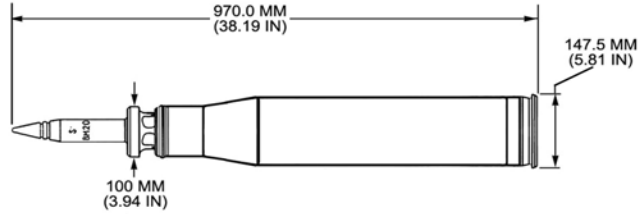


## U.S.S.R. CARTRIDGE, 122-MM, HEAT-FS-T, 3UBK-9

Ordnance used with:  
3BK-13, 122-MM, HEAT-FS-T  
BK-13, 122-MM, HEAT-FS-T  
BK13, 122-MM, HEAT-FS-T  
V-15, FUZE, PROJECTILE, PIBD



## U.S.S.R. CARTRIDGE, 100-MM, APFSDS-T, UBM-8



Ordnance used with:  
BM-20, 100-MM, APFSDS



## UNKNOWN COUNTRY PROPELLING CHARGE, 122-MM, REDUCIBLE, MODEL UNKNOWN

Ordnance used with:  
TYPE 54, 122-MM, HE



N.E.W. 2.75 KG

## CHINESE PROJECTILE, 152-MM, HE, TYPE 66

Ordnance used with:

ML-4

ML4, PROJECTILE, PD

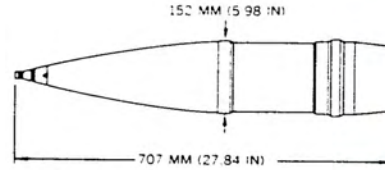
ML-5

ML5, PROJECTILE, PD

LIU-4, PROJECTILE, PD

NO. 2, 152-MM, PROPELLING CHARGE (REDUCED)

UNKNOWN, 152-MM, PROPELLING CHARGE

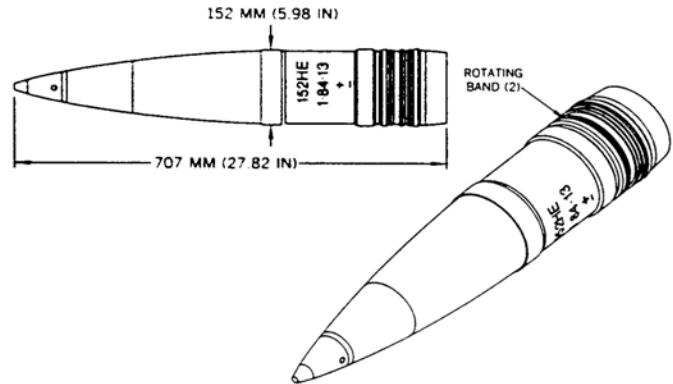


## CHINESE PROJECTILE, 152-MM, HE, TYPE 66

Ordnance used with:

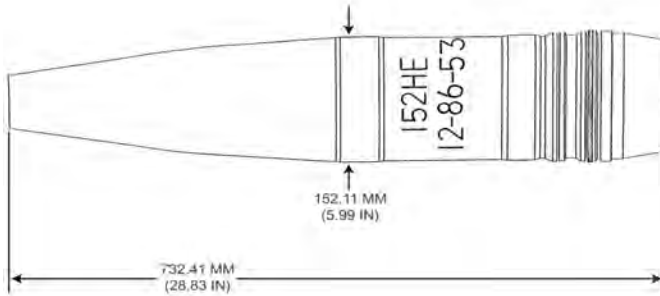
NO. 2, 152-MM, PROPELLING CHARGE (REDUCED)

UNKNOWN, 152-MM, PROPELLING CHARGE



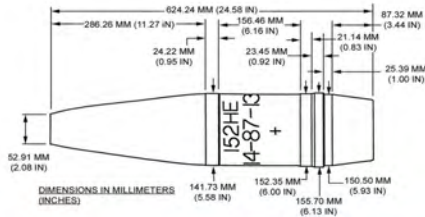
N.E.W. 5.30 KG

## CHINESE PROJECTILE, 152-MM, HE, TYPE 83



Ordnance used with:  
ML-7, PROJECTILE, PD  
ML7, PROJECTILE, PD

N.E.W. 6.60 KG



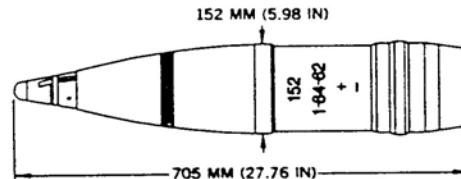
## CHINESE PROJECTILE, 152-MM, HE-FRAG, TYPE 66 MODIFIED

Ordnance used with:  
MD-11  
MD11, PROJECTILE, PROXIMITY/PD  
MD-11D  
MD11D, PROJECTILE, PROXIMITY  
MD-81  
MD81, PROJECTILE, PROXIMITY  
ML-7, PROJECTILE, PD

N.E.W. 5.33 KG

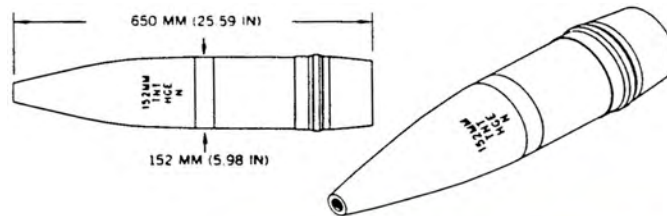


**CHINESE PROJECTILE, 152-MM, INCENDIARY, TYPE 66**



N.E.W. 4.20 KG

**IRAQI PROJECTILE, 152-MM, HE, MODEL UNKNOWN**

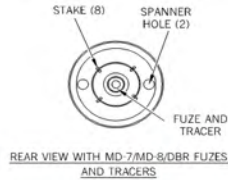
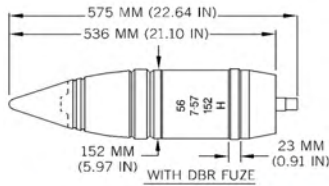


Ordnance used with:  
V-429, PROJECTILE, PD  
B-90, PROJECTILE, MTSQ  
V-90, PROJECTILE, MTSQ  
MODEL UNKNOWN, 152-MM, PROPELLING CHARGE



N.E.W. 6.20 KG

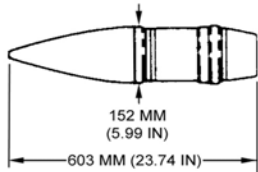




## U.S.S.R. PROJECTILE, 152-MM, APHE-T, BR-540B

Ordnance used with:  
 DBR, PROJECTILE, BD  
 DBR-2, PROJECTILE, BD  
 MD-7, FUZE, PROJECTILE, BD  
 MD-8, PROJECTILE, BD

N.E.W. 471.00 G



## U.S.S.R. PROJECTILE, 152-MM, CP, MODEL G-530

Ordnance used with:  
 DBT, PROJECTILE, BD  
 KTD, PROJECTILE, BD  
 KTD-2, PROJECTILE, BD

N.E.W. 5.10 KG

## U.S.S.R. PROJECTILE, 152-MM, FRAG/HE, MODEL OF-540

Ordnance used with:

D-1, PROJECTILE, TSQ

RGM-2, PROJECTILE, PD

RGM-3, PROJECTILE, PD

AR 7 (SIGNAL), PROJECTILE, PROXIMITY/PD

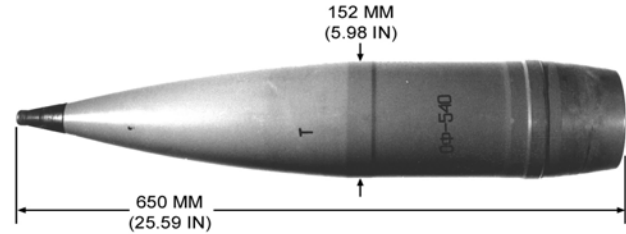
V-429, PROJECTILE, PD

V-429E, PROJECTILE, PD

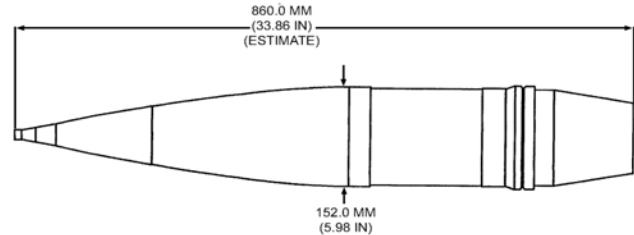
B-90, PROJECTILE, MTSQ

N.E.W. 5.70 KG

---

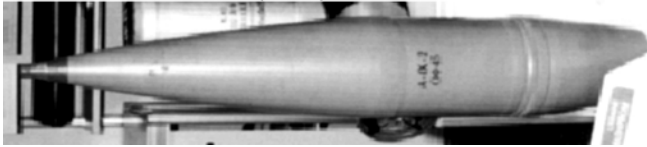
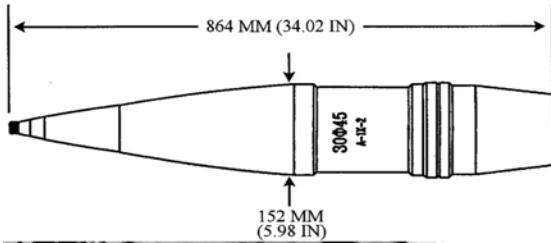


## U.S.S.R. PROJECTILE, 152-MM, HE, 3OF64



N.E.W. 7.80 KG

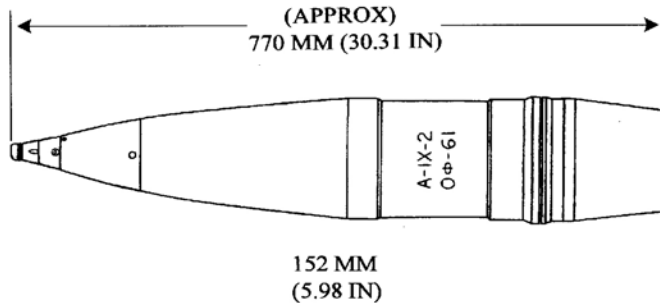
---



**U.S.S.R. PROJECTILE, 152-MM, HE, BASE BLEED, 30F45**

Ordnance used with:  
RGM-2M, PROJECTILE, PD

N.E.W. 7.65 KG



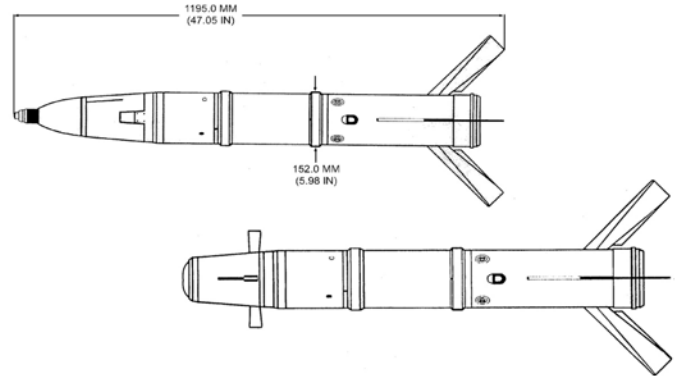
**U.S.S.R. PROJECTILE, 152-MM, HE, BASE-BURN, OF-61**

Ordnance used with:  
RGM-2, PROJECTILE, PD  
RGM-3, PROJECTILE, PD  
V-429, PROJECTILE, PD  
V-429E, PROJECTILE, PD

N.E.W. 9.14 KG

**U.S.S.R. PROJECTILE, 152-MM, HE, SANTIMETR  
30F38**

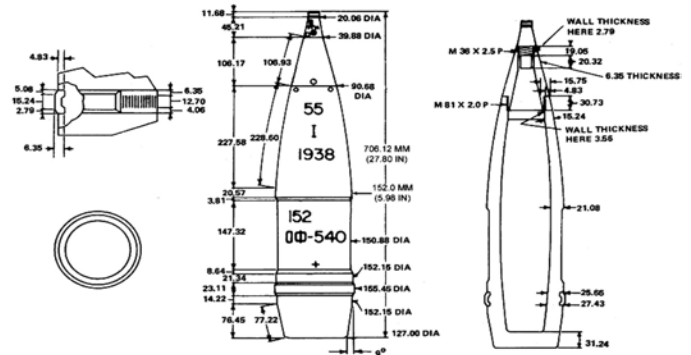
Ordnance used with:  
T-90, PROJECTILE, MT



N.E.W. 5.80 KG

**U.S.S.R. PROJECTILE, 152-MM, HE-FRAG,  
(TWO-PIECE), MODEL OF-540**

Ordnance used with:  
RGM, PROJECTILE, PD  
D-1-U, PROJECTILE, TSQ  
D-1U, PROJECTILE, TSQ



N.E.W. 6.24 KG



### U.S.S.R. PROJECTILE, 152-MM, HE-FRAG, OF25

Ordnance used with:  
RGM-2M, PROJECTILE, PD  
T-90, PROJECTILE, MT  
B-90, PROJECTILE, MTSQ  
V-90, PROJECTILE, MTSQ

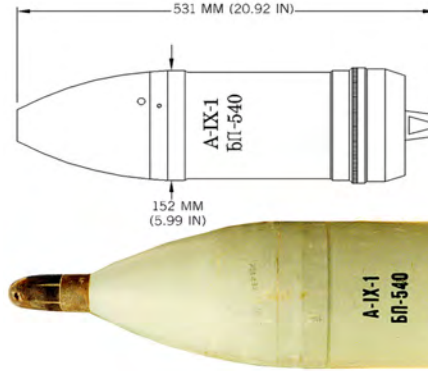


### U.S.S.R. PROJECTILE, 152-MM, HE-FRAG, OF29

Ordnance used with:  
V-429, PROJECTILE, PD

## U.S.S.R. PROJECTILE, 152-MM, HEAT-T, BP-540

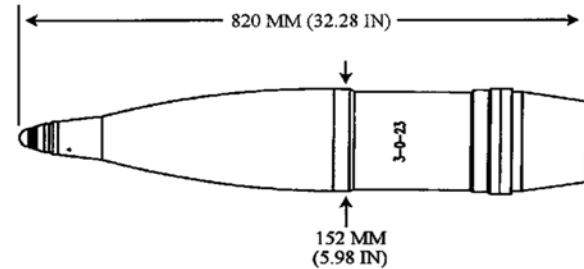
Ordnance used with:  
GKV, PROJECTILE, PIBD  
GPV-3, PROJECTILE, PIBD



N.E.W. 4.02 KG

## U.S.S.R. PROJECTILE, 152-MM, ICM, BASE BLEED, 3-O-23

Ordnance used with:  
UNKNOWN, PROJECTILE, HEAT

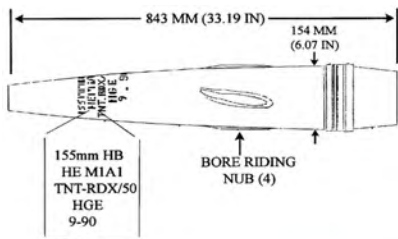


N.E.W. 1.89 KG



### UNKNOWN COUNTRY PROJECTILE, 152-MM, HE, H-EX-S

Ordnance used with:  
RGM-2, PROJECTILE, PD



### IRAQI PROJECTILE, 155-MM, HE, M1A1

Ordnance used with:  
GHN-45, GUN, HOWITZER, 155MM, TOWED

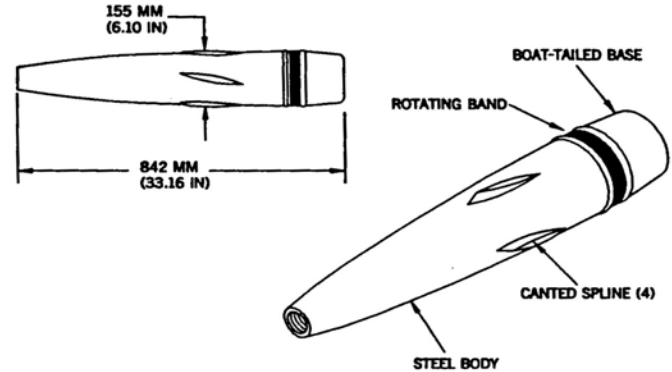


N.E.W. 8.54 KG

## CANADIAN PROJECTILE, 155-MM, HE-FRAG, MK 10 MODEL 2

Ordnance used with:  
M557, FUZE, PROJECTILE, PD  
M572, FUZE, PROJECTILE, PD  
M728, FUZE, PROJECTILE, PROXIMITY  
M732 PROJECTILE, PROXIMITY  
M514A1E1, FUZE, PROJECTILE, PROX  
GHN-45, GUN, HOWITZER, 155MM, TOWED

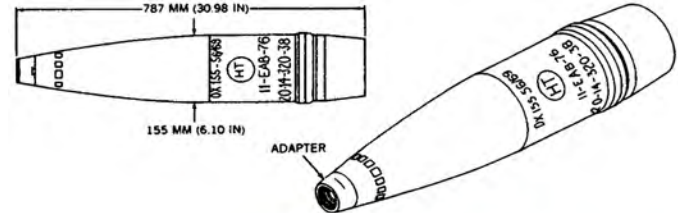
N.E.W. 8.80 KG



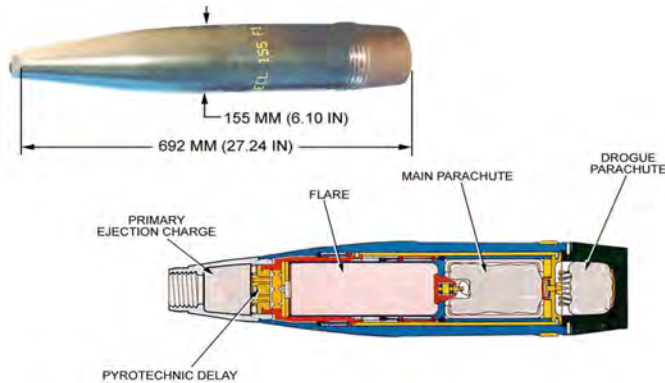
## FRENCH PROJECTILE, 155-MM, HE, MODEL 56, MODEL 56/69

Ordnance used with:  
M500, FUZE, PROJECTILE, MTSQ  
M51A4, FUZE, PROJECTILE, PD  
M51A5, FUZE, PROJECTILE, PD  
M520, FUZE, PROJECTILE, MTSQ  
M520A1, FUZE, PROJECTILE, MTSQ  
M557, FUZE, PROJECTILE, PD  
M564, FUZE, PROJECTILE, MTSQ

N.E.W. 9.05 KG

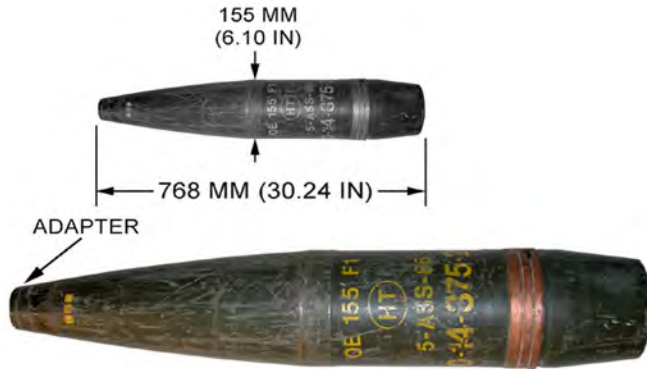






## FRENCH PROJECTILE, 155-MM, ILLUMINATION, OECL 155 F1

Ordnance used with:  
 M565, PROJECTILE, MT  
 M565E1, PROJECTILE, MT  
 FU DE F2, PROJECTILE, MTSQ  
 M548, FUZE, PROJECTILE, MTSQ  
 FU ELN DE H1, PROJECTILE, ET



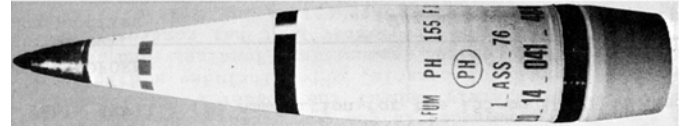
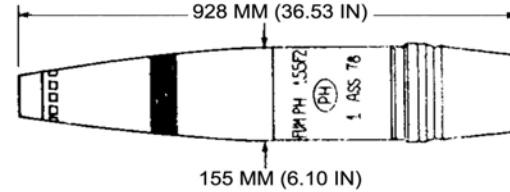
## FRENCH PROJECTILE, 155-MM, OE 155 F1, HE

Ordnance used with:  
 M500, FUZE, PROJECTILE, MTSQ  
 M51A4, FUZE, PROJECTILE, PD  
 M51A5, FUZE, PROJECTILE, PD  
 M520, FUZE, PROJECTILE, MTSQ  
 M520A1, FUZE, PROJECTILE, MTSQ  
 M557, FUZE, PROJECTILE, PD  
 M564, FUZE, PROJECTILE, MTSQ  
 N.E.W. 8.80 KG

## FRENCH PROJECTILE, 155-MM, SMOKE, WP, MODEL F2

Ordnance used with:  
M557, FUZE, PROJECTILE, PD  
FUI 56, PROJECTILE, PD  
MFUI 56, PROJECTILE, PD

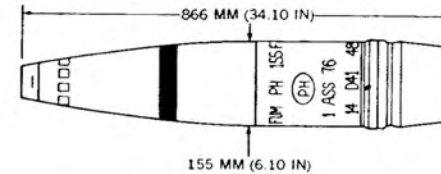
N.E.W. 220.00 G

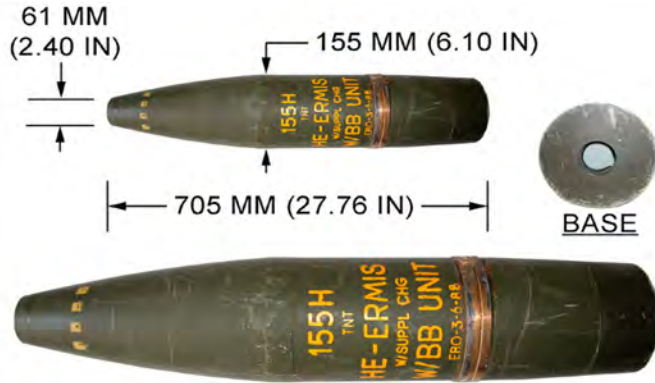


## FRENCH PROJECTILE, 155-MM, SMOKE, WP, MODEL FIA

Ordnance used with:  
M557, FUZE, PROJECTILE, PD  
M557E1, PD  
FUI F4, PROJECTILE, PD  
TYPE F4, PD  
FUI 56, PROJECTILE, PD  
FUI F3, PROJECTILE, PD  
TYPE F3, PD

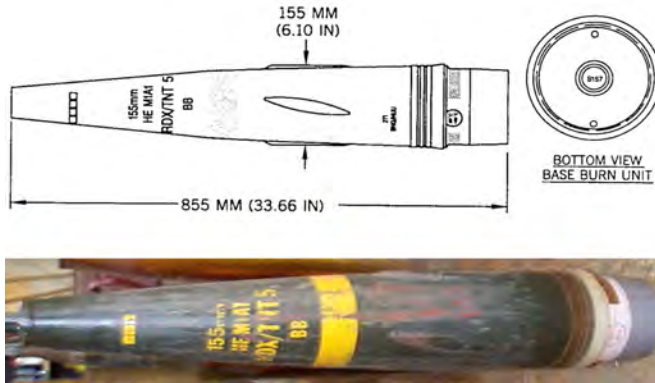
N.E.W. 150.00 G





## GREEK PROJECTILE, 155-MM, HE-BB, ERMIS

Ordnance used with:  
 M572, FUZE, PROJECTILE, PD  
 M582, FUZE, PROJECTILE, MTSQ  
 M732 PROJECTILE, PROXIMITY  
 M739, FUZE, PROJECTILE, PD

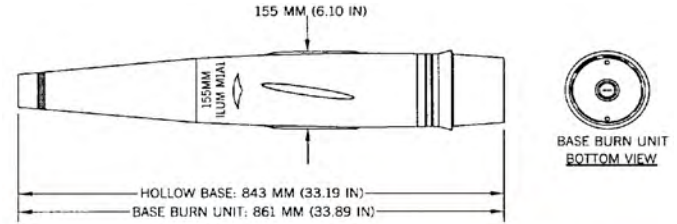


## SOUTH AFRICAN PROJECTILE, 155-MM, HE, M1A1

Ordnance used with:  
 M557, FUZE, PROJECTILE, PD  
 M739, FUZE, PROJECTILE, PD  
 ZELAR, PROJECTILE, PROXIMITY/IMPACT  
 M8513, PROJECTILE, PROXIMITY/PD  
 M 841A1, PROJECTILE, PDSQ  
 M841A1, PROJECTILE, PDSQ  
 M8513A1, PROJECTILE, PROXIMITY/PD  
 N.E.W. 9.20 KG

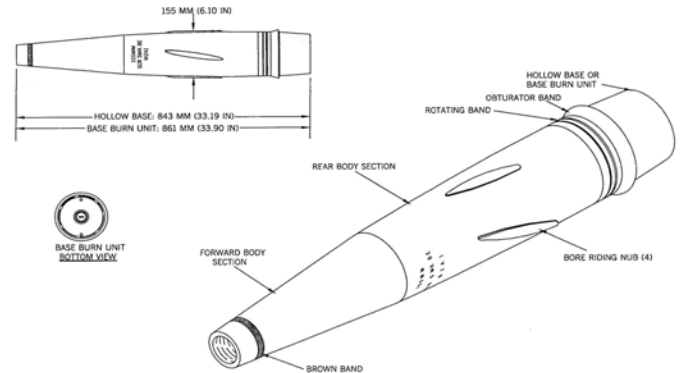
## SOUTH AFRICAN PROJECTILE, 155-MM, ILLUMINATION, M1A1

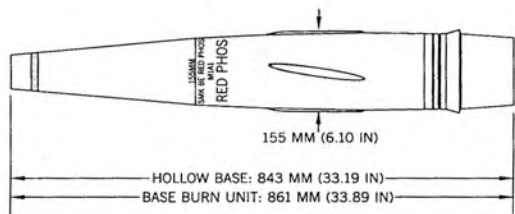
Ordnance used with:  
M8611A1, FUZE, PROJECTILE, ET  
MODEL UNKNOWN, 155-MM, BASE BLEED UNIT  
M50A1, 155-MM, PROPELLING CHARGE  
M53A2, 155 MM, PROPELLING CHARGE, MODULAR  
M91A1, 155-MM, PROPELLING CHARGE  
M92A1, 155-MM, PROPELLING CHARGE, BIMODULAR  
M62A1, 155 MM, PROPELLING CHARGE UNIMODULAR



## SOUTH AFRICAN PROJECTILE, 155-MM, SMOKE, HC, M2A1

Ordnance used with:  
M8611A1, FUZE, PROJECTILE, ET  
MODEL UNKNOWN, 155-MM, BASE BLEED UNIT  
M50A1, 155-MM, PROPELLING CHARGE  
M53A2, 155 MM, PROPELLING CHARGE, MODULAR  
M91A1, 155-MM, PROPELLING CHARGE  
M92A1, 155-MM, PROPELLING CHARGE, BIMODULAR  
M62A1, 155 MM, PROPELLING CHARGE UNIMODULAR



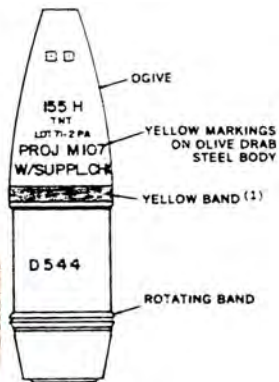
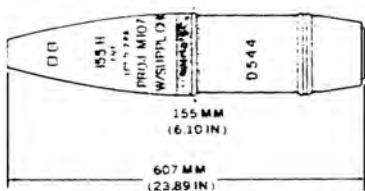


## SOUTH AFRICAN PROJECTILE, 155-MM, SMOKE, RP, M1A1

Ordnance used with:  
 M8611A1, FUZE, PROJECTILE, ET  
 MODEL UNKNOWN, 155-MM, BASE BLEED UNIT  
 M50A1, 155-MM, PROPELLING CHARGE  
 M53A2, 155 MM, PROPELLING CHARGE, MODULAR  
 M91A1, 155-MM, PROPELLING CHARGE  
 M92A1, 155-MM, PROPELLING CHARGE, BIMODULAR  
 M62A1, 155 MM, PROPELLING CHARGE UNIMODULAR



N.E.W. 1108.00 G



## U.K. PROJECTILE, 155-MM, HE, M107

Ordnance used with:  
 M507, FUZE, PROJECTILE, PD  
 M557, FUZE, PROJECTILE, PD  
 M732 PROJECTILE, PROXIMITY  
 M83, PROJECTILE, CP  
 APP155, PROJECTILE, PROXIMITY  
 APP155, PROJECTILE, PROXIMITY/PD (ESTHER)  
 L85A2, PROJECTILE, PD



## U.S. PROJECTILE, 155-MM, HE, M107

Ordnance used with:

M48, PROJECTILE, PD

M48A1, PROJECTILE, PD

M48A2, FUZE, PROJECTILE, PD

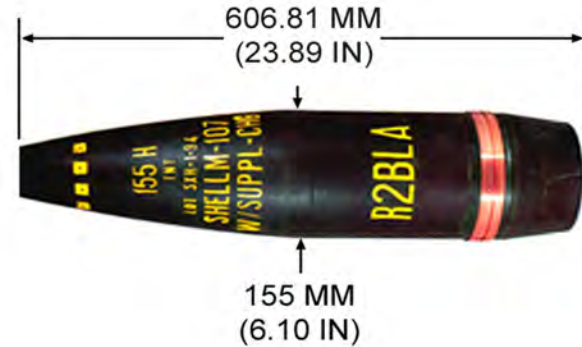
M48A3, FUZE, PROJECTILE, PD

M500, FUZE, PROJECTILE, MTSQ

M501, FUZE, PROJECTILE, MTSQ

M501A1, FUZE, PROJECTILE, MTSQ

N.E.W. 7.13 KG



## U.S. PROJECTILES, 155-MM, HERA, M549 & M549A1

Ordnance used with:

M48, PROJECTILE, PD

M48A1, PROJECTILE, PD

M48A2, FUZE, PROJECTILE, PD

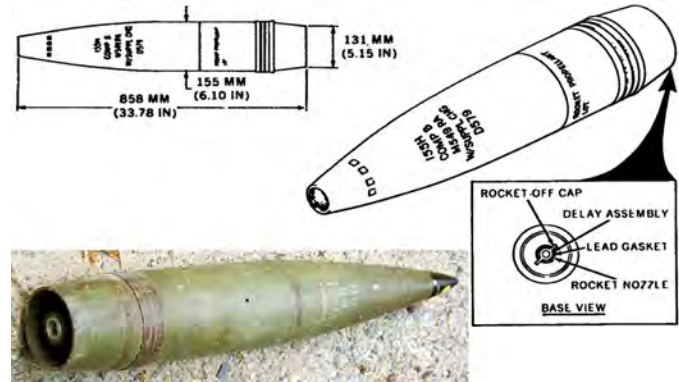
M48A3, FUZE, PROJECTILE, PD

M501, FUZE, PROJECTILE, MTSQ

M501A1, FUZE, PROJECTILE, MTSQ

M507, FUZE, PROJECTILE, PD

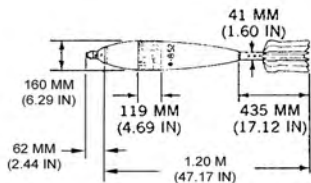
N.E.W. 6.80 KG





**CHINESE PROJECTILE, 160-MM, HE, MORTAR, MODEL UNKNOWN**

MARKINGS



**U.S.S.R. PROJECTILE, 160-MM, MORTAR, HE, MODEL F-852**

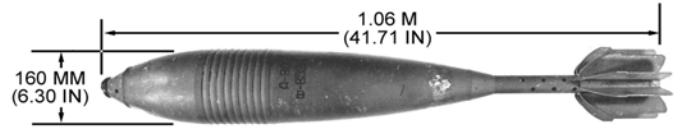
Ordnance used with:  
 GVM, FUZE, PROJECTILE, PD  
 GVMZ, FUZE, PROJECTILE, PD  
 GVMZ-1, FUZE, PROJECTILE, PD  
 GVMZ-7, PROJECTILE, PD



N.E.W. 7.39 KG

**U.S.S.R. PROJECTILE, 160-MM, MORTAR, HE, MODEL F-853A**

Ordnance used with:  
GVMZ-7, PROJECTILE, PD

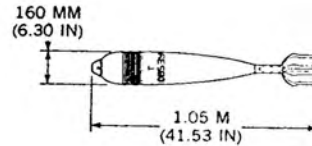


N.E.W. 7.73 KG

---

**U.S.S.R. PROJECTILE, 160-MM, MORTAR, HE, MODEL F-853U**

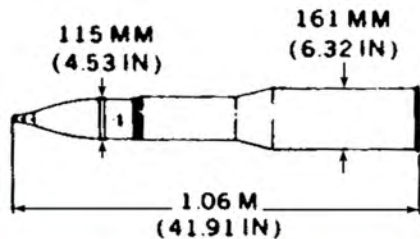
Ordnance used with:  
GVMZ-7, PROJECTILE, PD



N.E.W. 8.99 KG

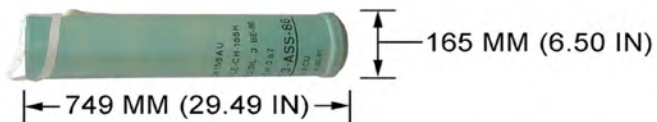
---





**U.S.S.R. CARTRIDGE, 115-MM, HE, FRAG, MODEL UOF-6**

Ordnance used with:  
 OF-18, 115-MM, HE-FRAG  
 V-429, PROJECTILE, PD  
 V-429E, PROJECTILE, PD

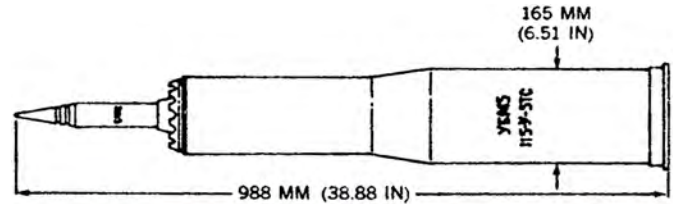


**FRENCH PROPELLING CHARGE, 155-MM, VARIABLE, CN155AU**



## U.S.S.R. CARTRIDGE, 115-MM, HVAP-FS-DS-T MODEL UBM-5

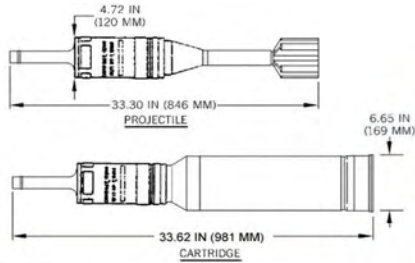
Ordnance used with:  
BM-6, 115-MM, APFSDS-T



## CHINESE PROPELLING CHARGE (REDUCED), 152-MM, NO. 2

Ordnance used with:  
TYPE 66, 152-MM, HE  
TYPE 66, 152 MM, HE  
TYPE 66 MODIFIED, 152 MM, HE





## U.S. CARTRIDGE, 120-MM, HEAT-MP-T, M830

Ordnance used with:  
M830, 120-MM, CARTRIDGE, HEAT-MP-T  
M830, 120-MM, HEAT-MP-T



N.E.W. 32.00 LB

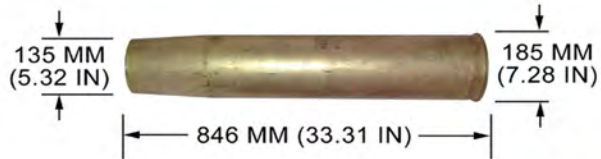
## U.S.S.R. CARTRIDGE, 115-MM, FS, HEAT, MODEL UBK-3M



Ordnance used with:  
BK-4M, 115-MM, HEAT-FS  
GPV-2, PROJECTILE, PIBD, SPITBACK

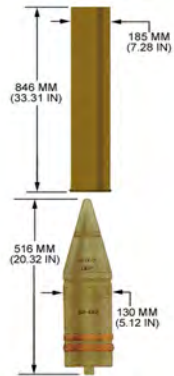
N.E.W. 6.78 KG





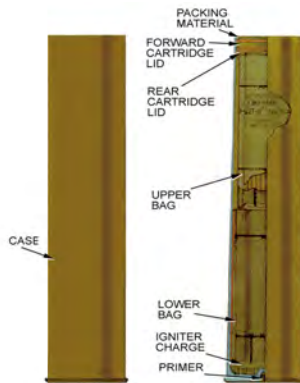
## IRAQI PROPELLING CHARGE, 130-MM, REDUCED,

Ordnance used with:  
HE482M, 130-MM, HE



## U.S.S.R. CARTRIDGE, 130-MM, M46

Ordnance used with:  
TYPE 59, 130-MM, ILLUM  
TYPE 59-1, 130-MM, SMOKE  
BR-482B, 130-MM, APHE-T  
DBR, PROJECTILE, BD  
DBR-2, PROJECTILE, BD  
DTS-1, 130-MM, SMOKE, WP  
OF-482M, 130-MM, FRAG-HE



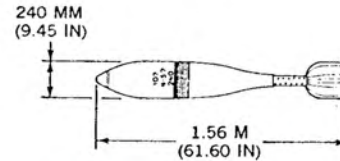
**U.S.S.R. PROPELLING CHARGE, 152-MM, ZH 47**



N.E.W. 19.60 KG

**U.S.S.R. PROJECTILE, 240-MM, HE, FIN-STABILIZED, MODEL F864**

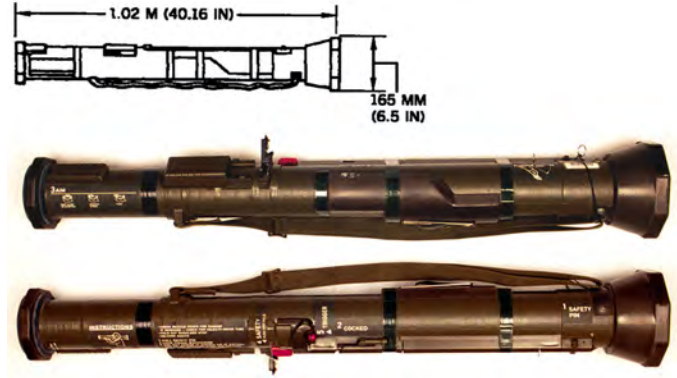
Ordnance used with:  
GVMZ-7, PROJECTILE, PD  
M16, PROJECTILE, PD



N.E.W. 31.93 KG

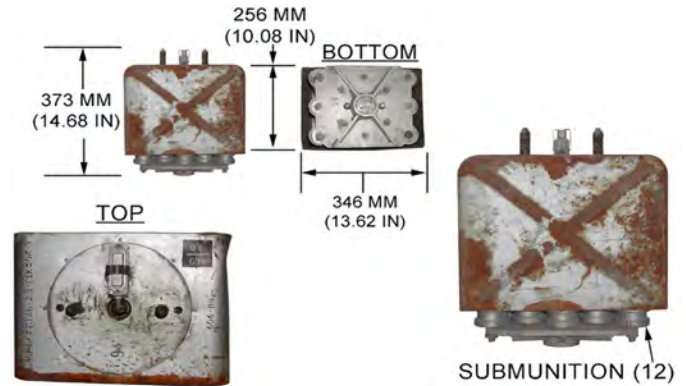
## SWEDISH LAUNCHER FOR 84-MM, HEAT, MODEL AT-4 CARTRIDGE

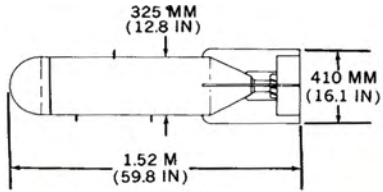
Ordnance used with:  
AT-4, CARTRIDGE, 84-MM HEAT  
M136



## U.S.S.R. DISPENSER, BKF PTAB-2.5 KO, SUBMUNITION CONTAINER UNIT

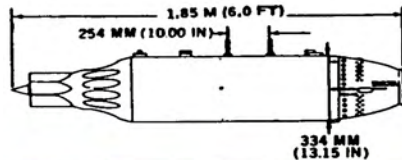
Ordnance used with:  
KMGU  
KMGU-2, DISPENSER, CAPTIVE  
PTAB-2.5 KO, BOMB, HEAT/FRAG





## CHINESE DISPENSER, 250-KG, TYPE 2

Ordnance used with:  
 TYPE 1, BOMB, 2-KG, HEAT  
 TYPE 1, BOMB, 5 KG, FRAG  
 HANG-YIN-4B  
 HANG-YIN-4C



## U.S.S.R. LAUNCHER, 57-MM ROCKET, UB-16-57-U

Ordnance used with:  
 C-5K, 57-MM, HEAT, AIR-TO-SURFACE  
 S-5K, 57-MM, HEAT, AIR-TO-SURFACE  
 S-5M, 57-MM, HE, AIR-TO-SURFACE  
 V-5K, ROCKET, PD, AIR-TO-SURFACE  
 V-5M1, ROCKET, PDSD  
 S-5K1, 57-MM, HEAT, AIR-TO-SURFACE  
 S-5M1, 57-MM, HE-FRAG, AIR-TO-SURFACE

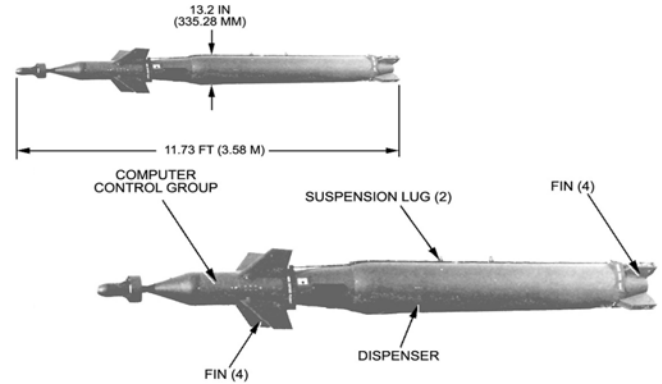


## U.S. BOMB, CLUSTER, GUIDED ROCKEYE MUNITION (GRM)

Ordnance used with:  
FMU-56B/B, BOMB FUZE, PROXIMITY  
MK 7 MOD 2, DISPENSER  
BOMB, AT, MK 118 MOD 0, ROCKEYE  
BOMB, AT, MK 118 MOD 1, ROCKEYE  
KMU-388/B, LASER GUIDANCE KIT,

N.E.W. 245.00 LB

---

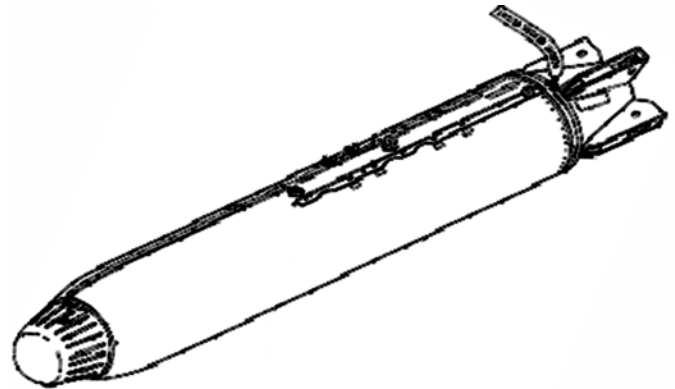


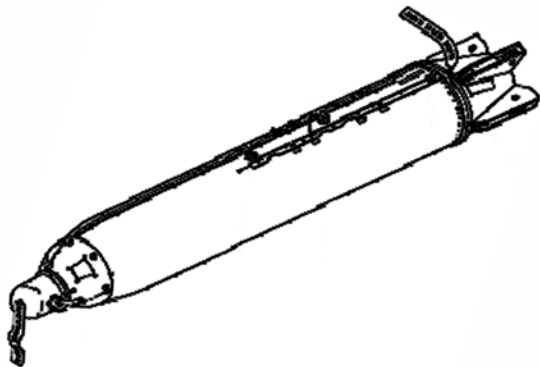
## U.S. CLUSTER BOMB UNIT, MK 20 MOD 10

Ordnance used with:  
FMU-140/B, NOSE, PROXIMITY  
BOMB, AT, MK 118 MOD 0, ROCKEYE  
MK 7 MOD 10, DISPENSER

N.E.W. 18.50 G

---



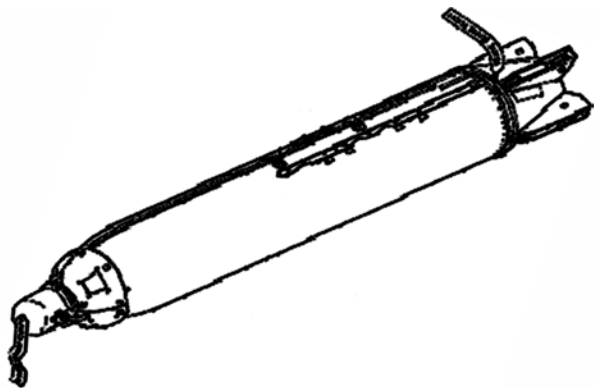


### **U.S. CLUSTER BOMB UNIT, MK 20 MOD 7 (ROCKEYE)**

Ordnance used with:  
MK 339 MOD 1, MT  
BOMB, AT, MK 118 MOD 0, ROCKEYE  
MK 7 MOD 7, DISPENSER

N.E.W. 18.50 G

---



### **U.S. CLUSTER BOMB UNIT, MK 20 MOD 8**

Ordnance used with:  
MK 339 MOD 1, MT  
BOMB, AT, MK 118 MOD 0, ROCKEYE  
A-1, BRAZILIAN FIGHTER  
AMX, ITALIAN FIGHTER  
MK 7 MOD 8 DISPENSER  
MK 7 MOD 12 DISPENSER

N.E.W. 18.50 G

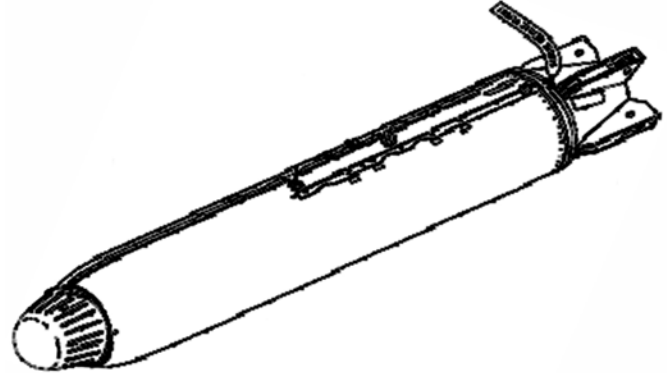
---

## U.S. CLUSTER BOMB UNIT, MK 20 MOD 9

Ordnance used with:  
FMU-140/B, NOSE, PROXIMITY  
BOMB, AT, MK 118 MOD 0, ROCKEYE  
MK 7 MOD 9, DISPENSER

N.E.W. 18.50 G

---

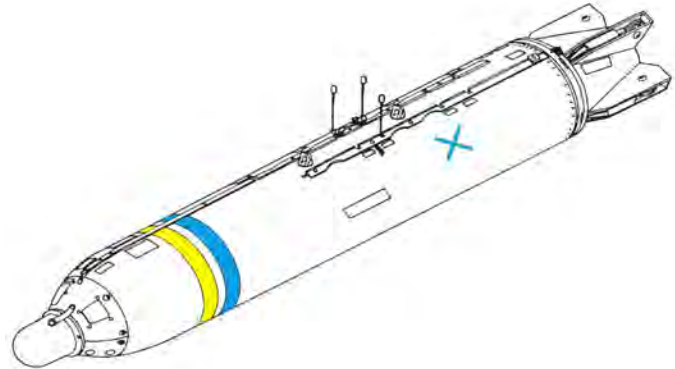


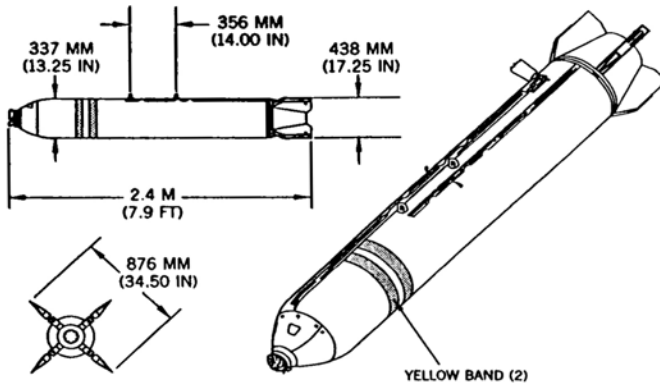
## U.S. DISPENSER, LEAFLET, PDU-5/B

Ordnance used with:  
MK 339 MOD 0, MT  
MK 339 MOD 1, MT  
MK 7 MOD 3, DISPENSER  
SUU-76C/B

N.E.W. 27.90 G

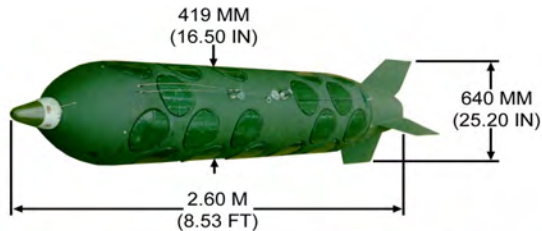
---





## U.S. DISPENSER, SUU-58/B

Ordnance used with:  
 FMU-140/B, NOSE, PROXIMITY  
 MK 339 MOD 0, MT  
 MK 339 MOD 1, MT  
 MK 7 MOD 6, DISPENSER  
 BLU-91/B, BOMB, AT/AV  
 GATOR  
 BLU-92/B, BOMB, APERS  
 N.E.W. 19.00 G



## SOUTH AFRICAN BOMB UNIT, CLUSTER, 450-KG, CB470

Ordnance used with:  
 A-1, BRAZILIAN FIGHTER  
 AMX, ITALIAN FIGHTER  
 ALPHA, BOMB, 6.2 KG  
 ALPHA, SUBMUNITION  
 JUPITER 6, BOMB, NOSE, PROXIMITY (ASERMA)

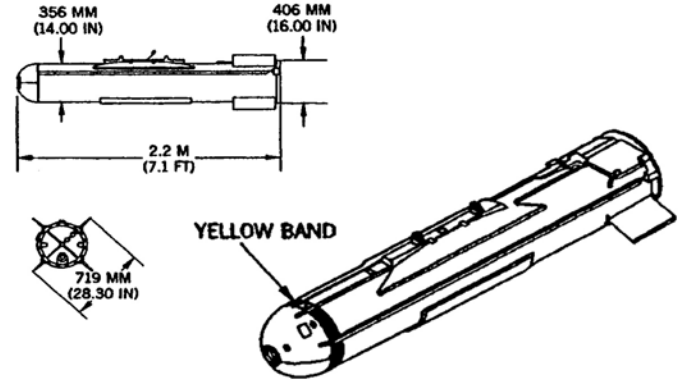


N.E.W. 52.80 KG

## U.S. DISPENSER, SUU-49A/B

Ordnance used with:  
FMU-83/B, BOMB FUZE, MT  
MK 339 MOD 0, MT  
MK 339 MOD 1, MT  
BLU-73A/B, BOMB, FAE  
BLU-98/B, BOMB, SMOKE  
CBU-72/B  
CBU-55A/B

N.E.W. 35.00 G

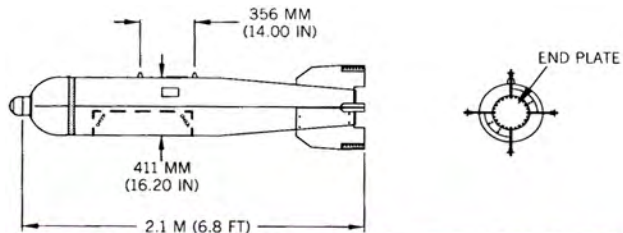


## U.S. CLUSTERS, CLUSTER BOMBS, AND CLUSTER BOMB UNIT (CBU) SYSTEMS; CBU-58A/B, 58/B, 71A/B, 71/B

Ordnance used with:  
MK 339 MOD 0, MT  
MK 339 MOD 1, MT  
SUU-30H/B, DISPENSER  
BLU-63/B, BOMB, FRAG  
BLU-73A/B, BOMB, FAE  
BLU-86A/B, BOMB, FRAG

N.E.W. 158.00 LB





## U.S. DISPENSER, SUU-30B/B

Ordnance used with:

FMU-105A/B, PROXIMITY

FMU-110/B, NOSE, PROXIMITY

FMU-26/B, BOMB FUZE, NOSE & TAIL, MULTIPURPOSE

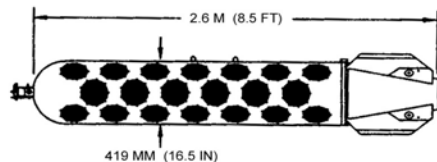
FMU-26A/B, BOMB FUZE, NOSE & TAIL, MULTIPURPOSE

FMU-26B/B, BOMB FUZE, NOSE & TAIL, MULTIPURPOSE

FMU-56/B, PROXIMITY

FMU-56A/B, PROXIMITY

N.E.W. 0.00 G

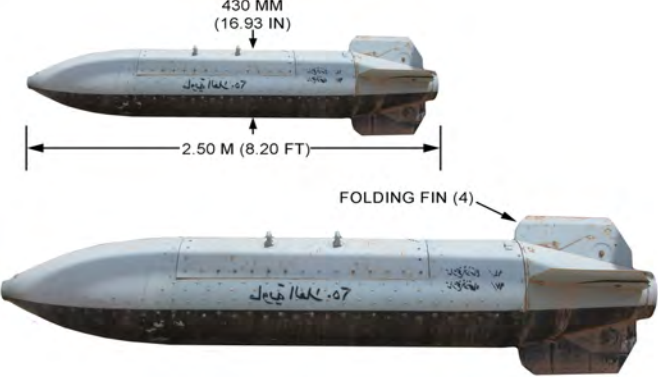


## IRAQI BOMB, CLUSTER, MODEL UNKNOWN

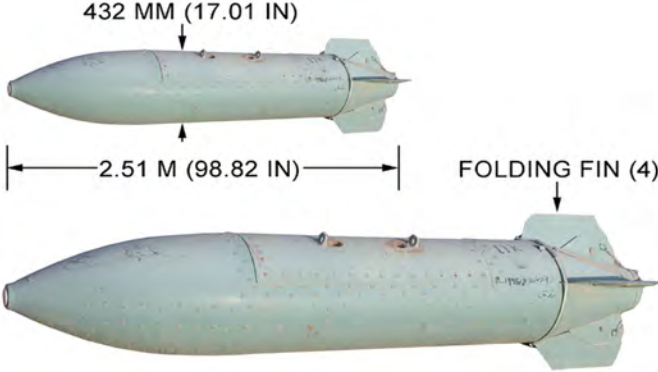
Ordnance used with:

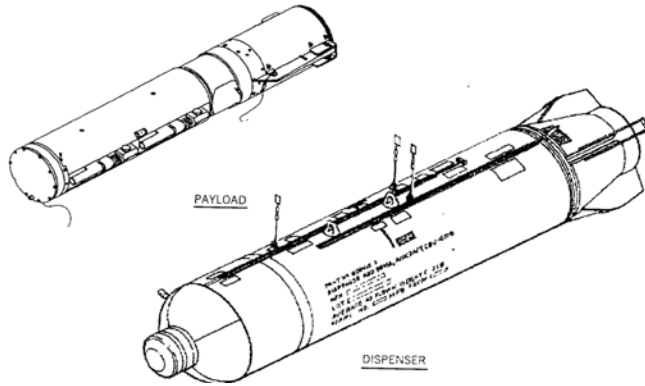
EEA III, BOMB, NOSE, ELECTRONIC TIME (ET)

**UNKNOWN COUNTRY DISPENSER, TYPE AND MODEL UNKNOWN**



**UNKNOWN COUNTRY DISPENSER, TYPE AND MODEL UNKNOWN**





## TYPICAL CLUSTER, CLUSTER BOMB, OR CBU SYSTEM

Ordnance used with:

MK 339 MOD 1, MT

MK 7 MOD 2, DISPENSER

SUU-49A/B, DISPENSER

SUU-58/B, DISPENSER

SUU-64/B, DISPENSER

BLU-108/B, BOMB, (SENSOR FUZED WEAPON)

BLU-73A/B, BOMB, FAE

N.E.W. 100.00 LB



## U.S. CLUSTERS, CLUSTER BOMBS, AND CLUSTER BOMB UNIT (CBU) SYSTEMS; MK 20 MOD 3, 4, & 6 CB

Ordnance used with:

MK 339 MOD 0, MT

MK 339 MOD 1, MT

MK 7 MOD 3, DISPENSER

MK 7 MOD 4, DISPENSER

MK 7 MOD 6, DISPENSER

MK 118, VECP MODIFIED, (ROCKEYE)

BOMB, AT, MK 118 MOD 0, ROCKEYE

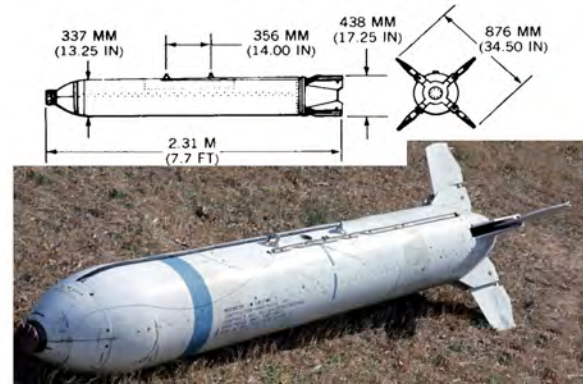
N.E.W. 100.00 LB



## U.S. DISPENSERS, MK 7 MODS 2, 3, 4 & 6

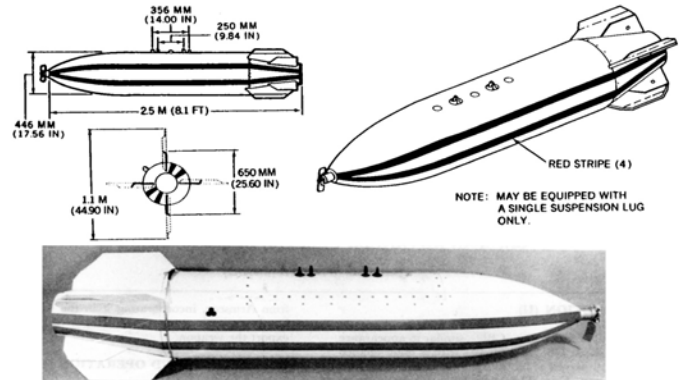
Ordnance used with:  
FMU-140/B, NOSE, PROXIMITY  
FMU-56B/B, BOMB FUZE, PROXIMITY  
MK 339 MOD 0, MT  
MK 339 MOD 1, MT  
BLU-77/B, BOMB UNIT, HEAT-FRAG  
BLU-91/B, BOMB, AT/AV  
GATOR

N.E.W. 18.50 G



## CHILEAN BOMB, CLUSTER, CB-500-LB, CB-500-K

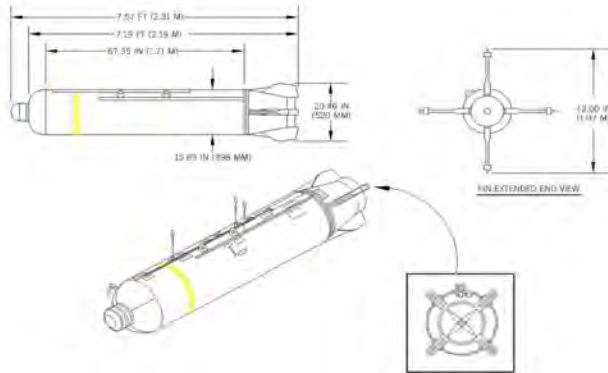
Ordnance used with:  
CTBF-1, BOMB, NOSE, TIME DELAY  
UNKNOWN, 1.6 LB, SUBMUNITION  
PM-1, BOMB, HEAT/APERS, INCENDAIRY  
EEA III, BOMB, NOSE, ELECTRONIC TIME (ET)  
EEA II, BOMB, NOSE, ELECTRONIC TIME (ET)



## U.S.S.R. LAUNCHER, MODEL UB-32A1



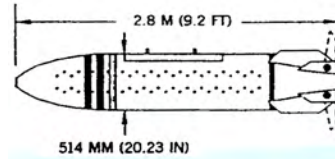
Ordnance used with:  
S-5KO, 57-MM, WARHEAD, HEAT-FRAG, AIR-TO-SURFACE  
S-5KPB, 57-MM, HEAT/FRAG, AIR-TO-SURFACE  
S-5M, 57-MM, HE, AIR-TO-SURFACE  
S-5KP, 57-MM, HEAT/FRAG, AIR-TO-SURFACE



## U.S. DISPENSER, WIND CORRECTED MUNITIONS DISPENSER (WCMD), SUU-66/B

Ordnance used with:  
BLU-108/B, BOMB, (SENSOR FUZED WEAPON)  
BLU-108A/B, BOMB, (SENSOR FUZED WEAPON)  
BLU-108 (D-4)/B (SENSOR FUZED WEAPON - TEST UNIT)  
CBU-105/B (WCMD)  
CBU-105A/B (WCMD)  
FZU-39/B, PROXIMITY SENSOR, CBU  
BLU-108B/B, BOMB, HE, (SENSOR FUZED WEAPON)  
N.E.W. 106.00 LB

## IRAQI BOMB, CLUSTER, 250-KG, NAAMAN-250



## U.S. AIRCRAFT WIND-CORRECTED MUNITIONS DISPENSER, SUU-64/B

Ordnance used with:

BLU-91/B, BOMB, AT/AV

GATOR

BLU-92/B, BOMB, APERS

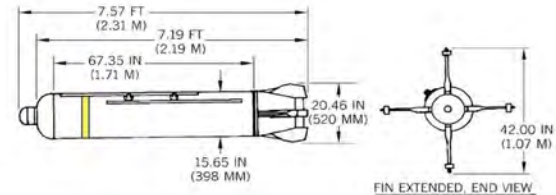
GATOR

CBU-89/B

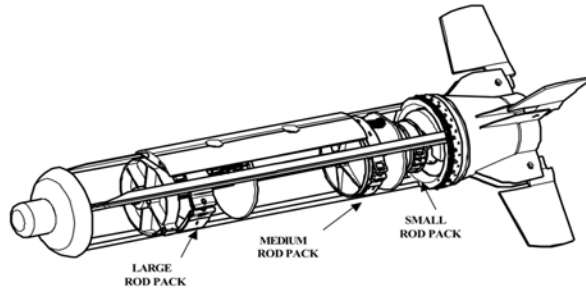
CBU-89A/B

FZU-39/B, PROXIMITY SENSOR, CBU

N.E.W. 116.00 LB



## U.S. CLUSTER BOMB UNIT PASSIVE ATTACK WEAPON (PAW) CBU-107/B



Ordnance used with:  
SUU-66/B, DISPENSER (WCMD)  
UNDESIG TUNGSTEN ROD ASSY, 0.590-INCH, INERT, LARGE  
UNDESIG TUNGSTEN ROD ASSY, 0.375-INCH, INERT, SMALL  
UNDESIG STAINLESS STEEL ROD ASSY, INERT, SMALL  
UNDESIG STAINLESS STEEL ROD ASSY, INERT, LARGE

N.E.W. 1.00 LB

---

## U.S. CLUSTERS, CLUSTER BOMBS, AND CLUSTER BOMB UNIT (CBU) SYSTEMS; CBU-87/B & 89A/B



Ordnance used with:  
SUU-64/B, DISPENSER  
SUU-65/B, DISPENSER  
BLU-91/B, BOMB, AT/AV  
GATOR  
BLU-92/B, BOMB, APERS  
GATOR  
BLU-97/B, BOMB FRAG/ HEAT

N.E.W. 116.10 LB

---

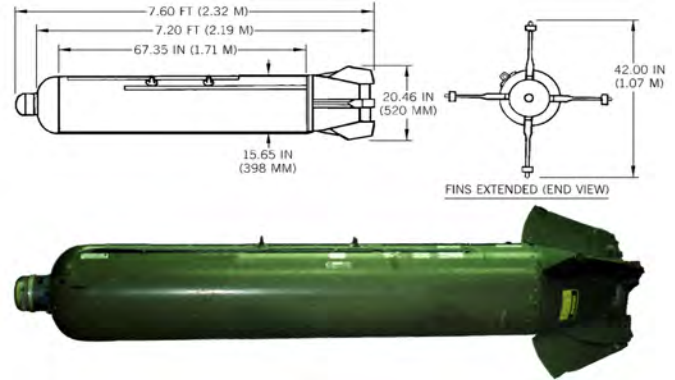
## U.S. DISPENSER, AIRCRAFT, SUU-65/B

Ordnance used with:

BLU-97/B, BOMB FRAG/ HEAT  
BLU-97A/B, BOMB, FRAG/HEAT  
CBU-87/B  
CBU-87A/B  
CBU-87B/B

FZU-39/B, PROXIMITY SENSOR, CBU  
BLU-114/B, SUBMUNITION, ANTI-ELECTRICAL

N.E.W. 12.00 OZ



## U.S.S.R. LAUNCHER, ROCKET, 20-SHOT, B-8M

Ordnance used with:

S-8K0M, 80-MM, HEAT/FRAG, AIR-TO-SURFACE  
S-8KO, 80-MM, HEAT/FRAG, AIR-TO-SURFACE  
S-8ASM, 80-MM, FLECHETTE, AIR-TO-SURFACE  
S8ASM, 80-MM, FLECHETTE, AIR-TO-SURFACE



## U.S.S.R. LAUNCHER, ROCKET, 20-SHOT, B-8V20-A



Ordnance used with:

S-8K0M, 80-MM, HEAT/FRAG, AIR-TO-SURFACE

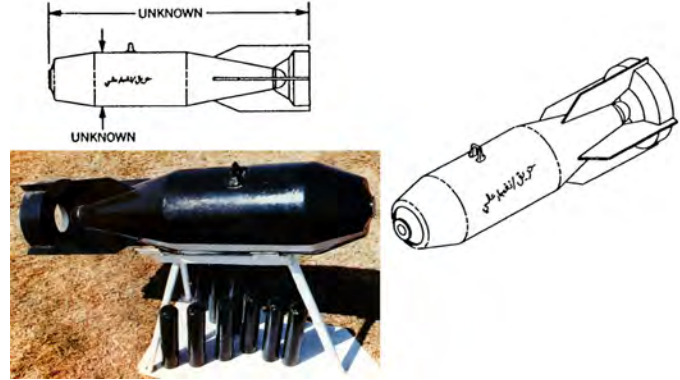
S-8KO, 80-MM, HEAT/FRAG, AIR-TO-SURFACE

S-8ASM, 80-MM, FLECHETTE, AIR-TO-SURFACE

S8ASM, 80-MM, FLECHETTE, AIR-TO-SURFACE

---

**EGYPTIAN BOMB, 100-KG, INCENDIARY (THERMITE)**



**FRENCH BOMB, 4-KG, PRACTICE, BAVARD TYPE  
F3B**

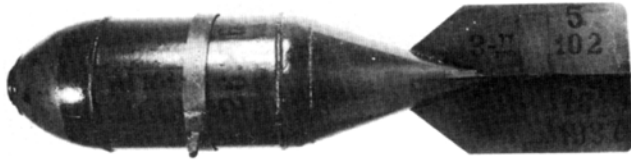


**SPANISH BOMB, 500-KG, GP, BNI-500**



---

**U.S.S.R. BOMB, CHEMICAL, KHAB-100**



Ordnance used with:  
AGM 1, BOMB, NOSE  
AGM 3, BOMB, NOSE  
AM-A, BOMB, NOSE  
AM A B/V, BOMB, NOSE  
AM B, BOMB, NOSE  
AM B B/V, BOMB, NOSE  
TM-4B, BOMB, NOSE, MT



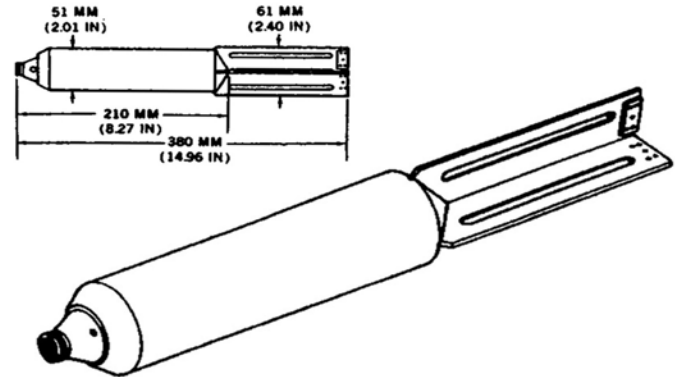
## U.S.S.R. BOMB, PARACHUTE DEPLOYMENT MECHANISM, KP-527

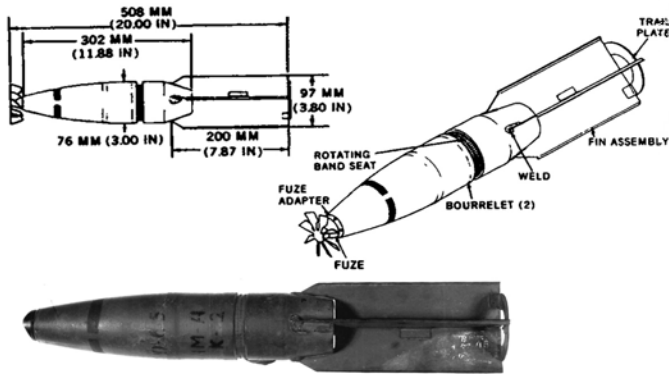
Ordnance used with:  
AV-527, NOSE, ELECTRIC



## U.S.S.R. BOMB, FRAG, AO-2.5-2

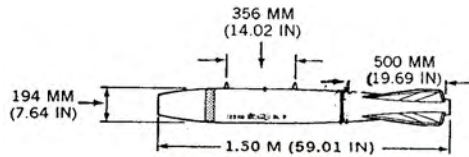
Ordnance used with:  
AGM 3, BOMB, NOSE  
AM B, BOMB, NOSE  
AM B B/V, BOMB, NOSE  
RBK-250-275, DISPENSER





## U.S.S.R. BOMB, FRAG, AO-10-6.5

Ordnance used with:  
 AGM 1, BOMB, NOSE  
 AGM 3, BOMB, NOSE  
 AM-A, BOMB, NOSE  
 AM A B/V, BOMB, NOSE  
 AM B, BOMB, NOSE  
 AM B B/V, BOMB, NOSE  
 RBK-250, CLUSTER, ADAPTER  
 N.E.W. 0.50 KG

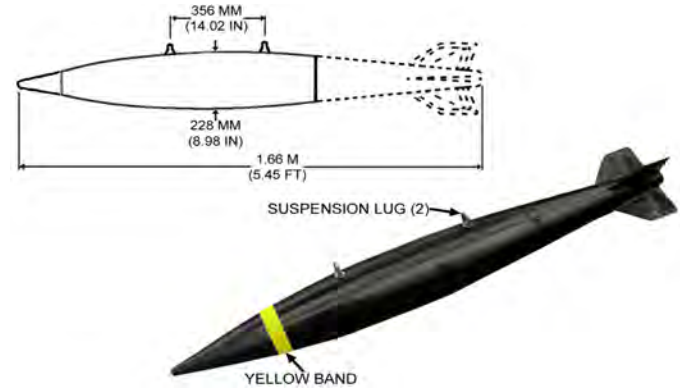


## FRENCH BOMB, 125-KG, GP, BL9

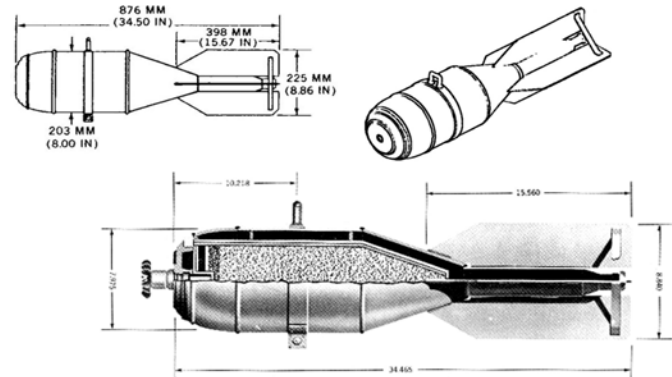


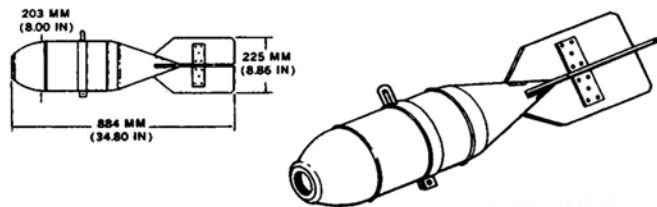
## FRENCH BOMB, 115-KG, LDGP, BL 7

Ordnance used with:  
FEU 80 BC, IMPACT, TAIL  
FEU 80 PRLF, PROXIMITY  
FEU 80 BO, NOSE, IMPACT  
M905E, TAIL, IMPACT  
FEP 80, PROXIMITY  
FEP 80 SF, PROXIMITY  
FEP 80 BL, PROXIMITY



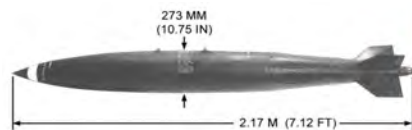
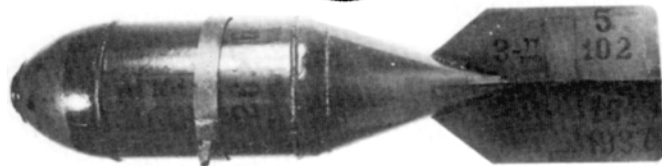
## U.S.S.R. BOMB, CHEM, KRAB-25 YAD





## U.S.S.R. BOMB, CHEMICAL, KHAB-25

Ordnance used with:  
AGDT B, BOMB, NOSE  
AGM 1, BOMB, NOSE  
AGM 3, BOMB, NOSE  
AM-A, BOMB, NOSE  
AM A B/V, BOMB, NOSE  
AM B, BOMB, NOSE  
AM B B/V, BOMB, NOSE

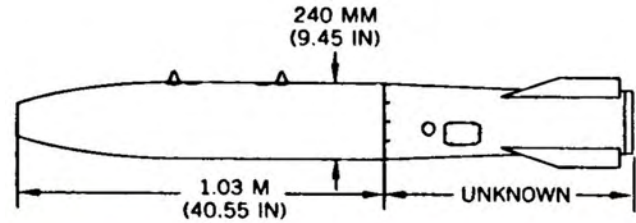


## ITALIAN BOMB, 227-KG, GP, BA 102 (TYPE 2)

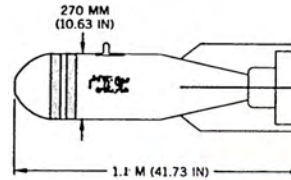


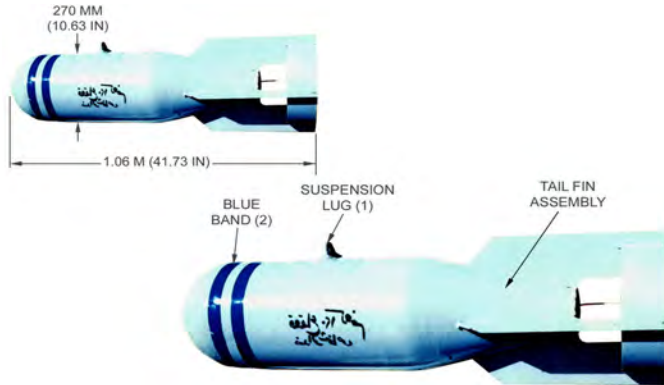
## SPANISH BOMB, FRAG, BRFF-250

Ordnance used with:  
GRL/AR, TRANSVERSE, LONG DELAY  
MU 016, PROXIMITY  
MU-5, BOMB, NOSE FUZE  
MU05, BOMB, NOSE  
MU 05, BOMB, NOSE, IMPACT  
MU 09, BOMB, NOSE  
MU 9, BOMB, NOSE



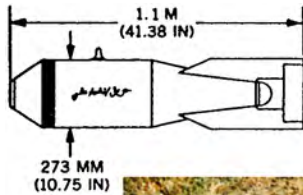
## EGYPTIAN BOMB, 100-KG, APERS, KAAKAA-120





### IRAQI BOMB, 100-KG, FRAG, KAAKAA-120

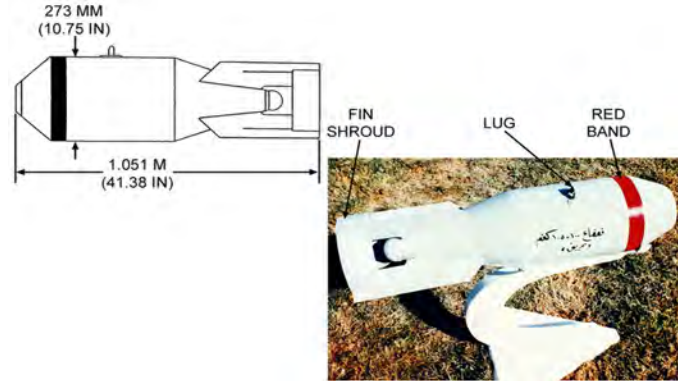
Ordnance used with:  
UNKNOWN, BOMB NOSE, TYPE UNKNOWN



### EGYPTIAN BOMB, 100-105 KG, INCENDIARY, KAAKAA-100-105



**IRAQI BOMB, 100-105 KG, INCENDIARY,  
KAAKAA-100-105**



**U.S. BOMB UNITS, GUIDED, GBU-12B/B, GBU-12C/B,  
AND GBU-12D/B**

Ordnance used with:

FMU-139/B, NOSE & TAIL, IMPACT

FMU-139A/B, NOSE & TAIL, IMPACT

FMU-26/B, BOMB FUZE, NOSE & TAIL, MULTIPURPOSE

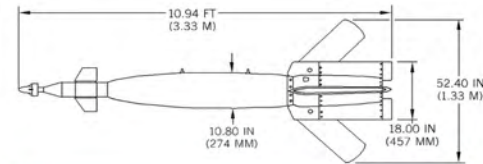
FMU-26A/B, BOMB FUZE, NOSE & TAIL, MULTIPURPOSE

FMU-26B/B, BOMB FUZE, NOSE & TAIL, MULTIPURPOSE

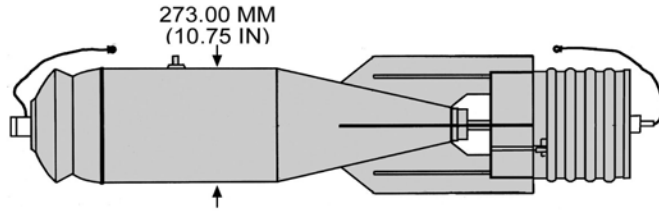
FMU-81/B, BOMB FUZE, NOSE & TAIL, IMPACT, SHORT-DELAY

M905, TAIL, IMPACT

N.E.W. 88.00 KG

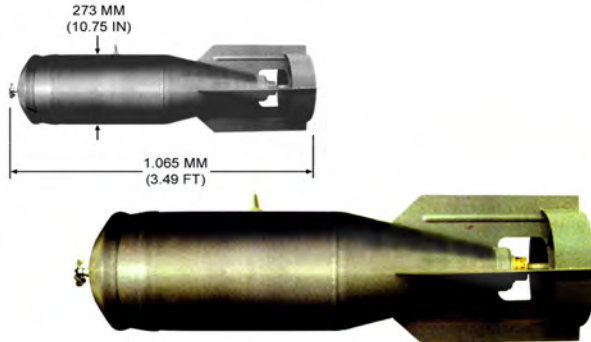


**U.S.S.R. BOMB, 100-KG, HE-FRAG, OFAB 100-120  
(RETARDED)**



---

**U.S.S.R. BOMB, FRAG, OFAB-100-120**



Ordnance used with:  
AVU-ET, NOSE/TAIL, IMPACT  
TU-100-120, PARACHUTE ASSEMBLY  
AVU, BOMB, NOSE  
JUPITER 2000, BOMB, TAIL, IMPACT/DELAY  
AMV-AE2, FUZE, BOMB  
AVU-ETM, BOMB FUZE

N.E.W. 46.00 KG

---



## U.S. BOMB UNITS, GUIDED, GBU-12/B & GBU-12A/B

Ordnance used with:

FMU-139/B, NOSE & TAIL, IMPACT

FMU-139A/B, NOSE & TAIL, IMPACT

FMU-26/B, BOMB FUZE, NOSE & TAIL, MULTIPURPOSE

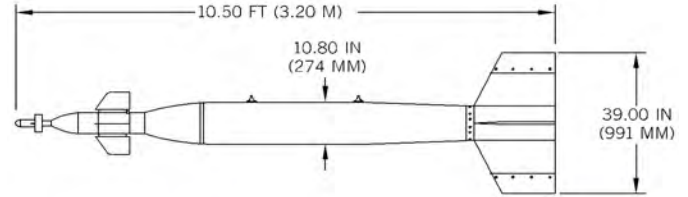
FMU-26A/B, BOMB FUZE, NOSE & TAIL, MULTIPURPOSE

FMU-26B/B, BOMB FUZE, NOSE & TAIL, MULTIPURPOSE

FMU-81/B, BOMB FUZE, NOSE & TAIL, IMPACT, SHORT-DELAY

M905, TAIL, IMPACT

N.E.W. 88.00 KG



## U.S. BOMB, 500-LB, GP (LOW DRAG), MK 82

Ordnance used with:

AN-M166, NOSE, PROXIMITY

BSU-49/B, FIN ASSEMBLY, AIR INFLATABLE RETARDER

BSU-86/B, FIN

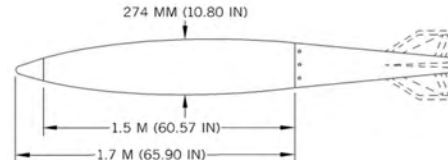
DSU-30/B, BOMB TARGET DETECTING DEVICE

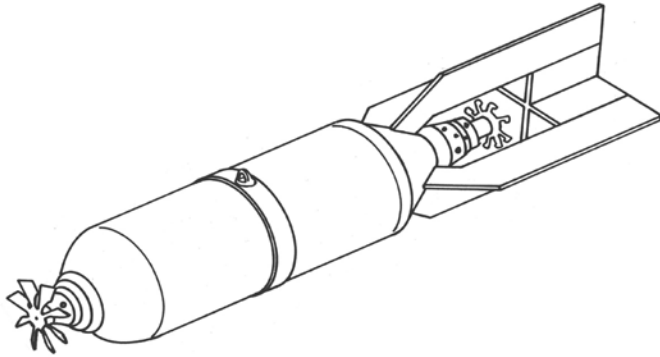
DSU-33A(D-2)/B, SENSING ELEMENT, DUMMY

DSU-33A/B, SENSING ELEMENT, PROXIMITY

FMU-112/B, BOMB FUZE, NOSE & TAIL

N.E.W. 87.10 KG





**U.S.S.R. BOMB, PRACTICE, P-100**

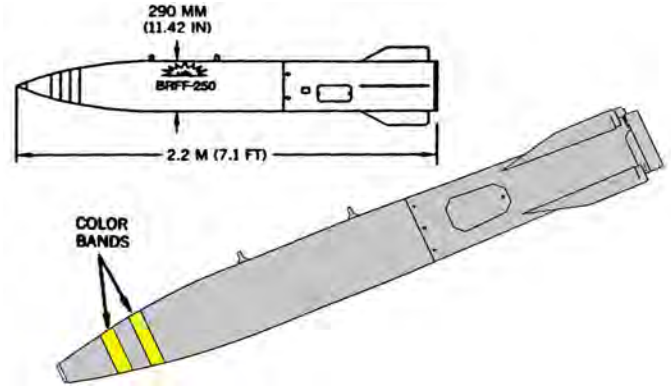
Ordnance used with:  
AM-A, BOMB, NOSE  
AM B, BOMB, NOSE  
AM B B/V, BOMB, NOSE  
TM-24B, BOMB, NOSE OR TAIL, MT



**IRAQI BOMB, 250-KG, CHEMICAL, MODEL UNKNOWN**

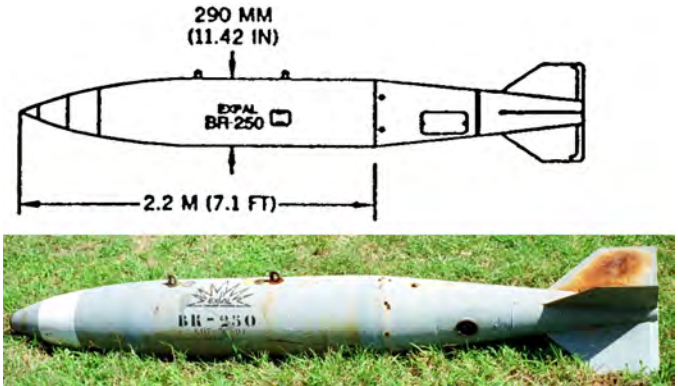
## SPANISH BOMB, 250-KG, FRAG, SUPER RETARDED, BRFF-250

Ordnance used with:  
INFARR, TAIL, DELAY  
MU-017, NOSE, TIME, SHORT DELAY  
EP-516, BOMB, NOSE, PROXIMITY  
EROS, NOSE, IMPACT



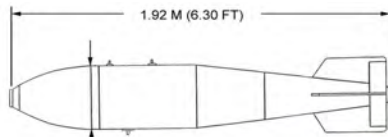
## SPANISH BOMB, GP, MODEL BR-250

Ordnance used with:  
EPB 1A, BOMB, NOSE, PROXIMITY  
GRC-AR, BOMB, TAIL, LONG DELAY ANTIDISTURBANCE  
MU 08, BOMB, TAIL  
MU-8, BOMB, TAIL FUZE  
GRC, LONG DELAY  
MU-09, BOMB, NOSE FUZE  
MU-9, BOMB, NOSE FUZE





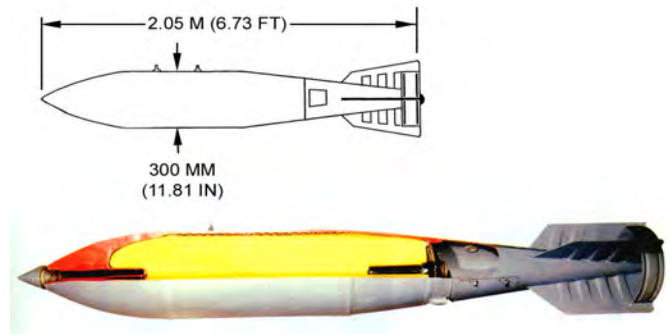
**IRAQI BOMB, GP/FRAGMENTATION, MODEL UNKNOWN**



**IRAQI BOMB, 250-KG, GENERAL PURPOSE, FARIS 250**



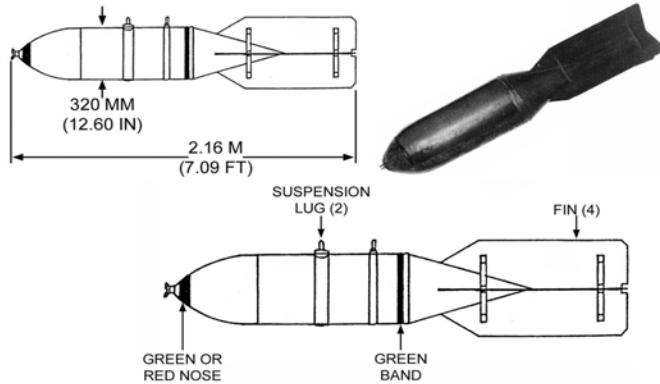
## U.S.S.R. BOMB, HE-FRAG, OFAB-250T



N.E.W. 95.70 KG

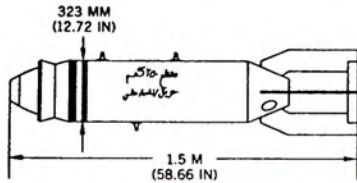
## CHILEAN BOMB, FRAG, CFB 27





## SOVIET BOMB, CHEMICAL, KHAB-200 R-5 AND R-10

Ordnance used with:  
 AGDT B, BOMB, NOSE  
 AGM 1, BOMB, NOSE  
 AGM 3, BOMB, NOSE  
 AM-A, BOMB, NOSE  
 AM A B/V, BOMB, NOSE  
 AM B, BOMB, NOSE  
 AM B B/V, BOMB, NOSE  
 N.E.W. 1.50 LB



## EGYPTIAN BOMB, 250-KG, HE-INCENDIARY, KAAKAA-250

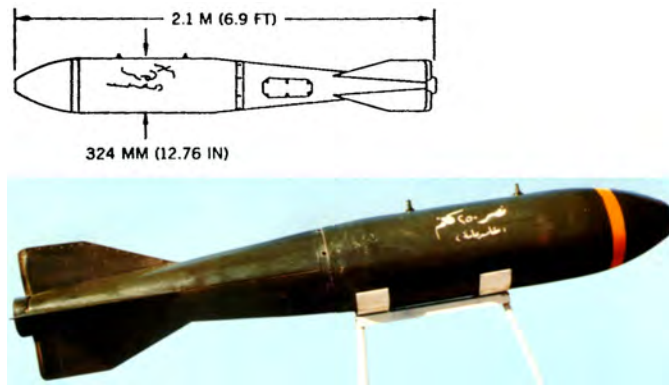


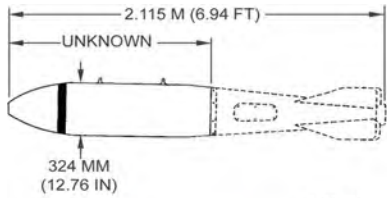
N.E.W. 15.00 KG

**IRAQI BOMB, 250-KG, HE AND INCENDIARY,  
KAAKAA-250**

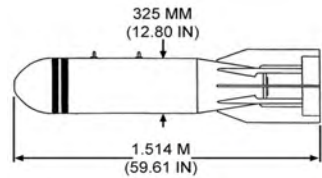
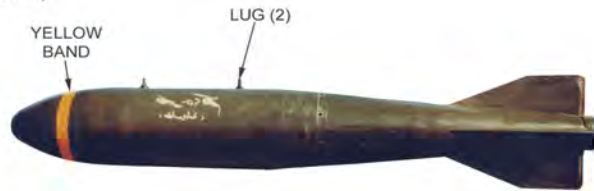


**EGYPTIAN BOMB, 250-KG, GP, NASR-250**





**IRAQI BOMB, 250-KG, GP, NASR-250**



**IRAQI BOMB, 250-KG, APERS, KAAKAA-250**

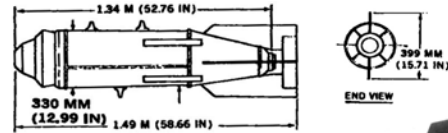




## U.S.S.R. BOMB, 250-KG, HE, FAB-250 M54

Ordnance used with:  
APUV, NOSE AND TAIL  
APUV-1, NOSE AND TAIL  
APUVM, BOMB, NOSE AND TAIL  
AV 1, NOSE AND TAIL  
AV 1 MODIFIED, BOMB, NOSE AND TAIL  
AV 1D/U, BOMB, NOSE AND TAIL  
AVDM, TAIL

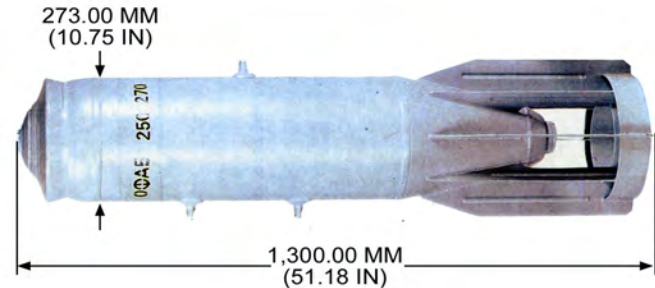
N.E.W. 96.40 KG



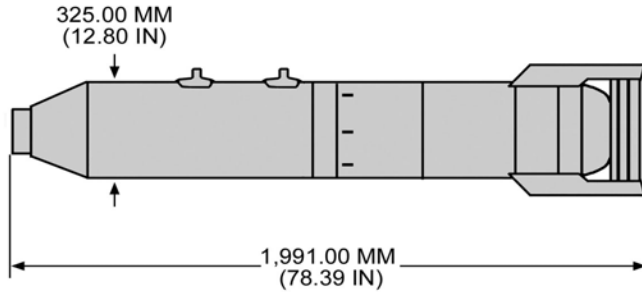
## U.S.S.R. BOMB, FRAG, 250-KG, OFAB-250-270

Ordnance used with:  
AM B, BOMB, NOSE  
AM B B/V, BOMB, NOSE  
APUV-1, NOSE AND TAIL  
VDV, NOSE AND TAIL  
VDV-1, NOSE AND TAIL  
VDV 2, BOMB, NOSE AND TAIL  
AVU, BOMB, NOSE

N.E.W. 94.00 KG

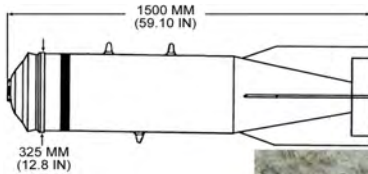


**U.S.S.R. BOMB, HE-FRAG, 250-KG, OFAB-250SHL  
(RETARDED)**



N.E.W. 92.00 KG

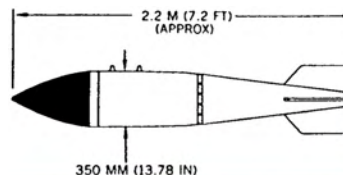
**U.S.S.R. BOMB, INCENDIARY, ZAB 250-200**

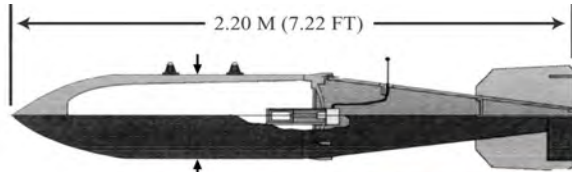


**U.S.S.R. BOMB, HE-FRAG, 250-KG, OFAB-250SH**



**IRAQI BOMB, 500-KG, PENETRATION, NASR-500P1**



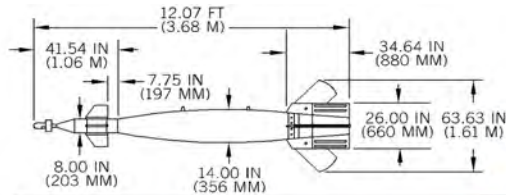


350 MM  
(13.78 IN)



**U.S.S.R. BOMB, 478-KG, TARGET PENETRATION, BETAB-500**

N.E.W. 75.80 KG



**U.S. BOMB UNITS, GUIDED, GBU-16/B, GBU-16A/B, AND GBU-16B/B**

Ordnance used with:

FMU-124A/B, NOSE & TAIL, IMPACT

FMU-139/B, NOSE & TAIL, IMPACT

FMU-139A/B, NOSE & TAIL, IMPACT

FMU-26/B, BOMB FUZE, NOSE & TAIL, MULTIPURPOSE

FMU-26A/B, BOMB FUZE, NOSE & TAIL, MULTIPURPOSE

FMU-26B/B, BOMB FUZE, NOSE & TAIL, MULTIPURPOSE

FMU-81/B, BOMB FUZE, NOSE & TAIL, IMPACT, SHORT-DELAY

N.E.W. 203.00 KG

## U.S. BOMB, 1000-LB, GP (LOW DRAG), MK 83

Ordnance used with:

BSU-85/B, BOMB FIN ASSEMBLY, AIR INFLATABLE RETARDER

DSU-30/B, BOMB TARGET DETECTING DEVICE

DSU-33A(D-2)/B, SENSING ELEMENT, DUMMY

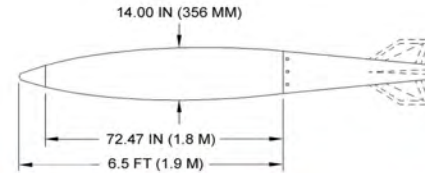
DSU-33A/B, SENSING ELEMENT, PROXIMITY

FMU-112/B, BOMB FUZE, NOSE & TAIL

FMU-113/B, PROXIMITY

FMU-124A/B, NOSE & TAIL, IMPACT

N.E.W. 202.00 KG

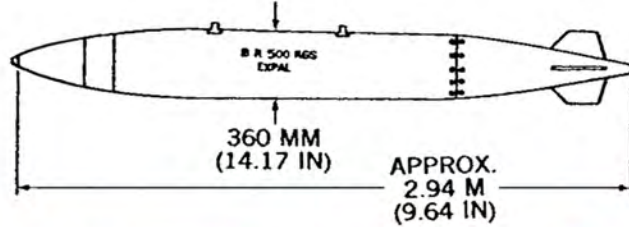


## SPANISH BOMB, 224-KG, CHEMICAL, BR-500

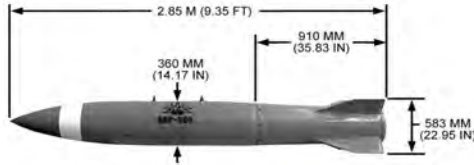
N.E.W. 5.00 KG



## SPANISH BOMB, 500-KG, AIRCRAFT- B.R. (LOW DRAG), (BR 500)

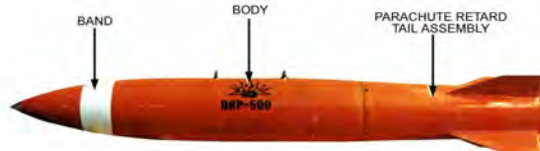


Ordnance used with:  
EPB 1A, BOMB, NOSE, PROXIMITY  
GRL/AR, TRANSVERSE, LONG DELAY  
GRL, BOMB FUZE LONG DELAY ANTI-REMOVAL



## SPANISH BOMB, 500-KG, GP, RETARDED, BRP-500

Ordnance used with:  
GAMA-R, BOMB, TRANSVERSE, IMPACT, ALL-WAY-ACTING  
GAMMA, BOMB, TRANSVERSE, IMPACT (ALL WAY ACTION)  
KAPPA 3, BOMB, NOSE, ALL WAY  
KAPPA III, BOMB, NOSE, ALL WAY  
KEMA III, NOSE, ELECTRIC CLOCKWORK  
GRL/AR, TRANSVERSE, LONG DELAY  
ECOS 08, TAIL, IMPACT (ALL-WAY ACTION)



NOTE: BODY AND BAND COLOR MAY VARY.

N.E.W. 210.00 KG

## U.S. BOMB UNIT, GUIDED, GBU-15(V)2/B

Ordnance used with:

BLU-109/B, PENETRATOR

FMU-143/B, BOMB FUZE, NOSE & TAIL, IMPACT

FMU-143A/B, BOMB FUZE, NOSE & TAIL, IMPACT

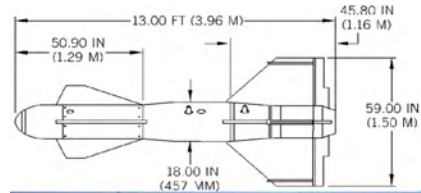
FMU-143B/B, NOSE & TAIL, IMPACT

FMU-143D/B, BOMB FUZE, NOSE & TAIL, IMPACT

FMU-143E/B, NOSE & TAIL, IMPACT

FMU-143F/B, NOSE & TAIL, IMPACT

N.E.W. 244.00 KG



## U.S. BOMB UNIT, GUIDED, GBU-15(V)32/B

Ordnance used with:

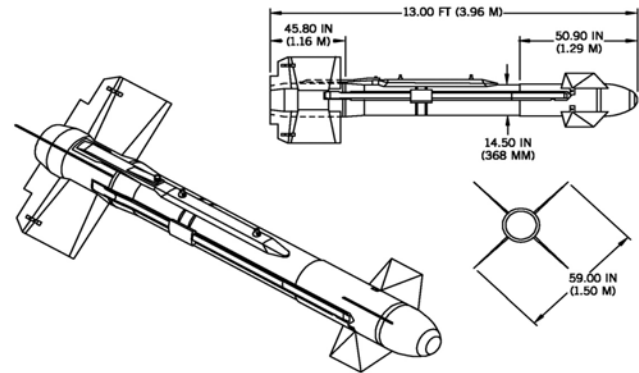
BLU-109/B, PENETRATOR

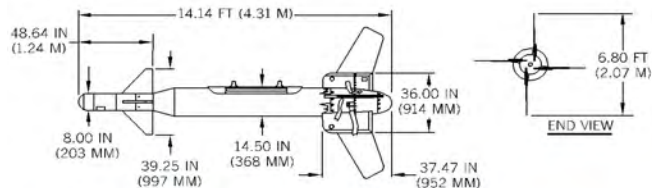
FMU-143/B, BOMB FUZE, NOSE & TAIL, IMPACT

FMU-143A/B, BOMB FUZE, NOSE & TAIL, IMPACT

FMU-143B/B, NOSE & TAIL, IMPACT

N.E.W. 244.00 KG





## U.S. BOMB UNIT, GUIDED, GBU-24A/B

Ordnance used with:

BLU-109/B, PENETRATOR

FMU-143/B, BOMB FUZE, NOSE & TAIL, IMPACT

FMU-143A/B, BOMB FUZE, NOSE & TAIL, IMPACT

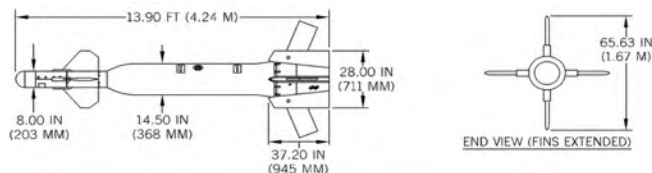
FMU-143B/B, NOSE & TAIL, IMPACT

FMU-143D/B, BOMB FUZE, NOSE & TAIL, IMPACT

FMU-143E/B, NOSE & TAIL, IMPACT

FMU-143F/B, NOSE & TAIL, IMPACT

N.E.W. 243.00 KG



## U.S. BOMB UNIT, GUIDED, GBU-27/B

Ordnance used with:

BLU-109/B, PENETRATOR

FMU-124A/B, NOSE & TAIL, IMPACT

FMU-139/B, NOSE & TAIL, IMPACT

FMU-139A/B, NOSE & TAIL, IMPACT

FMU-143/B, BOMB FUZE, NOSE & TAIL, IMPACT

FMU-143B/B, NOSE & TAIL, IMPACT

FMU-81/B, BOMB FUZE, NOSE & TAIL, IMPACT, SHORT-DELAY

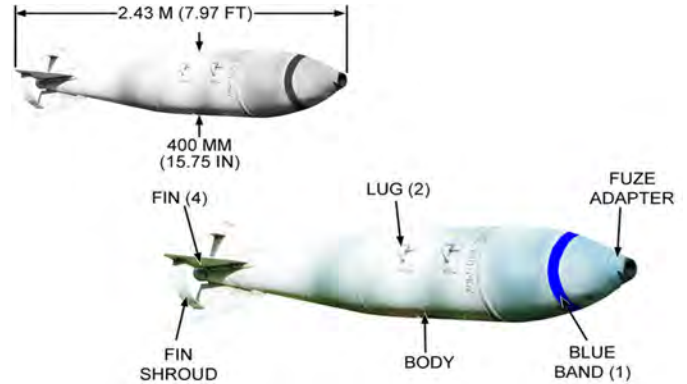
N.E.W. 243.00 KG



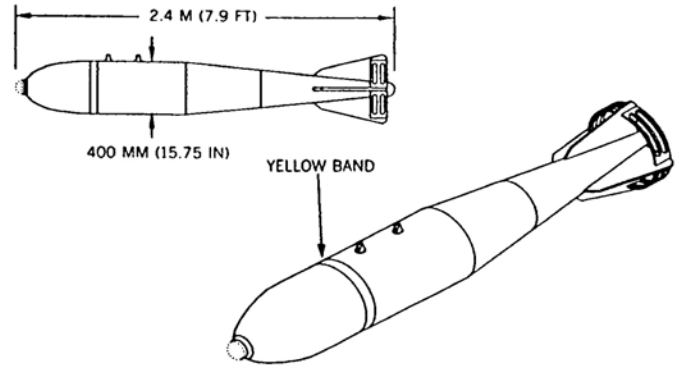
## U.S.S.R. BOMB, 500-KG, GP, FAB-500, M62

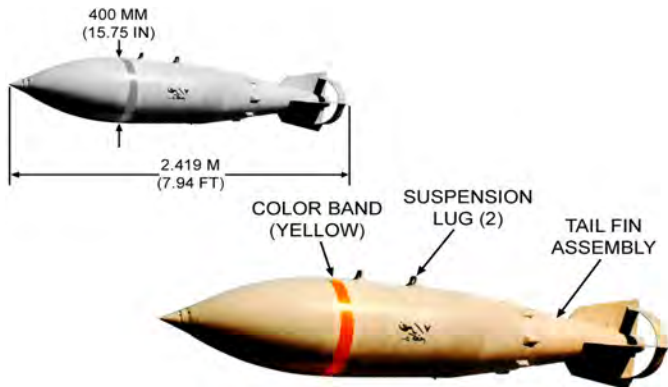
Ordnance used with:  
VDV, NOSE AND TAIL  
AVU, BOMB, NOSE

N.E.W. 213.00 KG



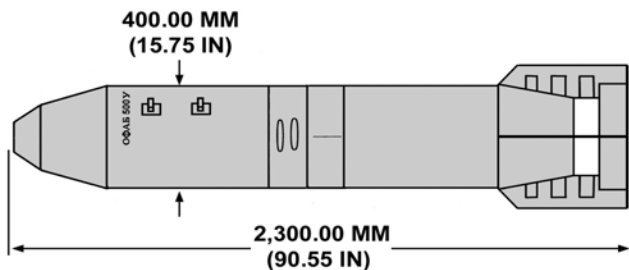
## IRAQI BOMB, 500-KG, GP, BADR-28





### IRAQI BOMB, 500-KG, GP, NASR-7

Ordnance used with:  
UNKNOWN, BOMB NOSE, TYPE UNKNOWN  
UNKNOWN, FIN ASSEMBLY, CONICAL, W/NASR-7

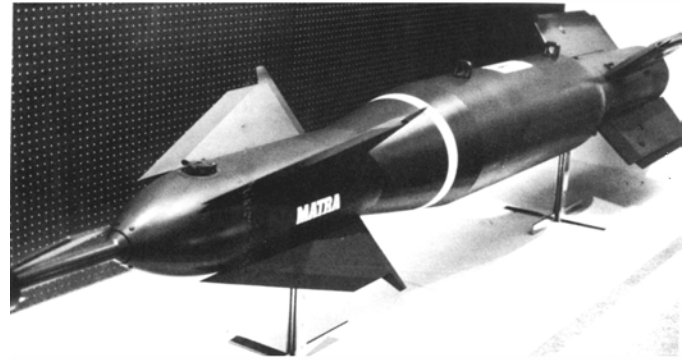


### U.S.S.R. BOMB, HE-FRAG, 500-KG, OFAB500U (RETARDED)

N.E.W. 159.00 KG

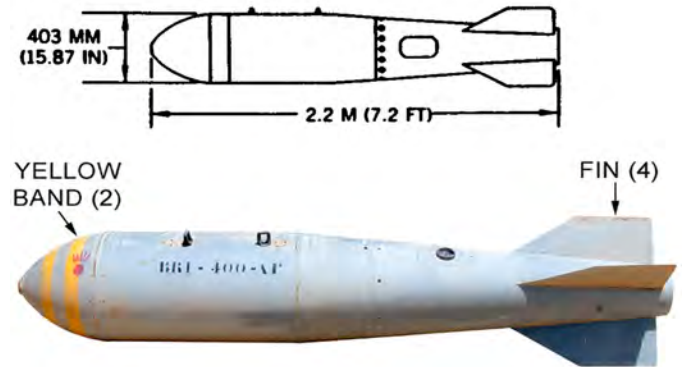
## FRENCH BOMB, 400-KG, BGL 400, LASER GUIDED, MATRA

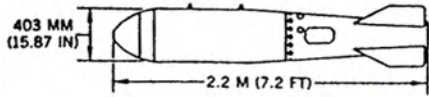
Ordnance used with:  
FM 80 BC, TAIL, IMPACT, ELECTRONIC  
FM 80 BO, NOSE, IMPACT, ELECTRONIC  
UNKNOWN, FINS, LASER GUIDED BOMBS



## SPANISH BOMB, 400-KG, GP, BRI-400

Ordnance used with:  
MU-5, BOMB, NOSE FUZE  
MU05, BOMB, NOSE  
VTB 1A, BOMB, NOSE, PROXIMITY  
GRC-AR, BOMB, TAIL, LONG DELAY ANTIDISTURBANCE  
MU 05, BOMB, NOSE, IMPACT  
MF 2000, BOMB, TAIL, IMPACT  
MU 09, BOMB, NOSE

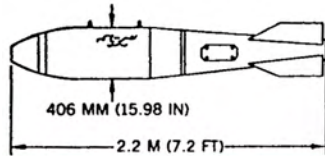




## SPANISH BOMB, 400KG, HE, PARACHUTE RETARDED, BRIP-400



Ordnance used with:  
INFARR, TAIL, DELAY  
KAPPA 3, BOMB, NOSE, ALL WAY  
KAPPA III, BOMB, NOSE, ALL WAY  
MU-017, NOSE, TIME, SHORT DELAY  
EP-516, BOMB, NOSE, PROXIMITY  
GRL/AR, TRANSVERSE, LONG DELAY  
GRL, BOMB FUZE LONG DELAY ANTI-REMOVAL

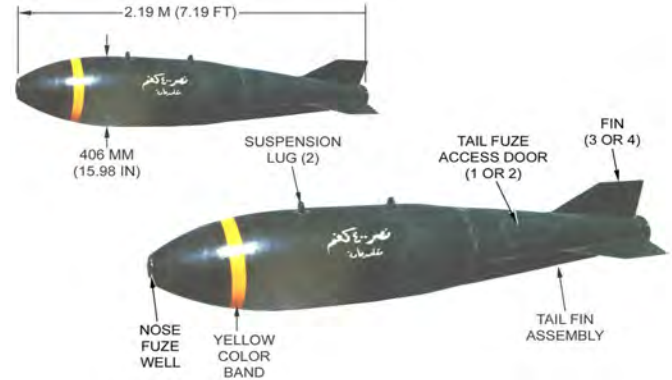


## EGYPTIAN BOMB, 400-KG, GP, NASR-400



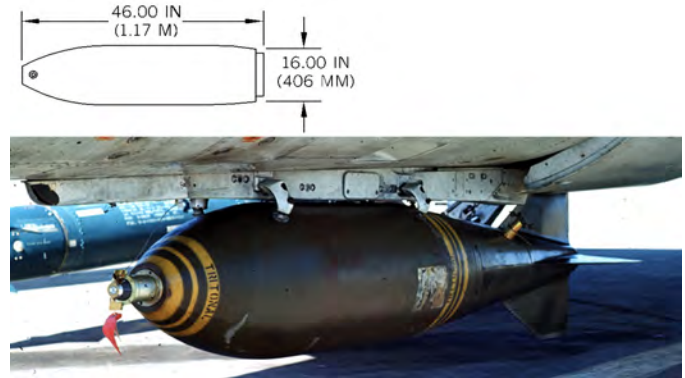
## IRAQI BOMB, 400-KG, GP, NASR-400

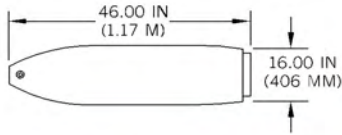
Ordnance used with:  
UNKNOWN, BOMB NOSE, TYPE UNKNOWN  
UNKNOWN, FIN ASSEMBLY, CONICAL, 3-FIN  
UNKNOWN, FIN ASSEMBLY, CONICAL, 4-FIN



## U.S. BOMB, 750-LB, GP, M117

Ordnance used with:  
AN-M166, NOSE, PROXIMITY  
BSU-85/B, BOMB FIN ASSEMBLY, AIR INFLATABLE RETARDER  
BSU-93/B, FIN ASSEMBLY, AIR INFLATABLE RETARDER  
DSU-30/B, BOMB TARGET DETECTING DEVICE  
DSU-33A(D-2)/B, SENSING ELEMENT, DUMMY  
DSU-33A/B, SENSING ELEMENT, PROXIMITY  
FMU-112/B, BOMB FUZE, NOSE & TAIL  
N.E.W. 175.00 KG



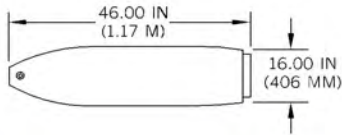


## U.S. BOMB, 750-LB, GP, M117A1

Ordnance used with:

AN-M166, NOSE, PROXIMITY  
 BSU-85/B, BOMB FIN ASSEMBLY, AIR INFLATABLE RETARDER  
 BSU-93/B, FIN ASSEMBLY, AIR INFLATABLE RETARDER  
 DSU-30/B, BOMB TARGET DETECTING DEVICE  
 DSU-33A(D-2)/B, SENSING ELEMENT, DUMMY  
 DSU-33A/B, SENSING ELEMENT, PROXIMITY  
 FMU-112/B, BOMB FUZE, NOSE & TAIL

N.E.W. 176.00 KG



## U.S. BOMBS, 750-LB, GP, M117A1E1, M117A1E2, M117A1E3, M117A2 AND M117A3

Ordnance used with:

AN-M166, NOSE, PROXIMITY  
 BSU-85/B, BOMB FIN ASSEMBLY, AIR INFLATABLE RETARDER  
 BSU-93/B, FIN ASSEMBLY, AIR INFLATABLE RETARDER  
 DSU-30/B, BOMB TARGET DETECTING DEVICE  
 DSU-33A(D-2)/B, SENSING ELEMENT, DUMMY  
 DSU-33A/B, SENSING ELEMENT, PROXIMITY  
 FMU-112/B, BOMB FUZE, NOSE & TAIL

N.E.W. 175.00 KG

## U.K. BOMB, 1000-LB, HE, MC, MK 13

Ordnance used with:

NO. 952 MK 1, BOMB, PROXIMITY

NO. 107 MK 1, TAIL UNIT, 1000 LB MC BOMB

NO. 107 MK 2, TAIL UNIT, 1000 LB MC BOMB

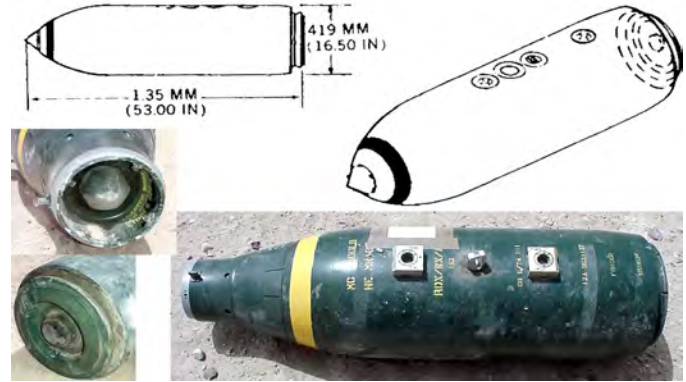
NO. 107 MK 3, TAIL UNIT, 1000 LB MC BOMB

NO. 107 MK 4, TAIL UNIT, 1000 LB MC BOMB

NO. 107 MK 5, TAIL UNIT, 1000 LB MC BOMB

NO. 114 MK 2, TAIL UNIT, 1000 LB MC BOMB

N.E.W. 186.00 KG



## U.K. BOMB, 1000-LB, HE, MC, MK 18

Ordnance used with:

NO. 952 MK 1, BOMB, PROXIMITY

NO. 107 MK 1, TAIL UNIT, 1000 LB MC BOMB

NO. 107 MK 2, TAIL UNIT, 1000 LB MC BOMB

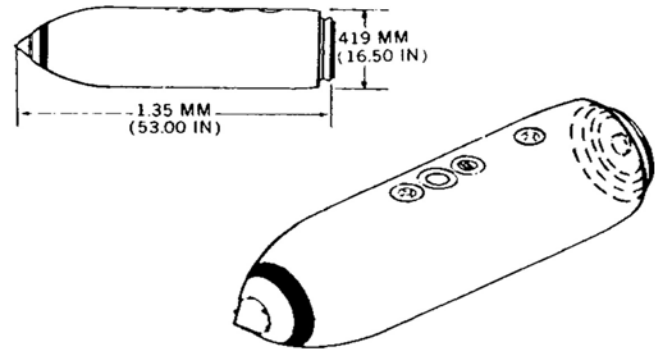
NO. 107 MK 3, TAIL UNIT, 1000 LB MC BOMB

NO. 107 MK 4, TAIL UNIT, 1000 LB MC BOMB

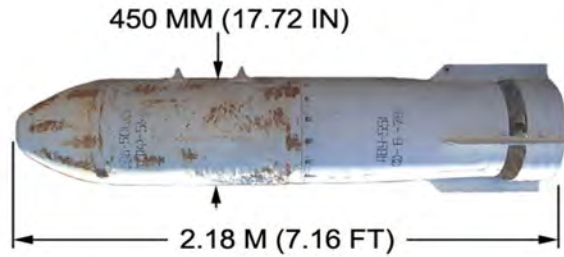
NO. 107 MK 5, TAIL UNIT, 1000 LB MC BOMB

NO. 114 MK 4, TAIL UNIT, 1000 LB MC BOMB

N.E.W. 186.00 KG



## U.S.S.R. BOMB, 500-KG, GP, FAB-500 SHN

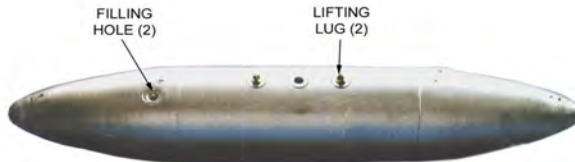


Ordnance used with:  
UP-581, BOMB, FUZE  
AVU-551, BOMB FUZE, TAIL



## SPANISH BOMB, INCENDIARY, BIN-200

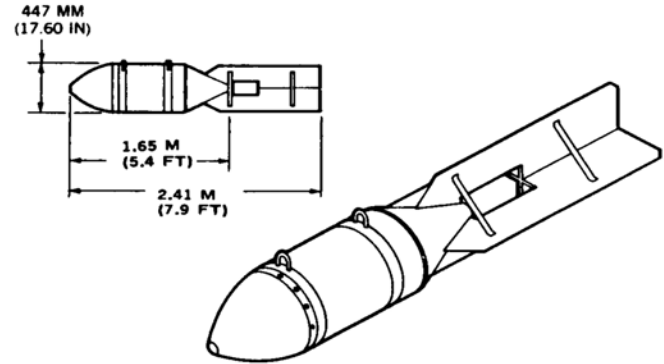
Ordnance used with:  
EMBI, BOMB, NOSE/TAIL, IMPACT



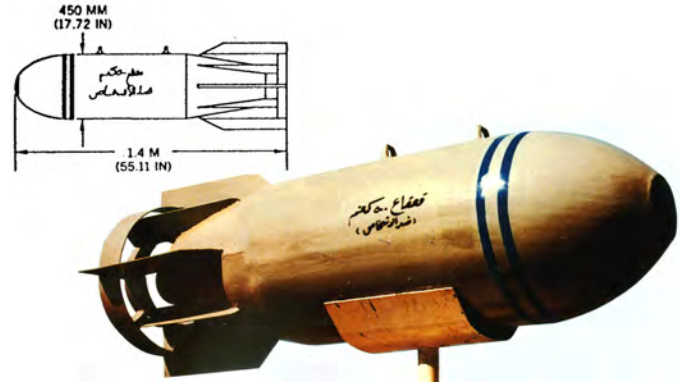


## U.S.S.R. BOMB, 1100-LB, GP, WELDED, FAB-500

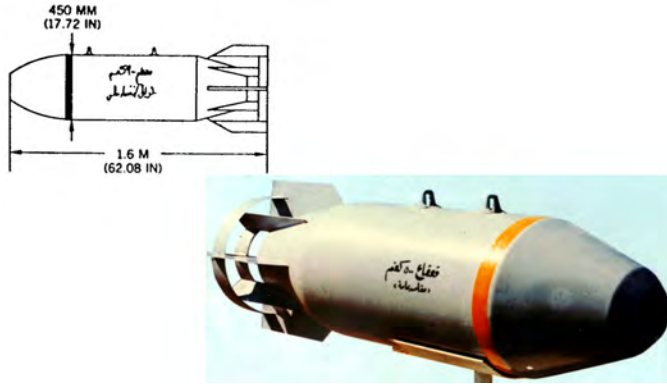
Ordnance used with:  
AGP, BOMB, NOSE  
APUV, NOSE AND TAIL  
APUV-1, NOSE AND TAIL  
APUVM, BOMB, NOSE AND TAIL  
AVU-E, NOSE AND TAIL  
VDV, NOSE AND TAIL  
AV 2 D/U, BOMB FUZE, NOSE AND TAIL



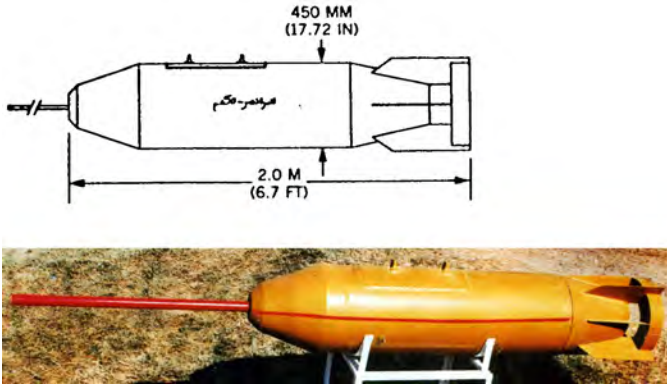
## EGYPTIAN BOMB, 500-KG, APERS, KAAKAA-500



**EGYPTIAN BOMB, 500-KG, GP, KAAKAA-500**



**EGYPTIAN BOMB, FUEL-AIR (FAE)**

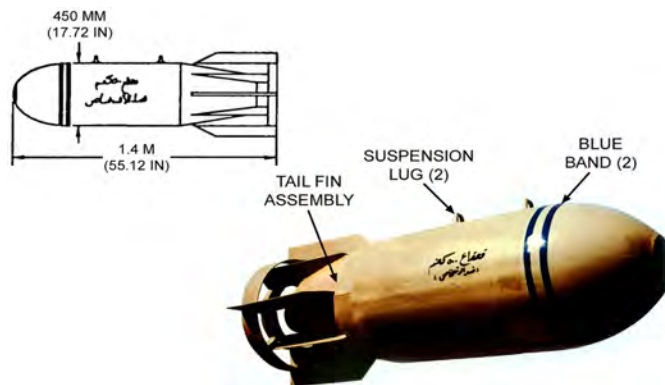


**IRAQI BOMB, 420-KG, CHEMICAL, KAAKAA-500**

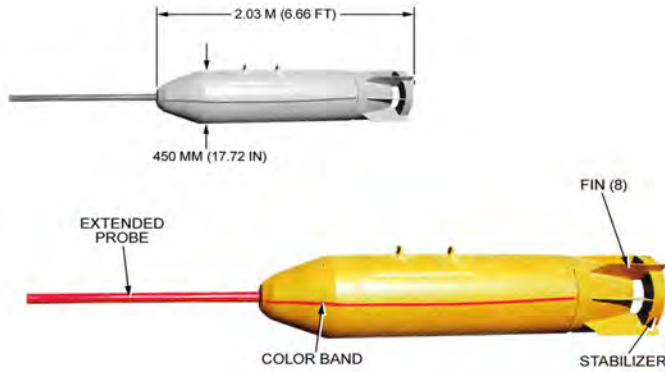


**IRAQI BOMB, 500-KG, FRAG, KAAKAA-500**

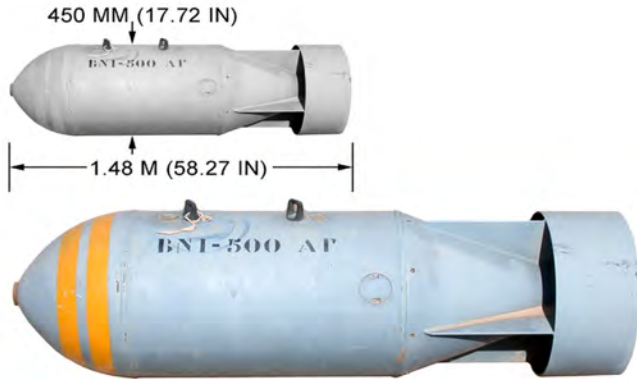
Ordnance used with:  
UNKNOWN, BOMB NOSE, TYPE UNKNOWN



**IRAQI BOMB, GP, FUEL AIR EXPLOSIVE (FAE),  
MODEL UNKNOWN**

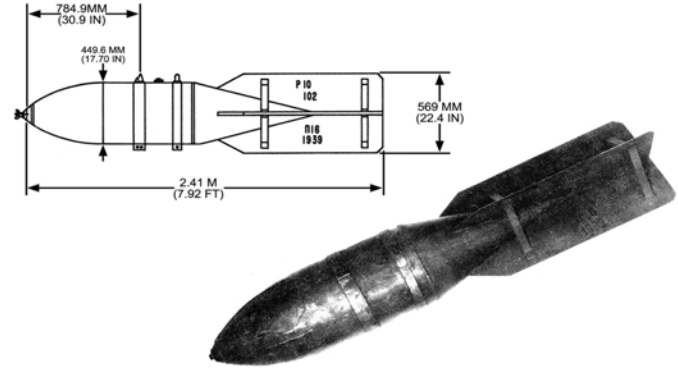


**SPANISH BOMB, 500-KG, AP, BNI-500**

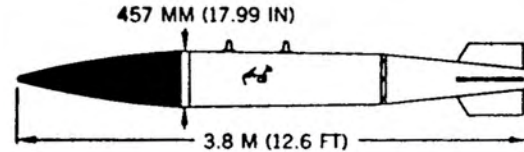


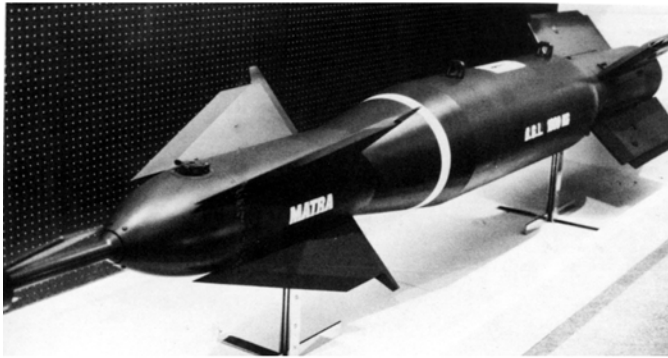
## U.S.S.R. BOMB, CHEMICAL, KHAB-500

Ordnance used with:  
AGM 1, BOMB, NOSE  
AGM 3, BOMB, NOSE  
AM-A, BOMB, NOSE  
AM A B/V, BOMB, NOSE  
AM B, BOMB, NOSE  
AM B B/V, BOMB, NOSE  
TM-24A, BOMB, NOSE OR TAIL  
N.E.W. 1.40 KG



## EGYPTIAN BOMB, 1000-KG, PENETRATOR, GP, NASR-1000P

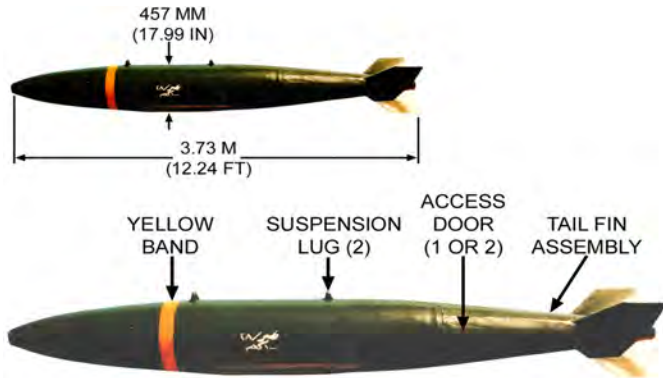




## FRENCH BOMB, 1000-KG, LASER-GUIDED, MATRA

Ordnance used with:  
FM 80 BC, TAIL, IMPACT, ELECTRONIC  
FM 80 BO, NOSE, IMPACT, ELECTRONIC

N.E.W. 250.00 KG



## IRAQI BOMB, 880-KG, GP, NASR-28

Ordnance used with:  
UNKNOWN, FIN ASSEMBLY, CONICAL  
UNKNOWN, BOMB NOSE, TYPE UNKNOWN

## U.S. BOMB UNIT, GUIDED, GBU-24/B

Ordnance used with:

FMU-139/B, NOSE & TAIL, IMPACT

FMU-139A/B, NOSE & TAIL, IMPACT

FMU-143/B, BOMB FUZE, NOSE & TAIL, IMPACT

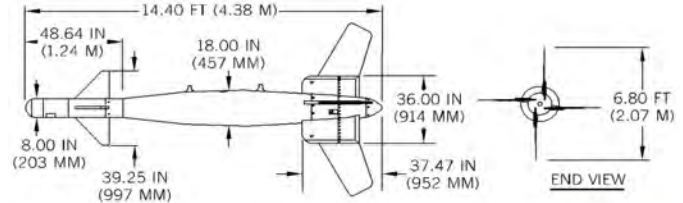
FMU-143A/B, BOMB FUZE, NOSE & TAIL, IMPACT

FMU-143B/B, NOSE & TAIL, IMPACT

FMU-143D/B, BOMB FUZE, NOSE & TAIL, IMPACT

FMU-143E/B, NOSE & TAIL, IMPACT

N.E.W. 430.00 KG



## U.S. BOMB UNITS, GUIDED, GBU-10/B & GBU-10A/B

Ordnance used with:

FMU-139/B, NOSE & TAIL, IMPACT

FMU-139A/B, NOSE & TAIL, IMPACT

FMU-26/B, BOMB FUZE, NOSE & TAIL, MULTIPURPOSE

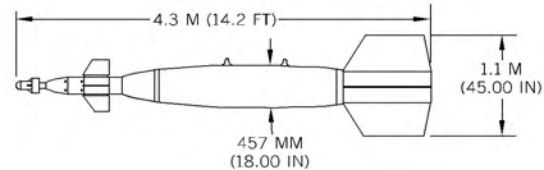
FMU-26A/B, BOMB FUZE, NOSE & TAIL, MULTIPURPOSE

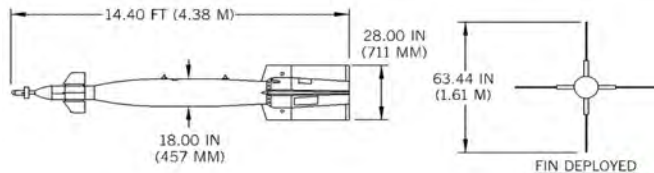
FMU-26B/B, BOMB FUZE, NOSE & TAIL, MULTIPURPOSE

FMU-81/B, BOMB FUZE, NOSE & TAIL, IMPACT, SHORT-DELAY

M905, TAIL, IMPACT

N.E.W. 430.00 KG





GBU-10C/B, -10D/B, AND -10E/B

## U.S. BOMB UNITS, GUIDED, GBU-10C/B, D/B, AND E/B

Ordnance used with:

FMU-139/B, NOSE & TAIL, IMPACT

FMU-139A/B, NOSE & TAIL, IMPACT

FMU-26B/B, BOMB FUZE, NOSE & TAIL, MULTIPURPOSE

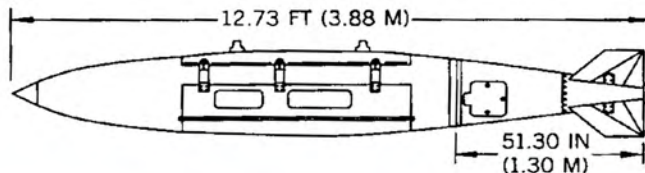
FMU-81/B, BOMB FUZE, NOSE & TAIL, IMPACT, SHORT-DELAY

M905, TAIL, IMPACT

MK 344 MOD 0, BOMB FUZE, TAIL, ELECTRIC

MK 344 MOD 1, BOMB FUZE, TAIL, ELECTRIC

N.E.W. 430.00 KG



## U.S. BOMB UNITS, GUIDED, GBU-31(V)1/B AND GBU-31(V)2/B (JDAM)

Ordnance used with:

DSU-33A/B, SENSING ELEMENT, PROXIMITY

FMU-139A/B, NOSE & TAIL, IMPACT

DSU-33B/B, SENSING ELEMENT, PROXIMITY

FMU-139B/B, BOMB, NOSE/TAIL

MK 84, 2000-LB, GP

KMU-556/B, GUIDANCE SET

N.E.W. 945.00 LB

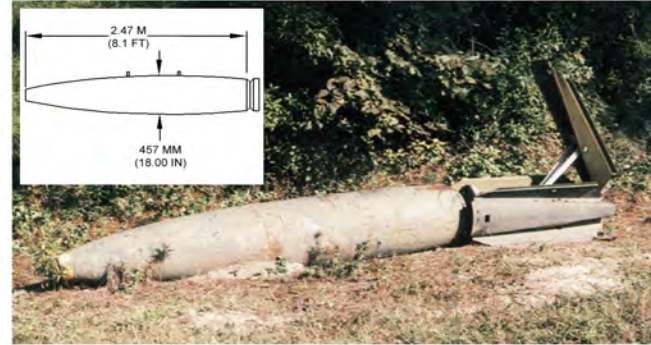


## U.S. BOMB, 2000-LB, GP (LOW DRAG), MK 84

Ordnance used with:

AN-M166, NOSE, PROXIMITY  
BSU-50/B, FIN ASSEMBLY, AIR INFLATABLE RETARDER  
DSU-30/B, BOMB TARGET DETECTING DEVICE  
DSU-33A(D-2)/B, SENSING ELEMENT, DUMMY  
DSU-33A/B, SENSING ELEMENT, PROXIMITY  
FMU-112/B, BOMB FUZE, NOSE & TAIL  
FMU-113/B, PROXIMITY

N.E.W. 429.00 KG

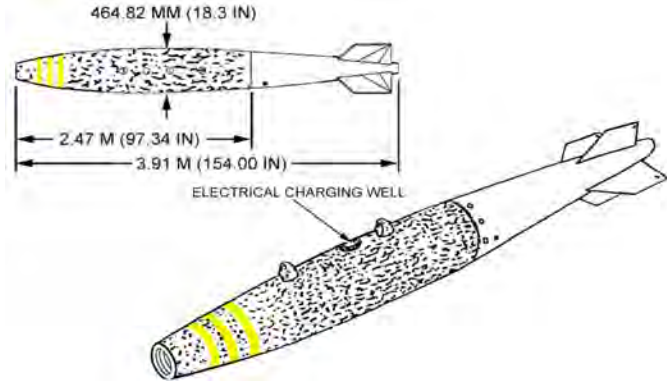


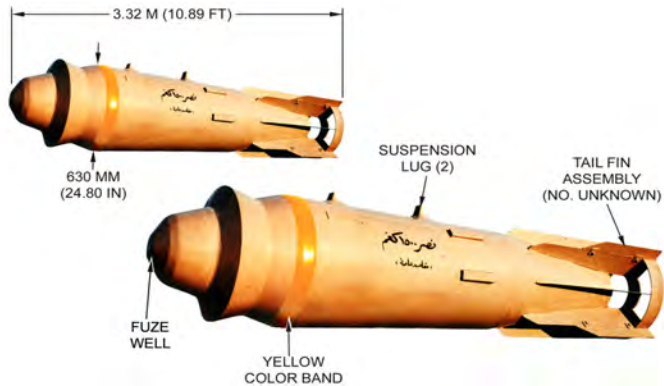
## U.S. BOMB, 2000-LB, GP, BLU-117A/B

Ordnance used with:

FMU-139/B, NOSE & TAIL, IMPACT  
FMU-139A/B, NOSE & TAIL, IMPACT  
GBU-10/B, BOMB UNIT, GUIDED  
GBU-10A/B, BOMB UNIT, GUIDED  
GBU-10C/B, BOMB UNIT, GUIDED  
GBU-10D/B, BOMB UNIT, GUIDED  
GBU-10E/B, BOMB UNIT, GUIDED

N.E.W. 901.00 LB

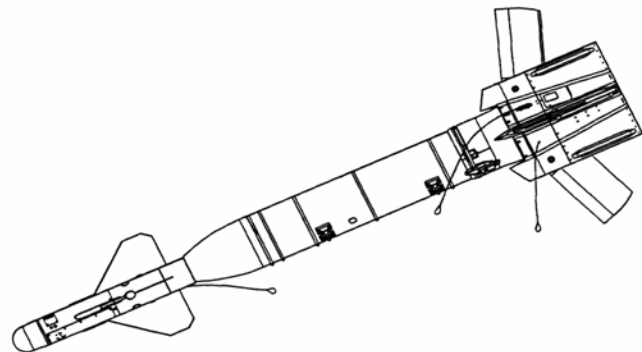




## IRAQI BOMB, 1500-KG, GP, NASR-1500

Ordnance used with:  
UNKNOWN, BOMB NOSE, TYPE UNKNOWN

N.E.W. 658.00 KG



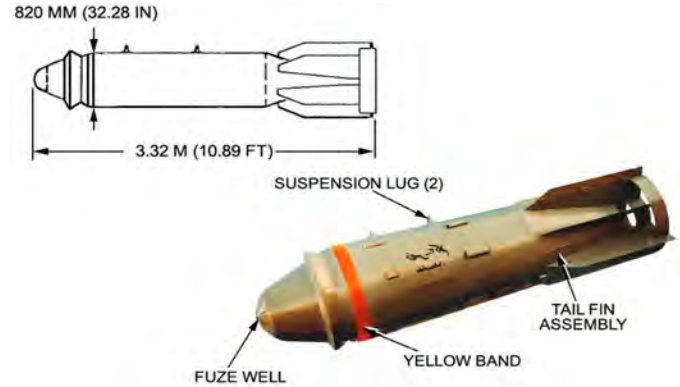
## U.S. BOMB UNIT, GUIDED, EHTGB, GBU-27A/B

Ordnance used with:  
BLU-109/B, PENETRATOR  
BLU-109A/B, PENETRATOR  
WGU-39A/B, GUIDANCE CONTROL UNIT  
BSU-88A/B, AIRFOIL GROUP

N.E.W. 245.00 KG

## IRAQI BOMB, 3000-KG, GP, NASR-3000

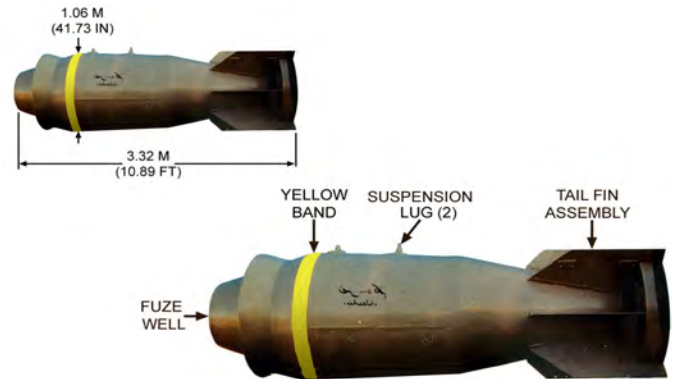
Ordnance used with:  
UNKNOWN, BOMB NOSE, TYPE UNKNOWN



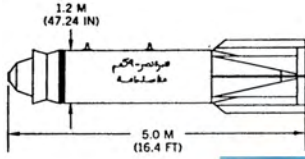
N.E.W. 1350.00 KG

## IRAQI BOMB, 5000-KG, GP, NASR-5000

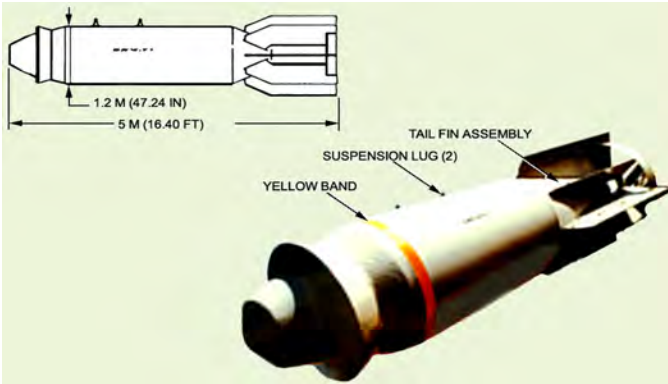
Ordnance used with:  
UNKNOWN, BOMB NOSE, TYPE UNKNOWN



## EGYPTIAN BOMB, 9000-KG, GP, NASR-9000



## IRAQI BOMB, 9000-KG, GP, NASR-9000



Ordnance used with:  
UNKNOWN, BOMB NOSE, TYPE UNKNOWN

## U.S.S.R. GUIDED MISSILE, SURFACE-TO-AIR, SA-16 AND PRACTICE (GIMLET)

Ordnance used with:  
SA-16 GIMLET, 9M313, IGLA-1, SURFACE-TO-AIR  
9K310E SYSTEM, SA-16 MISSILE

